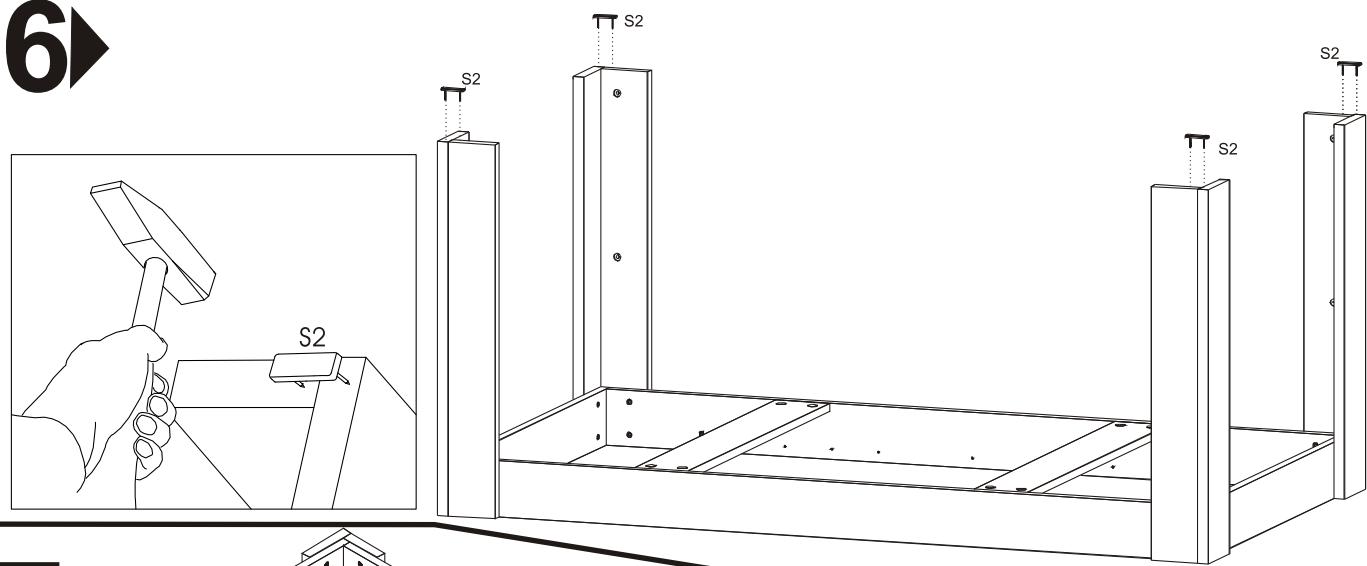
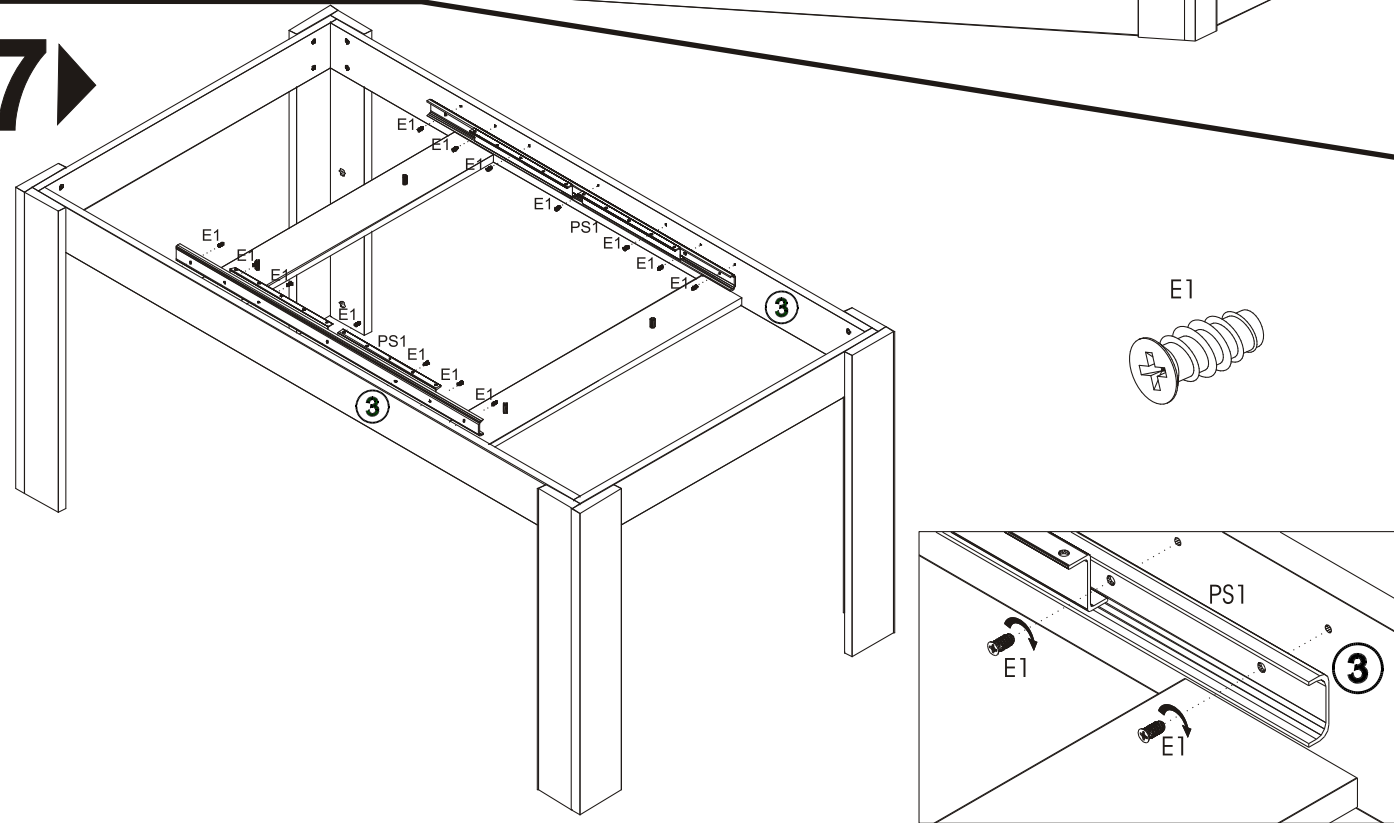


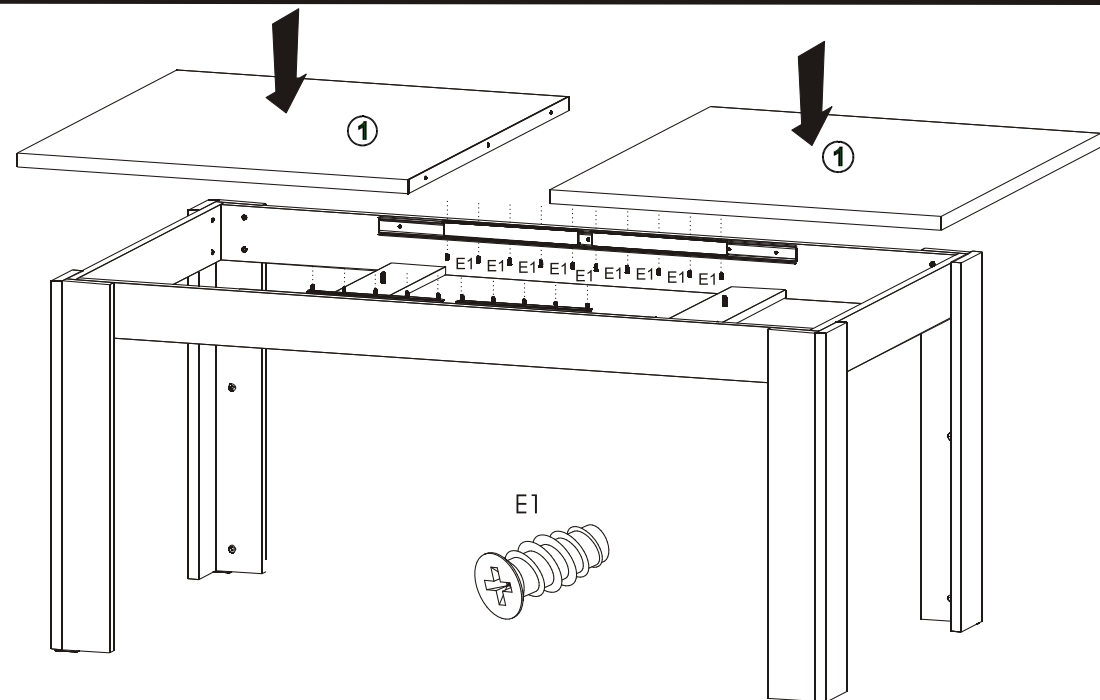
6



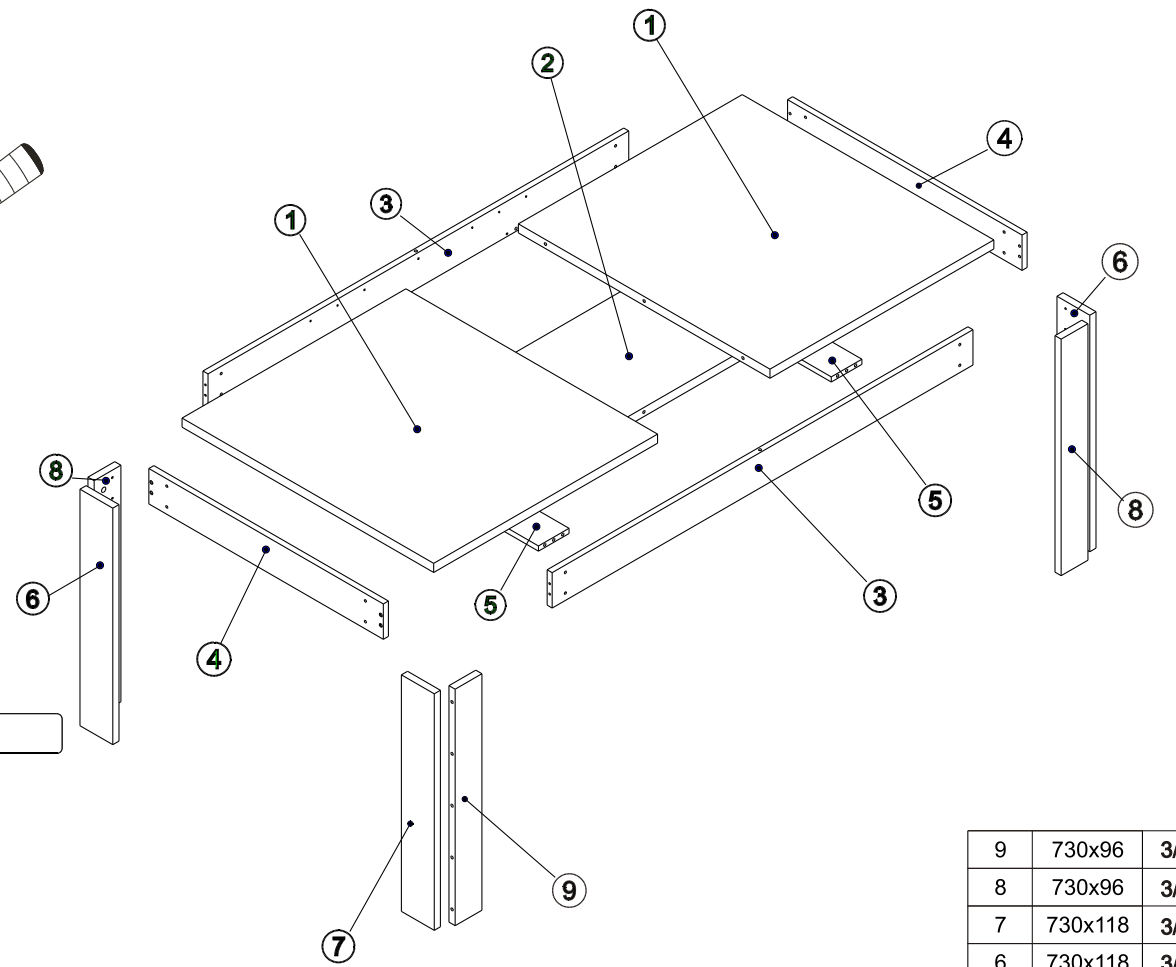
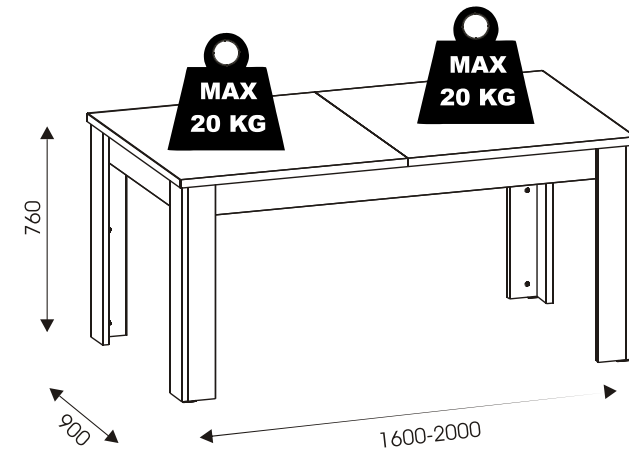
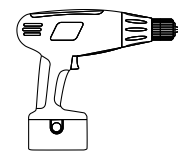
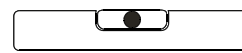
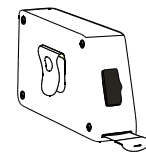
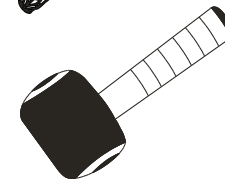
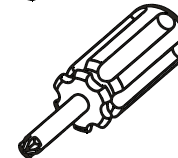
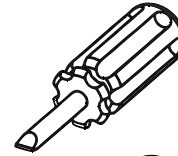
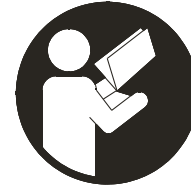
7



8

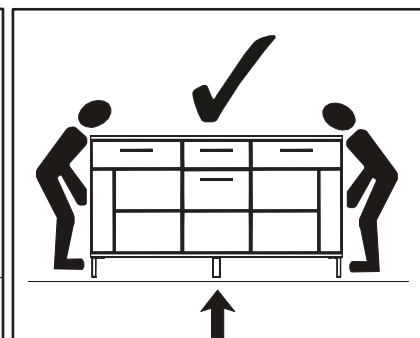
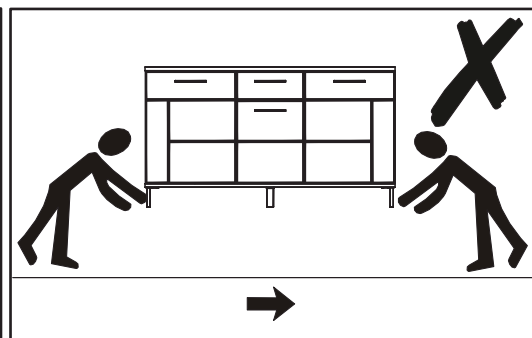
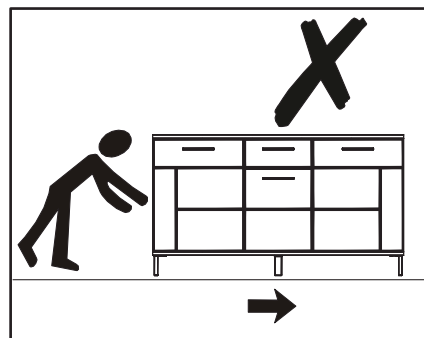
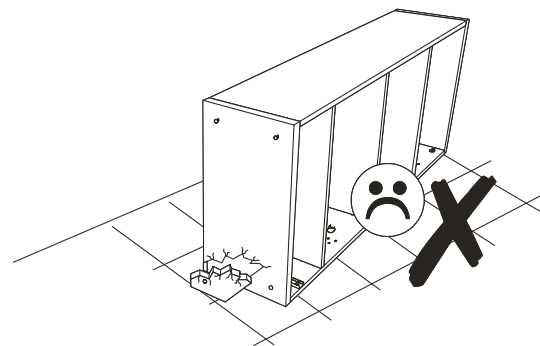
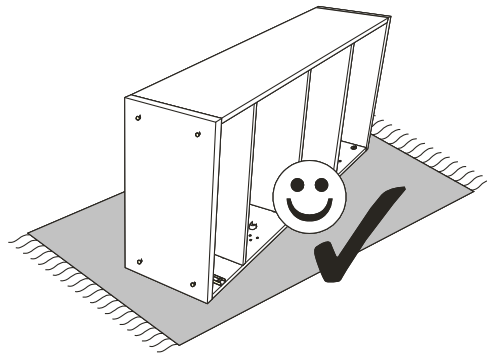
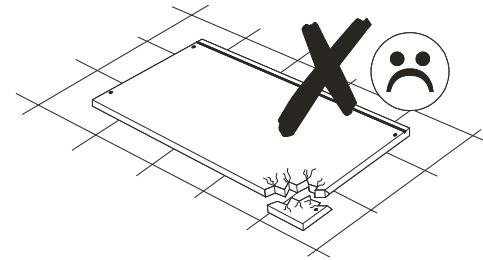
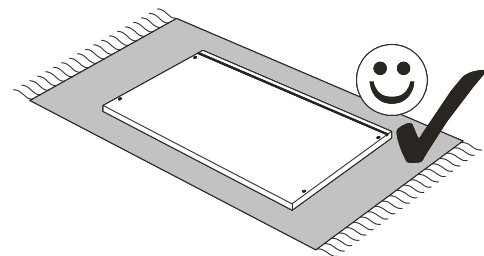
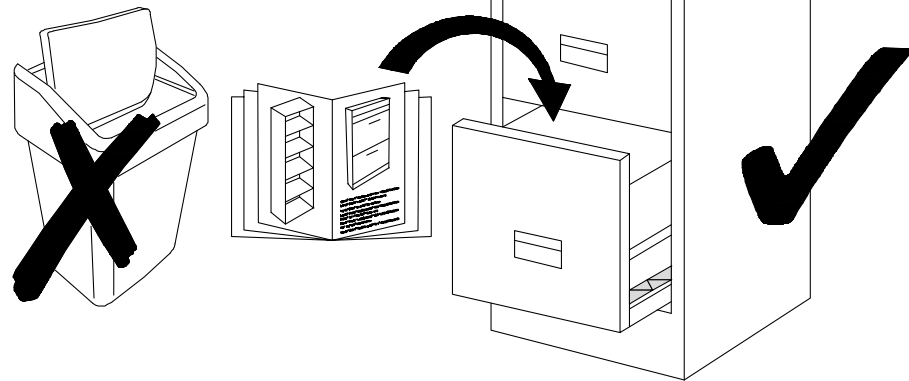


MODELL: Y15

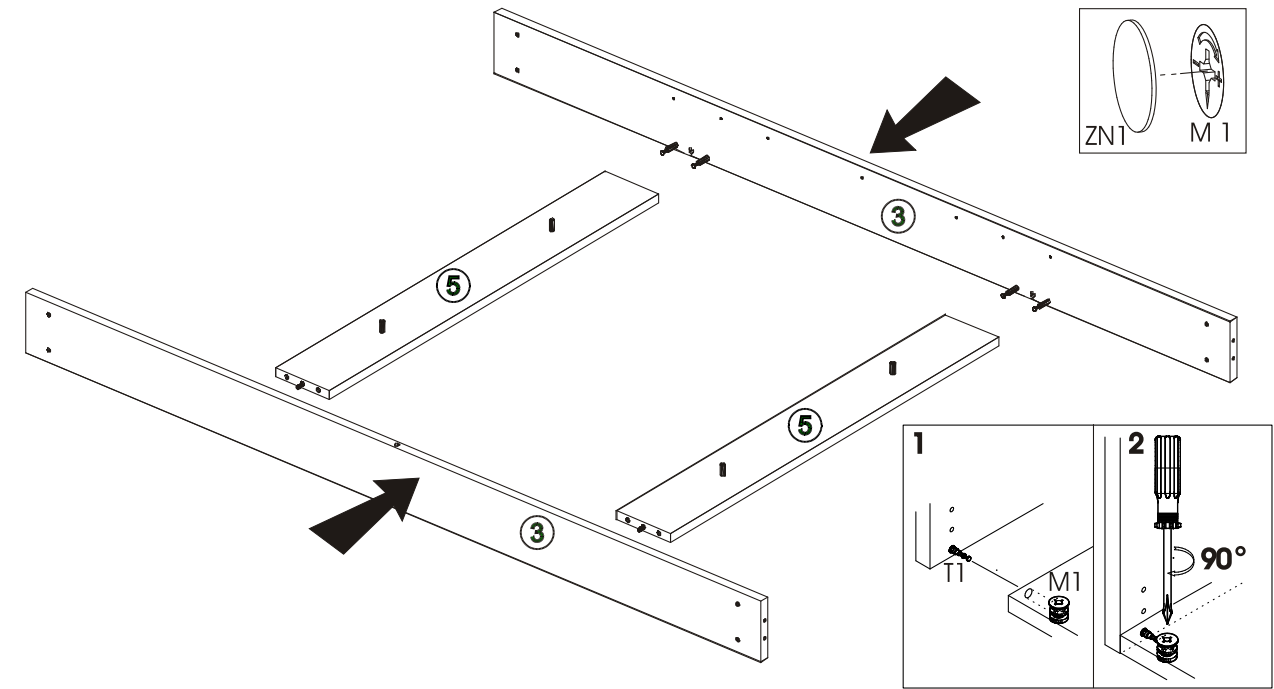


9	730x96	3/3
8	730x96	3/3
7	730x118	3/3
6	730x118	3/3
5	788x110	2/3
4	820x110	2/3
3	1488x110	2/3
2	900x400	1/3
1	900x800	1/3

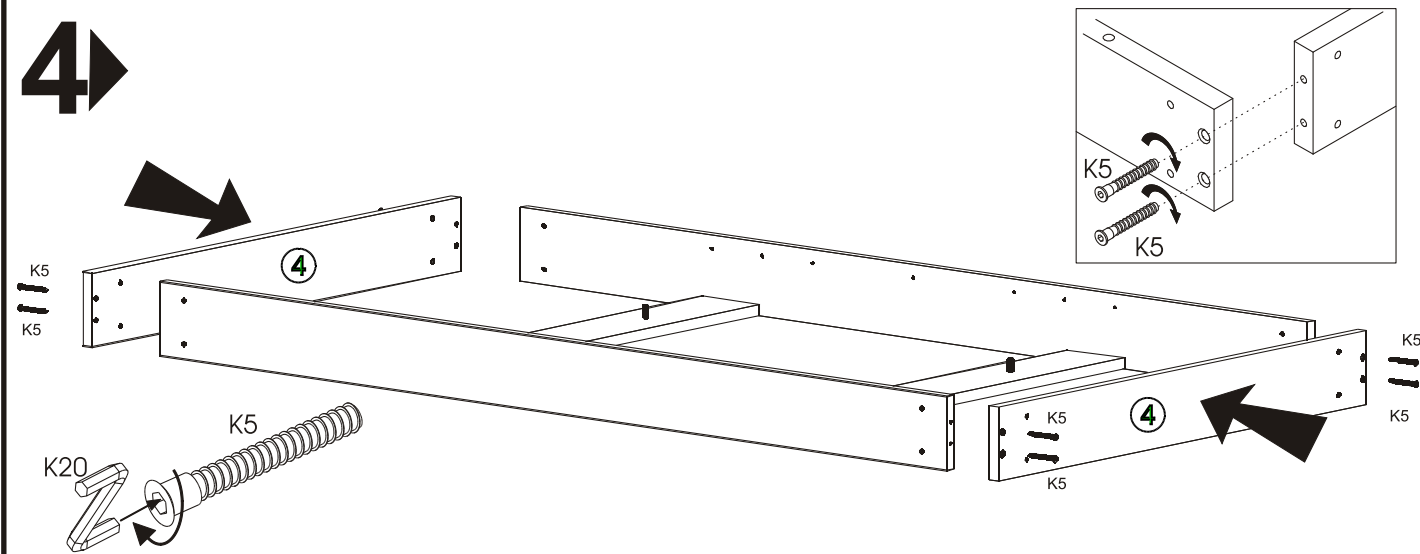
16x #20/863 ZN1	6x KU1	4x H1	8x 4x13 WP2	16x #20/089 ZN2
4x S2	18x 8x30 K1	8x 6.4x50 K5	1x K20	20x #15/15 M1
			20x DU232T T1	34x 5x11 E1
				16x 7x28 K6
				1x #850 PS1



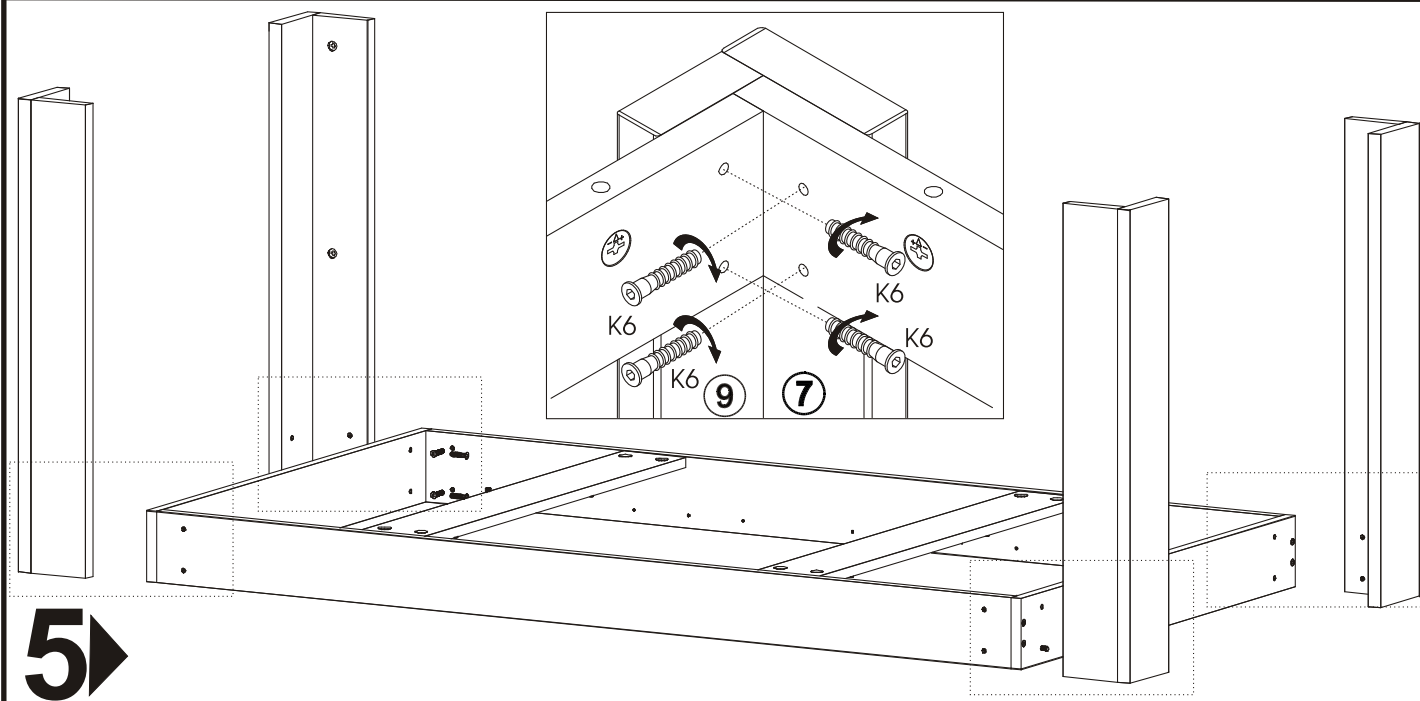
3

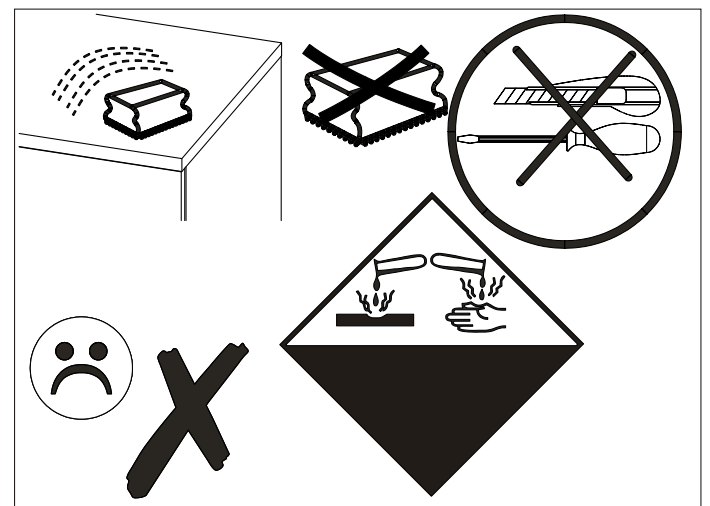
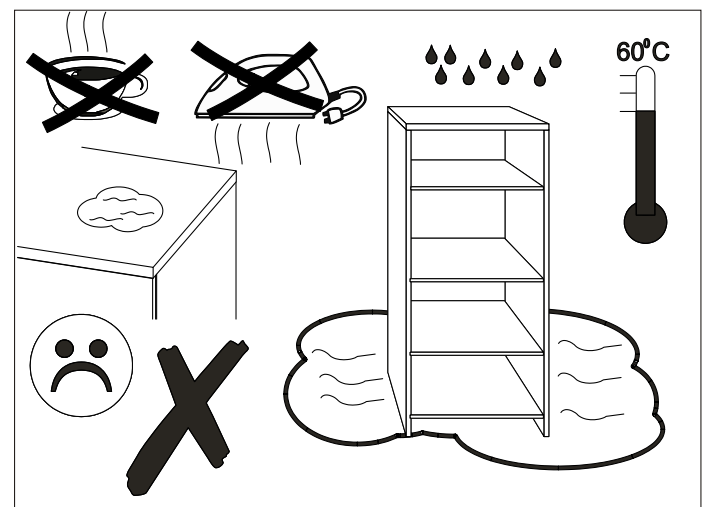
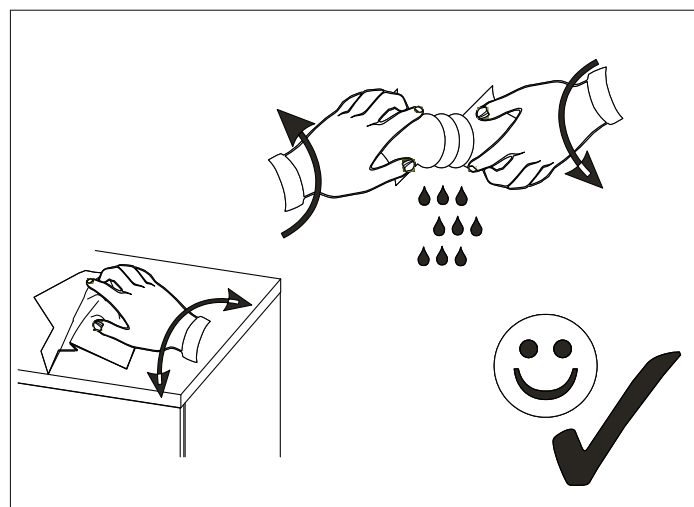
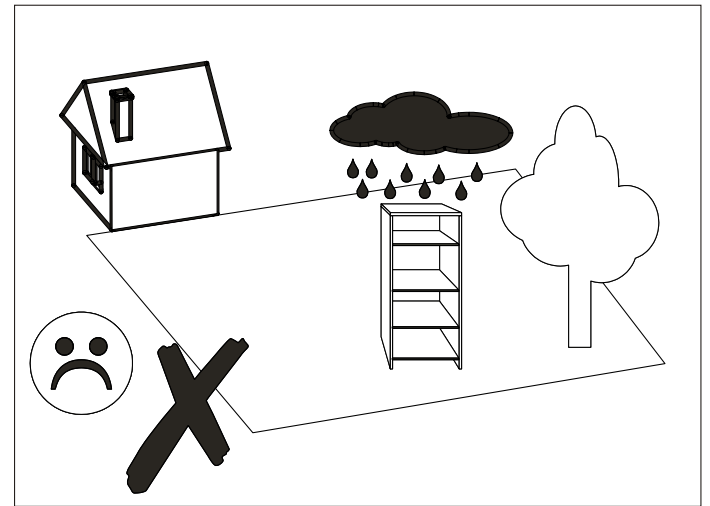
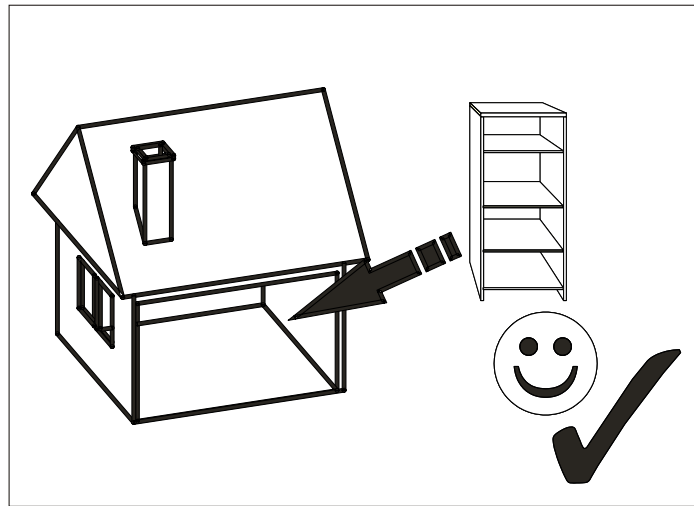


4

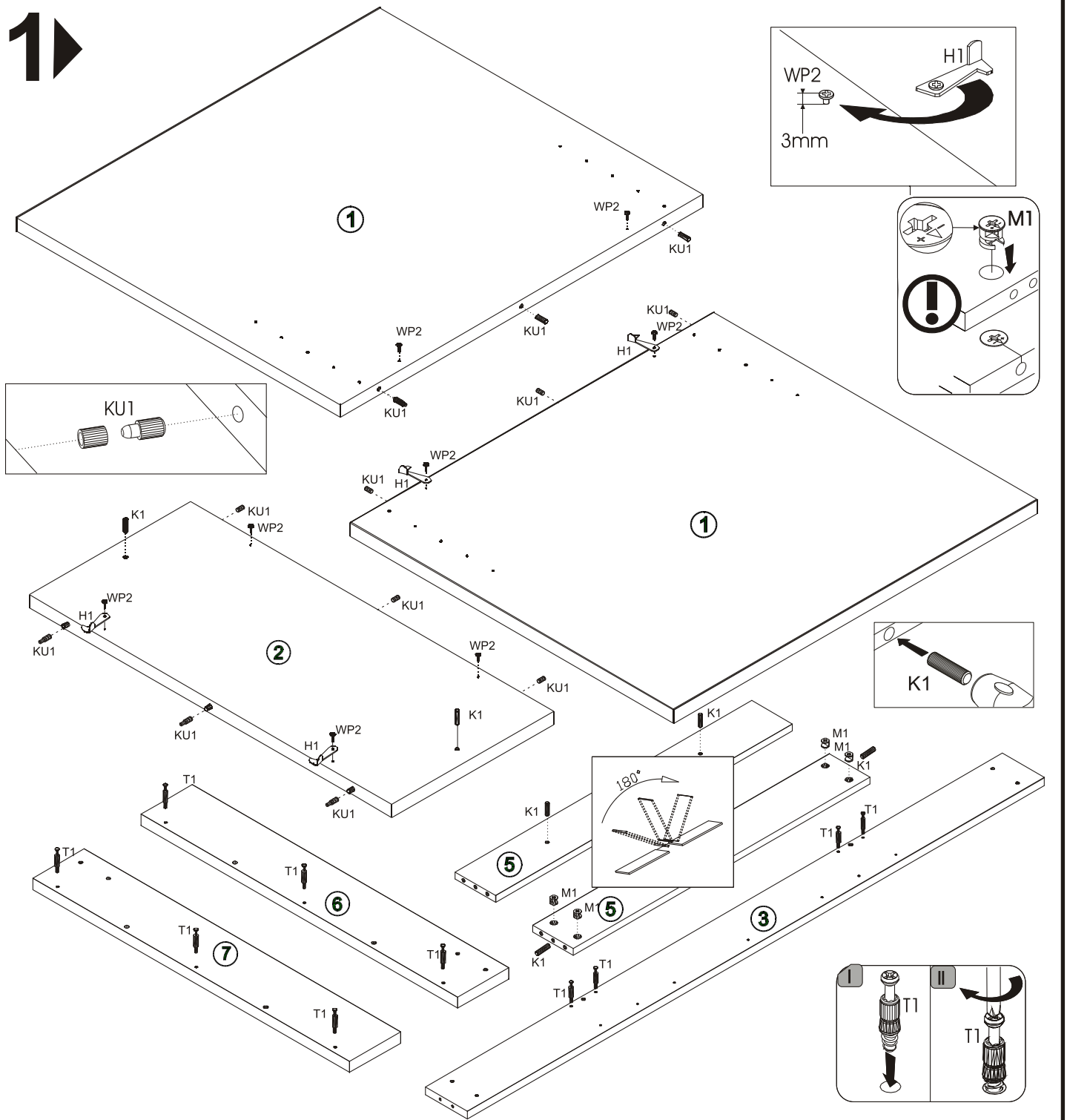


5





1



2

