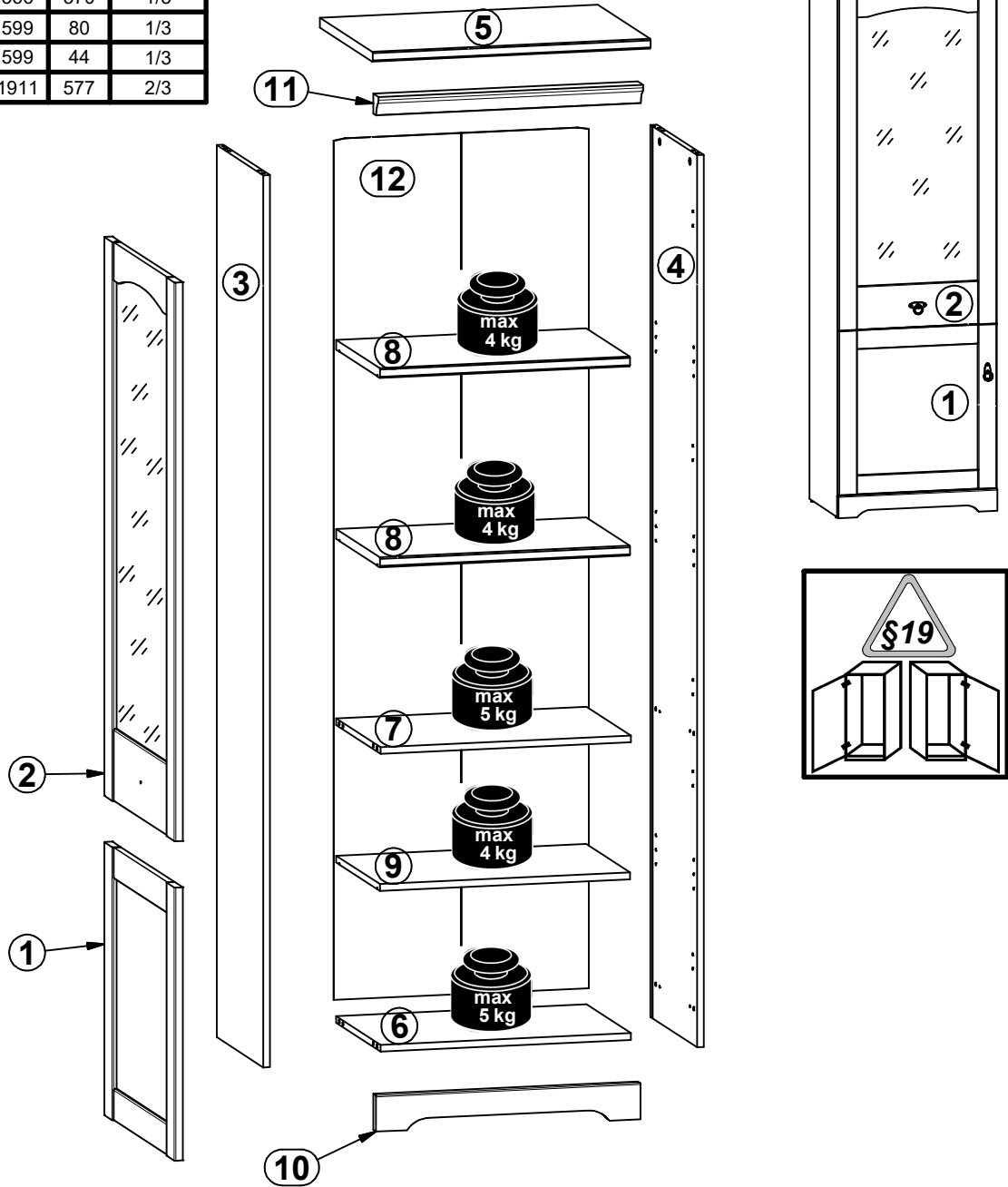
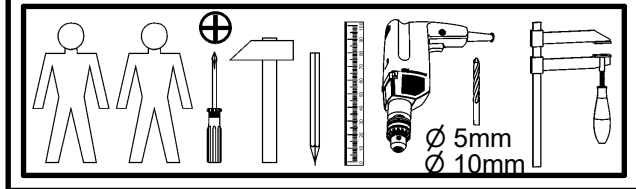


**A**

# PATRAS

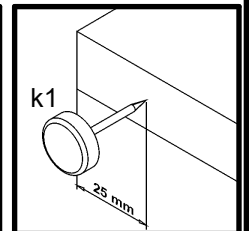
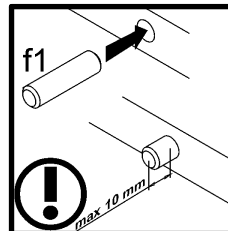
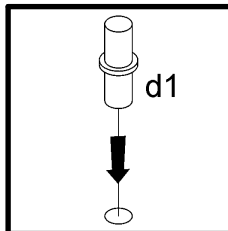
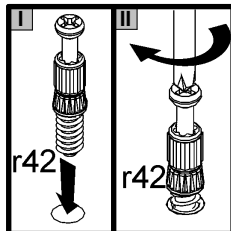
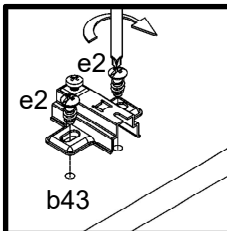
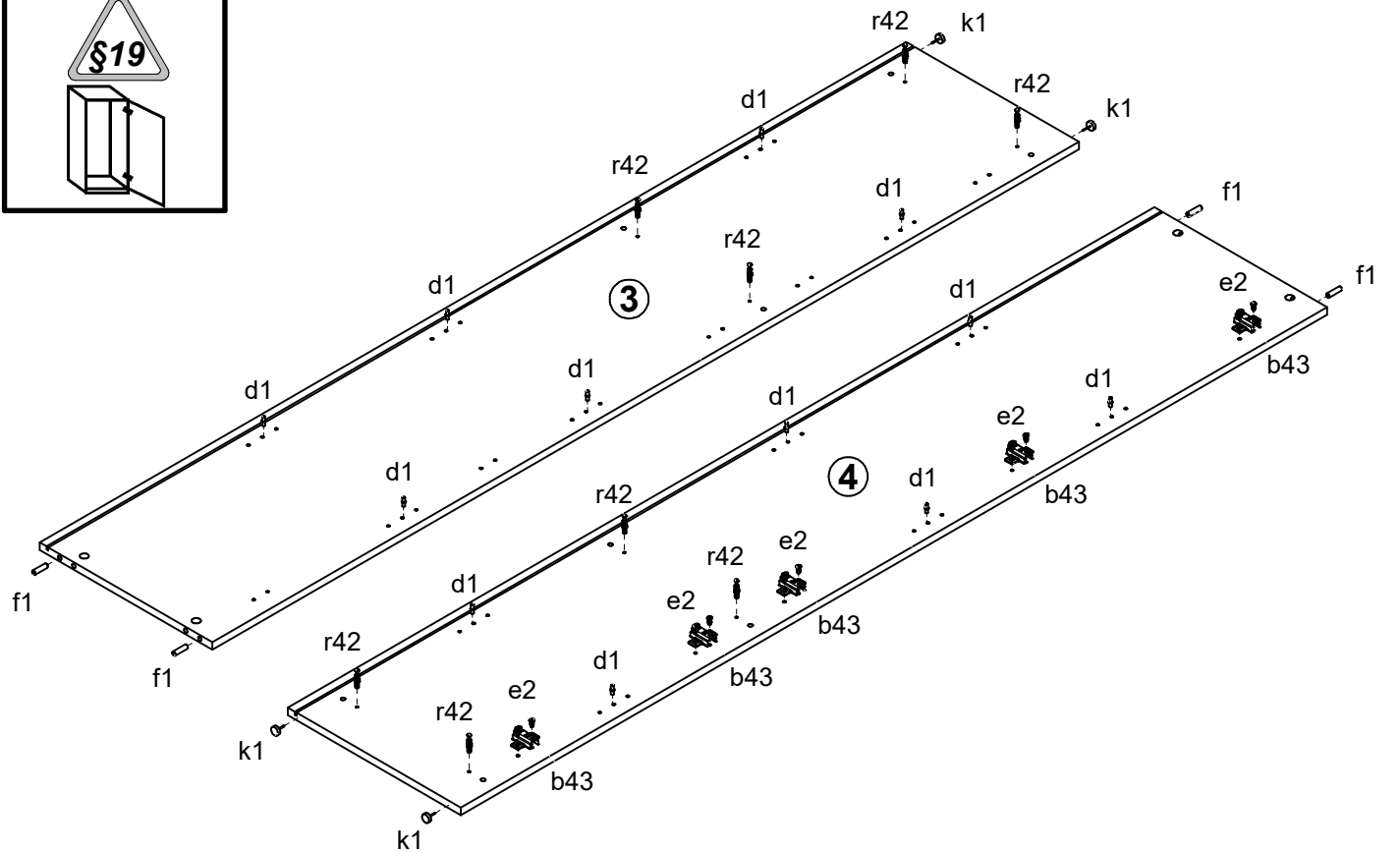
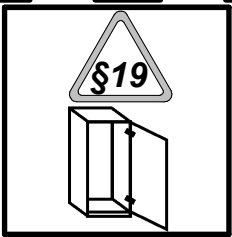
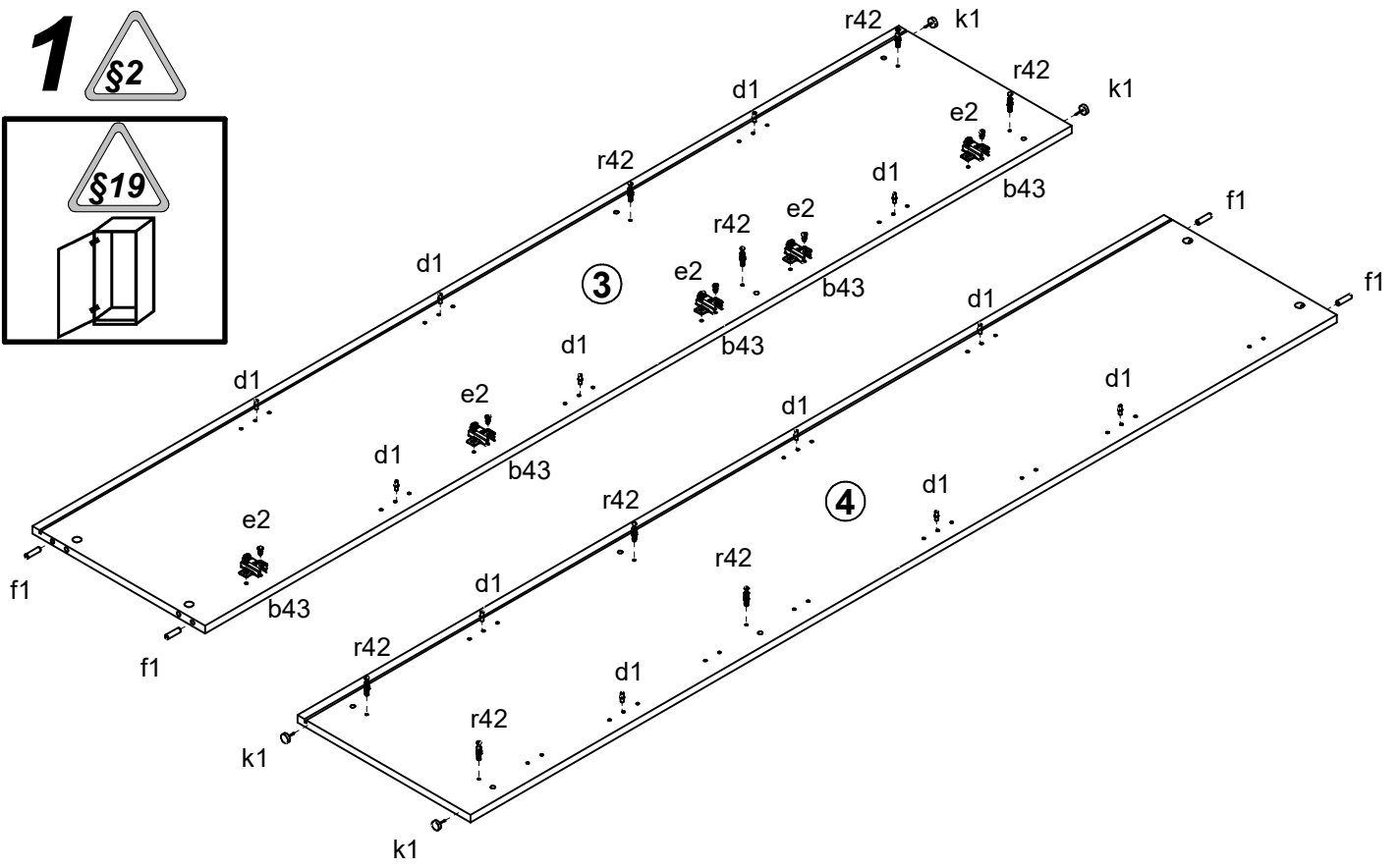
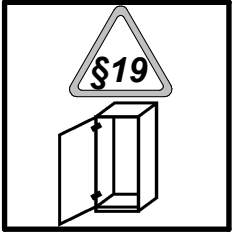
**S405-REG1D1W\_63**

A	B	C	D	
1	S405-0008	606	596	3/3
2	S405-0009	1240	596	3/3
3	S405-1010	1980	395	2/3
4	S405-1011	1980	395	2/3
5	S405-2003	629	445	1/3
6	S405-3004	567	375	1/3
7	S405-3005	567	375	1/3
8	S405-3006	566	370	1/3
9	S405-3007	566	370	1/3
10	S405-5006	599	80	1/3
11	S405-5007	599	44	1/3
12	S405-9304	1911	577	2/3

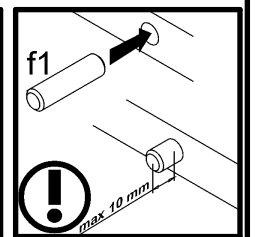
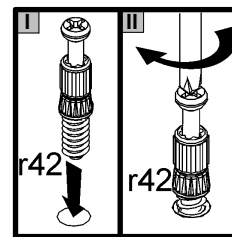
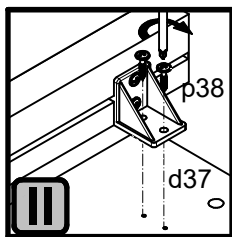
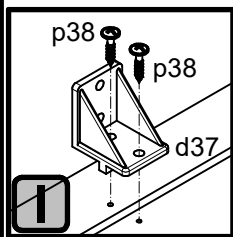
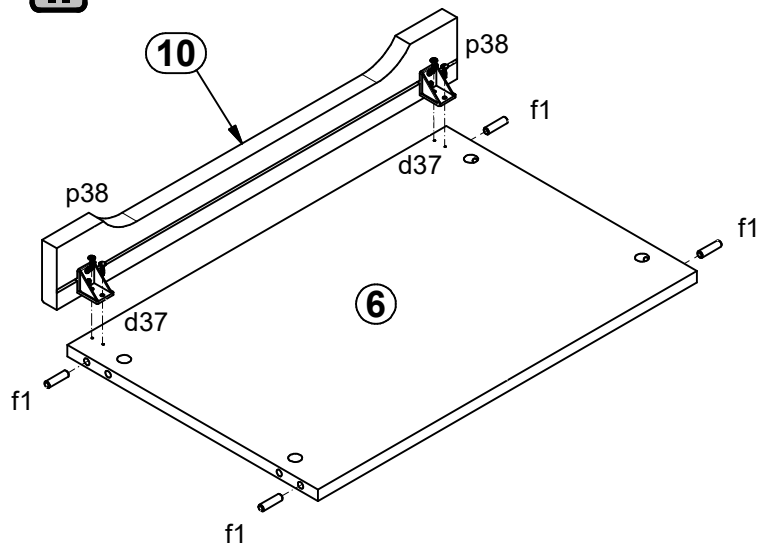
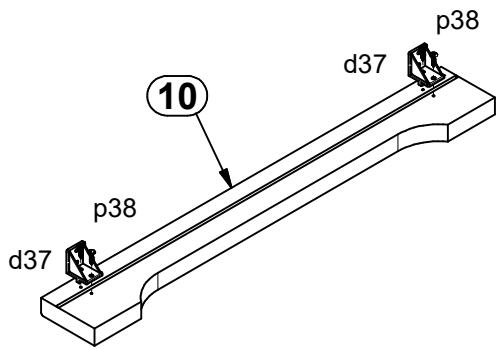
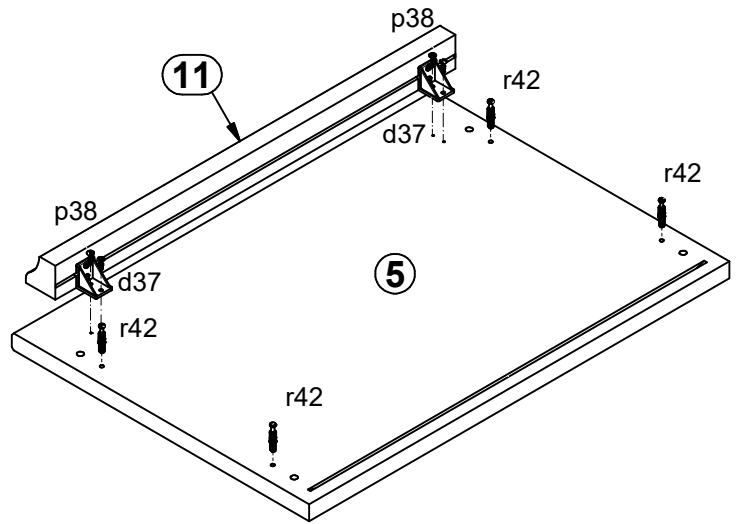
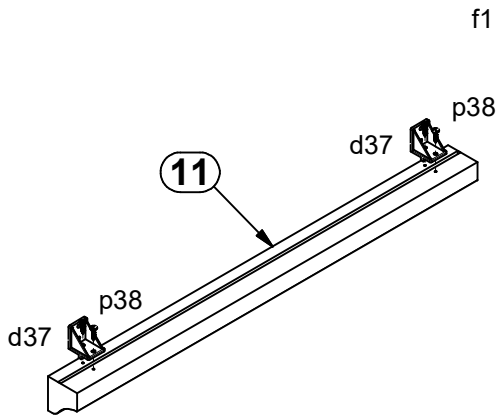
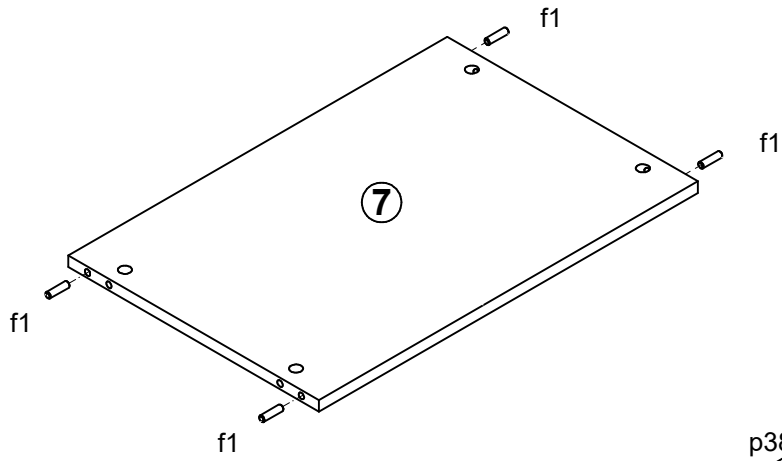


2x  a133	5x  a158	5x  b43	2x  c477.1	2x  c477.2	12x  d1	4x  d37	10x  e2	12x  f1
1x  f35	1x  j8	1x  j30	4x  k1	15x  l1	14x  l2	1x  n14.2	1x  p17	18x  p38
10x  p51	12x  r1	12x  r42	4x  s2	3x  s71				

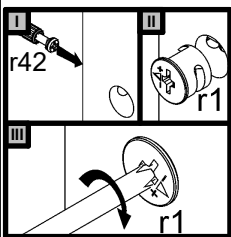
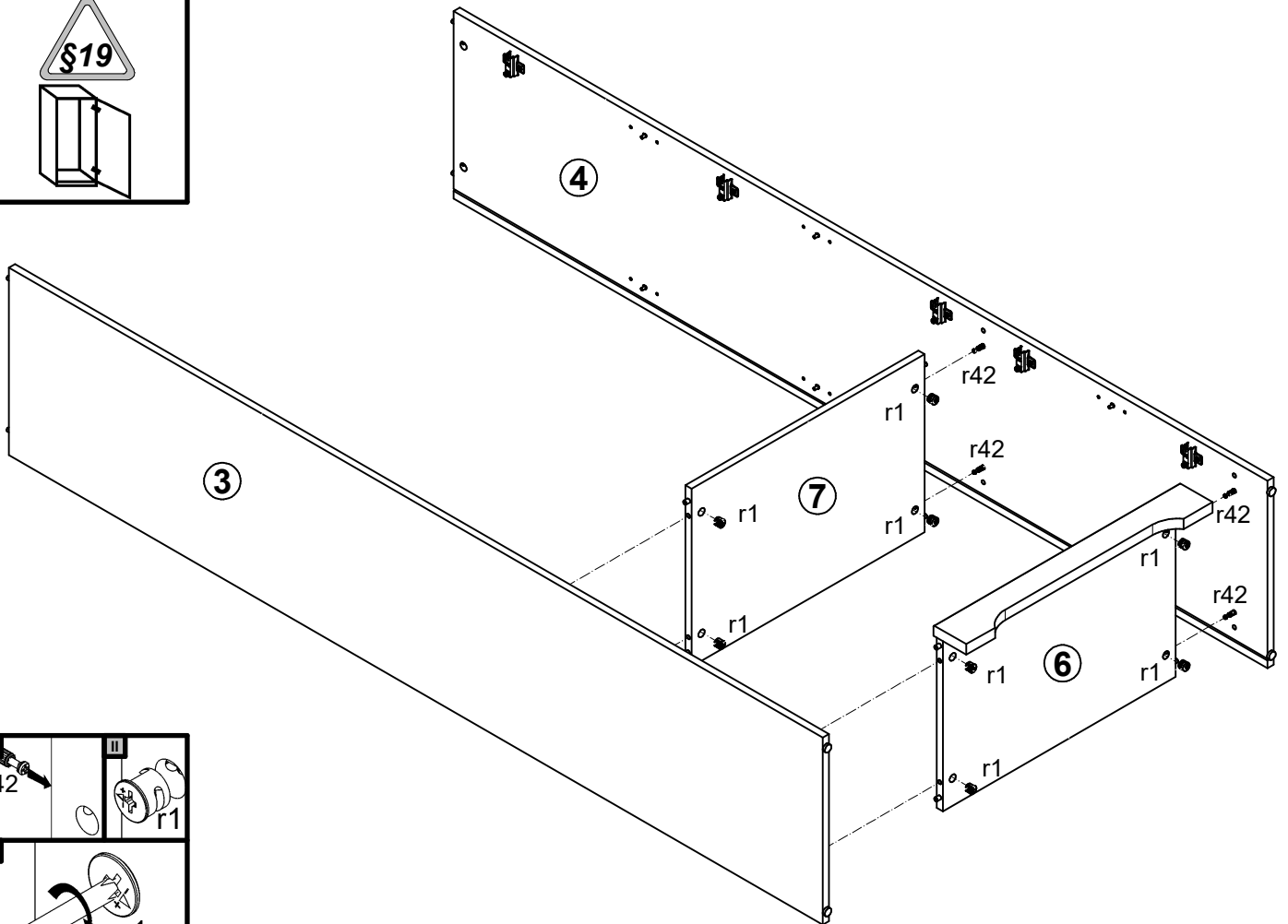
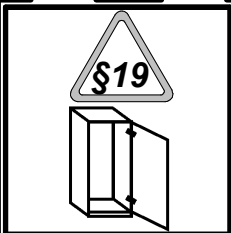
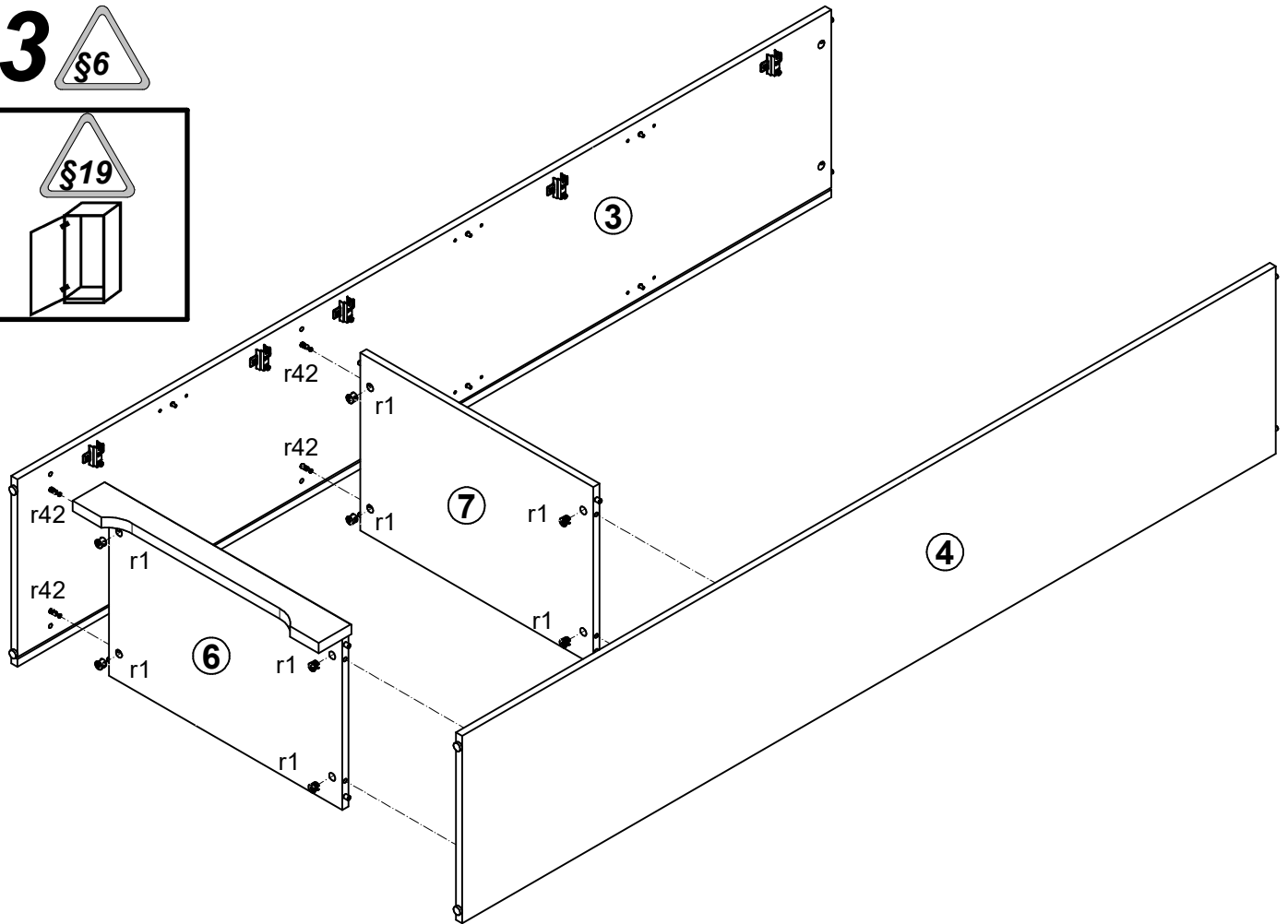
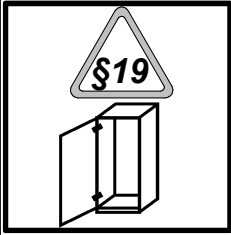
**1** §2



# 2

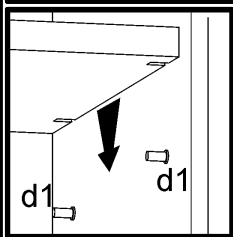
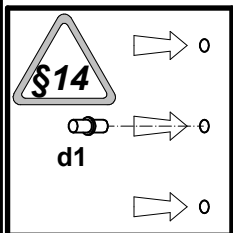
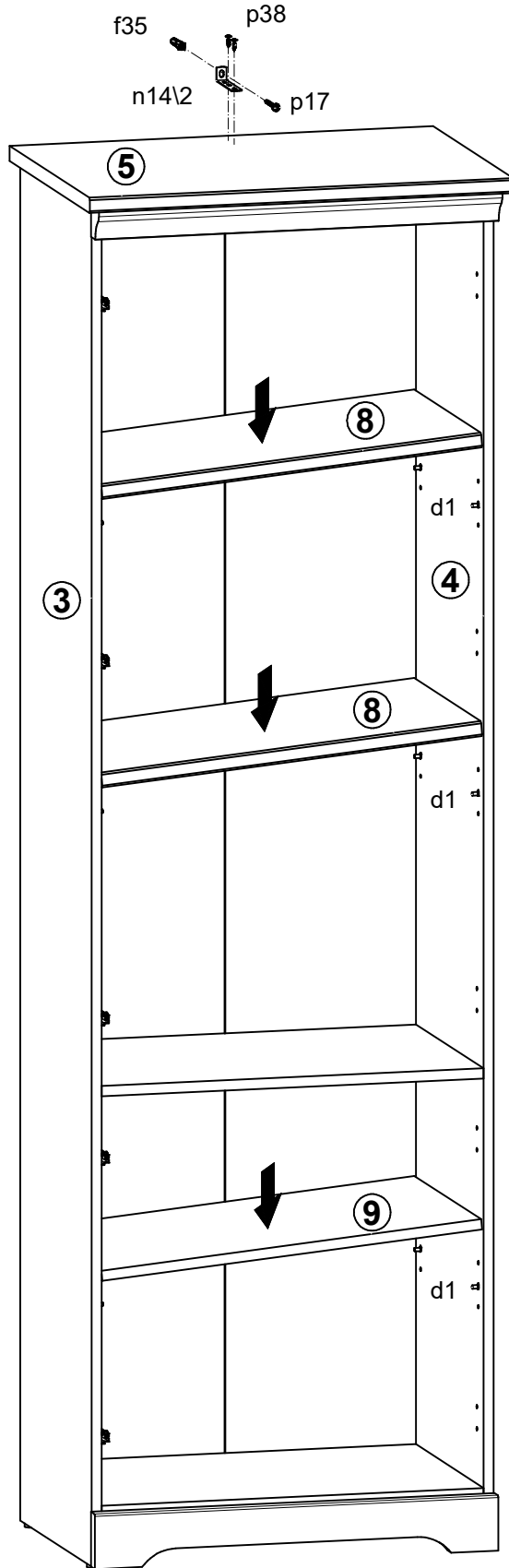
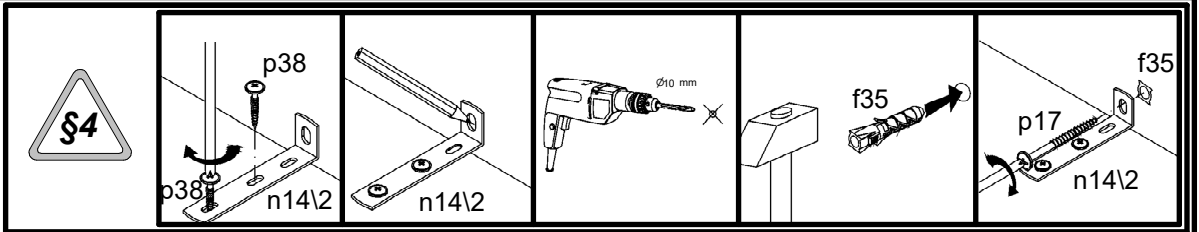


**3** §6





# 5



# 6

