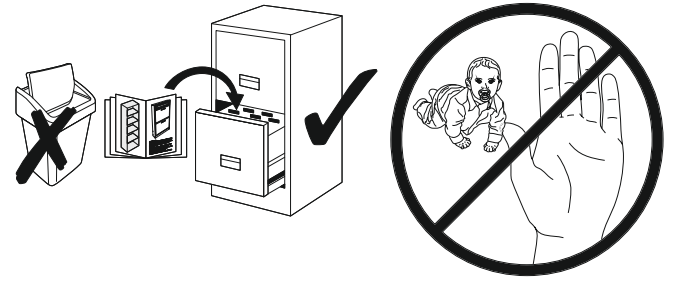
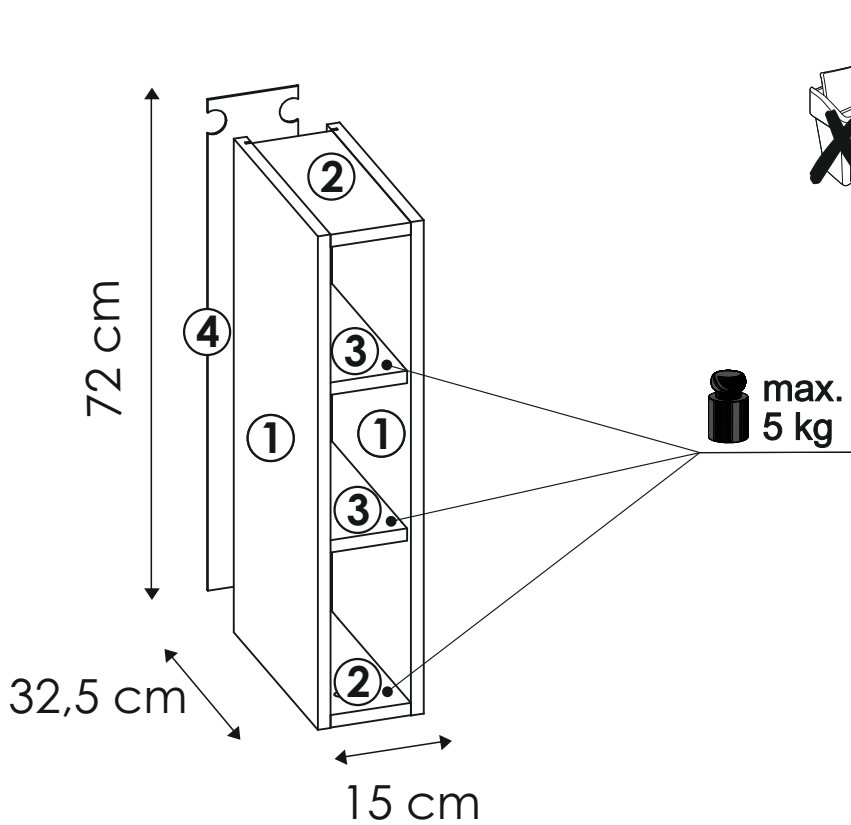
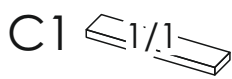
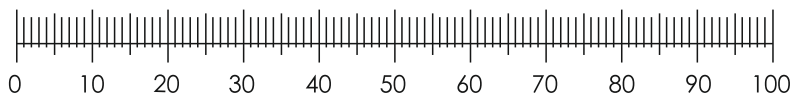


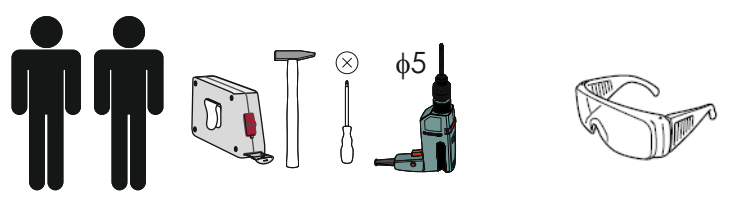
# 2 W1 15



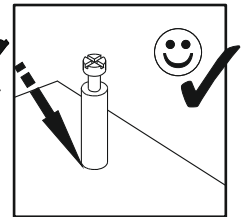
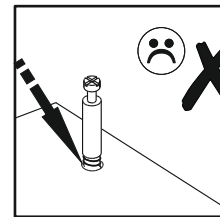
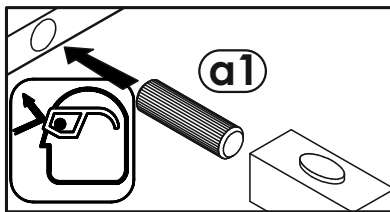
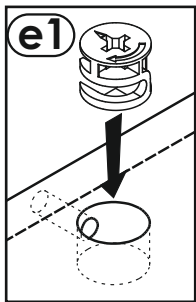
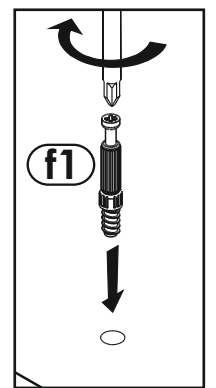
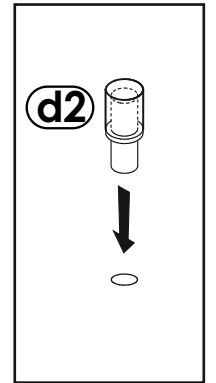
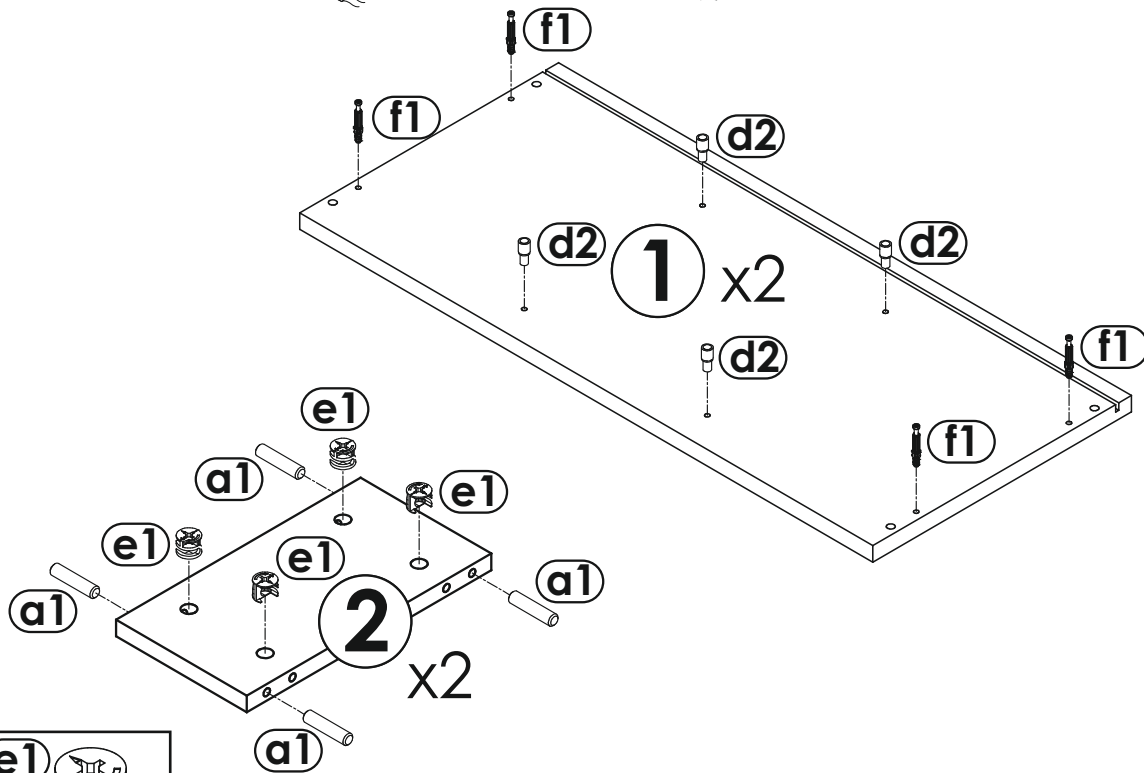
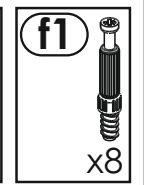
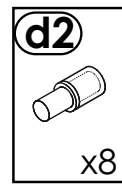
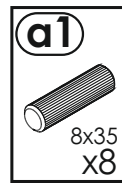
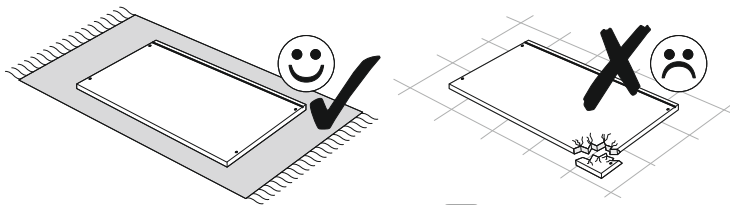
<b>a1</b>  8x35 x....(x8)	<b>d2</b>  x....(x8)	<b>e0</b>  x....(x8)	<b>e1</b>  x....(x8)	<b>f1</b>  x....(x8)	<b>i5</b>  3,5x30 x....(x4)	<b>m</b>  x....(x1)	<b>n1</b>  3x16 x....(x5)	<b>p8</b>  x....(x1)	<b>r4</b>  x....(x6)
------------------------------------	----------------------------	----------------------------	----------------------------	----------------------------	--------------------------------------	---------------------------	------------------------------------	----------------------------	----------------------------



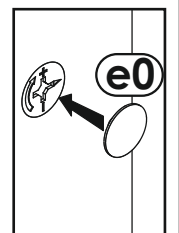
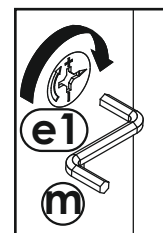
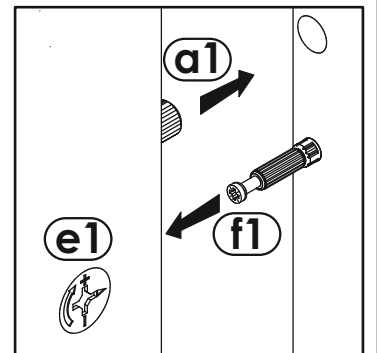
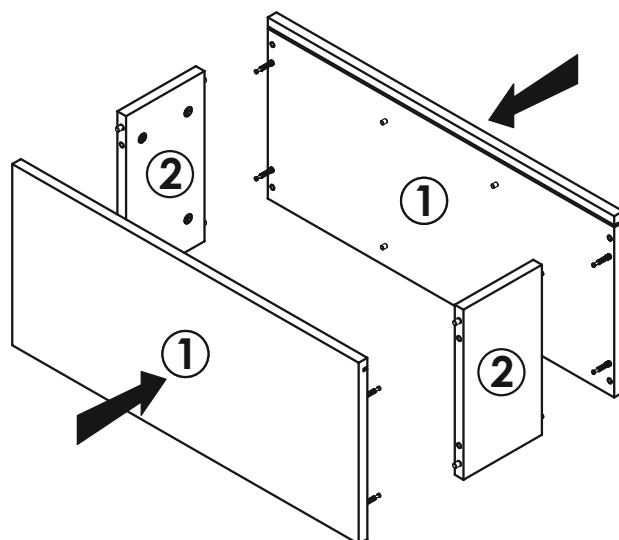
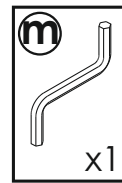
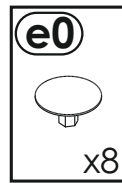
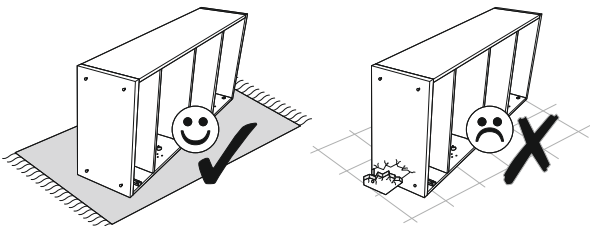
- ① -C1
- ② -C1
- ③ -C1
- ④ -C1



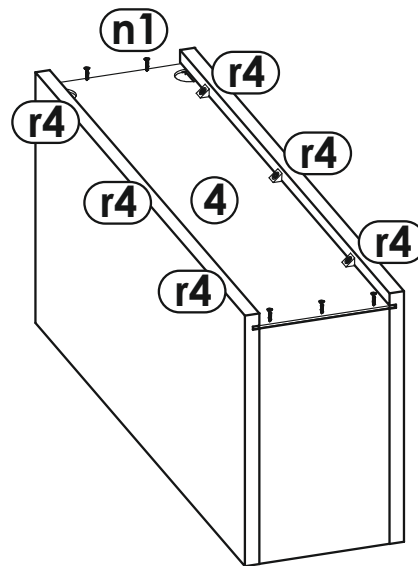
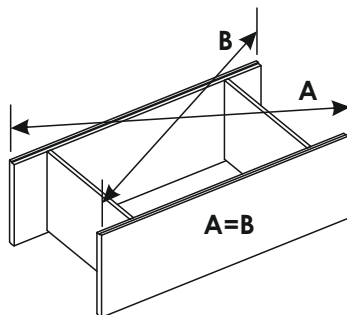
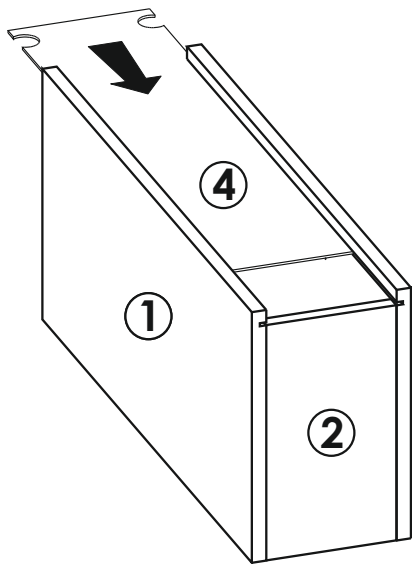
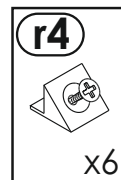
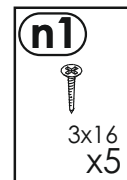
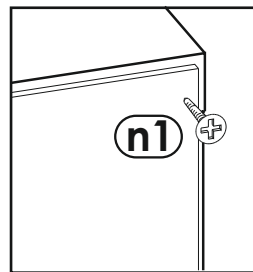
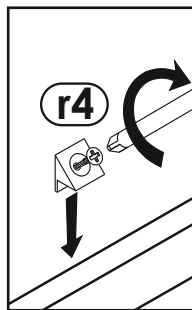
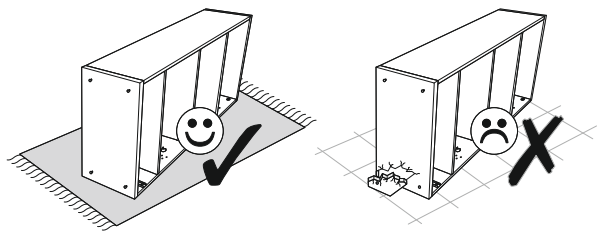
1



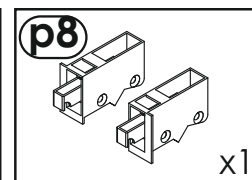
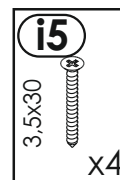
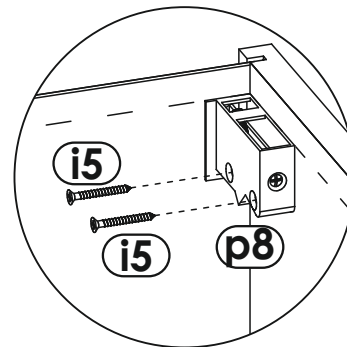
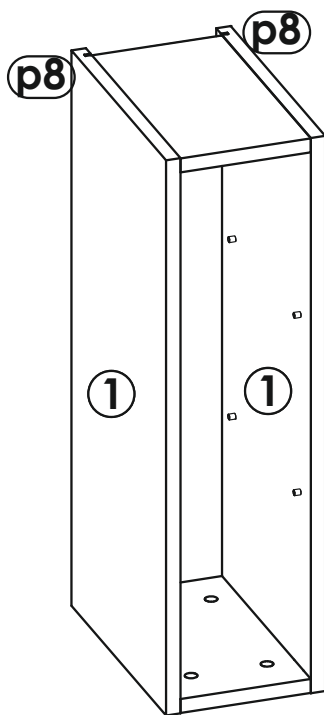
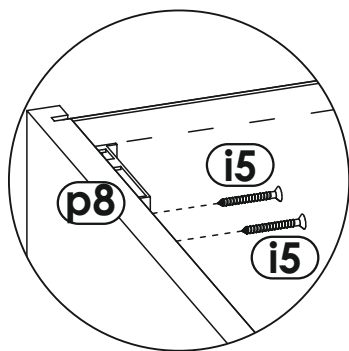
2



**3**



**4**



5

