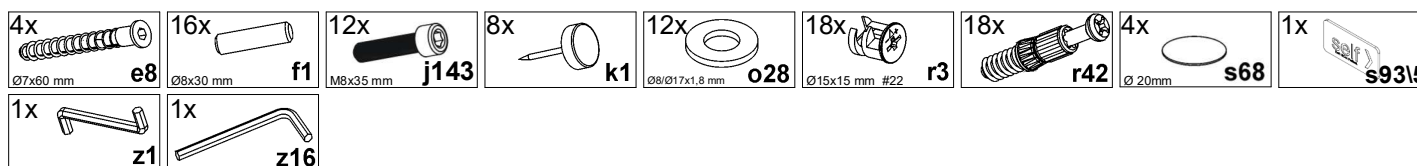
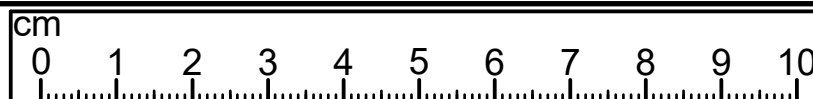


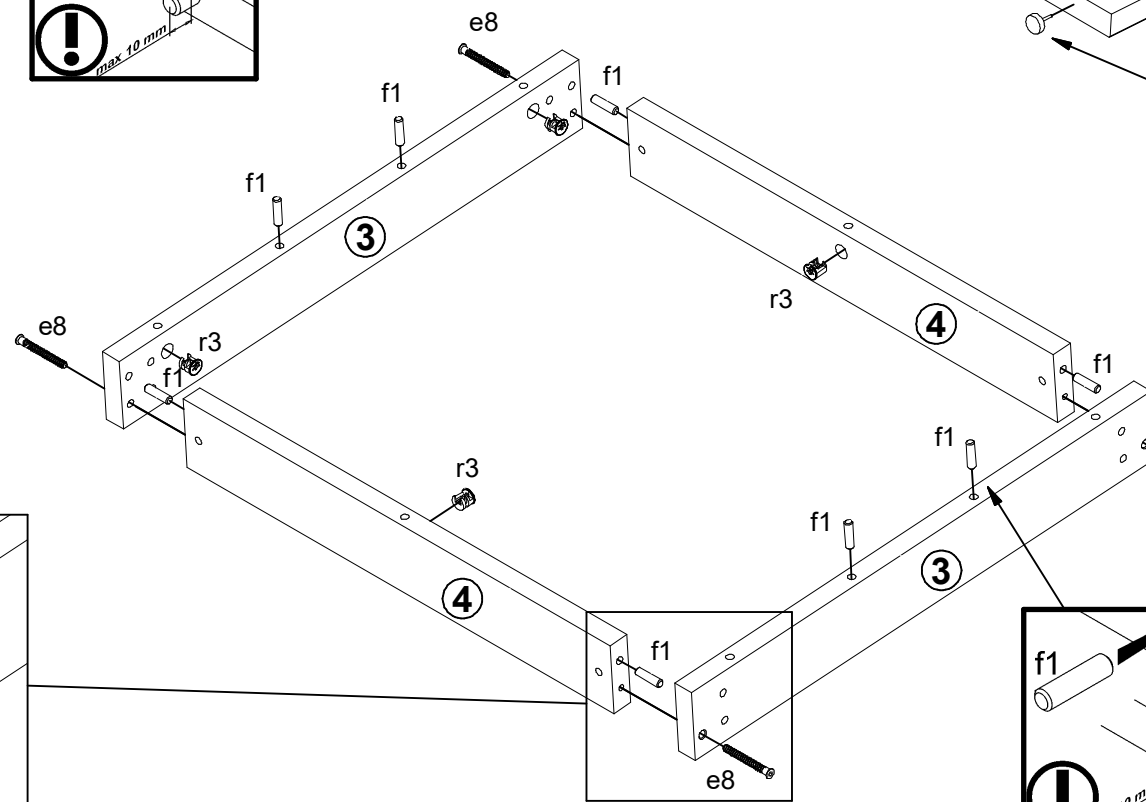
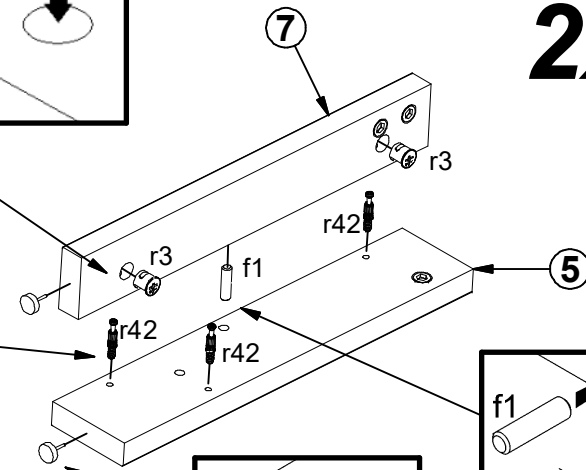
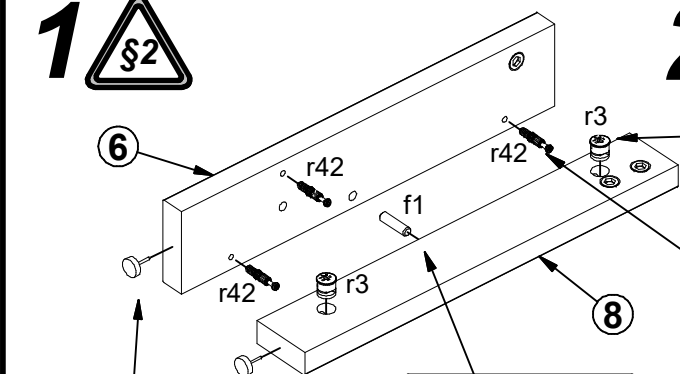
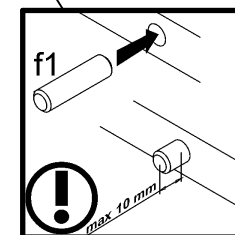
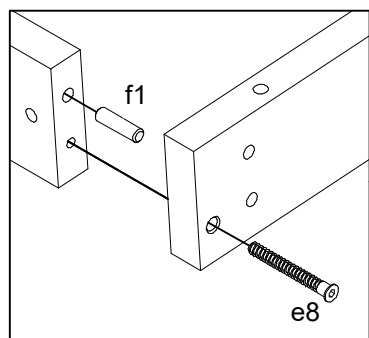
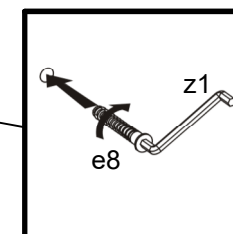
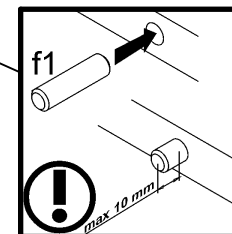
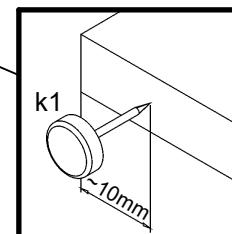
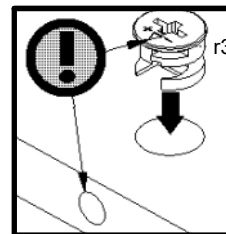
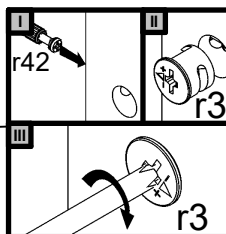
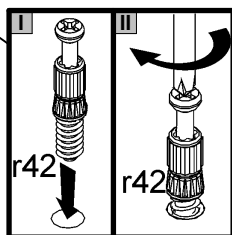
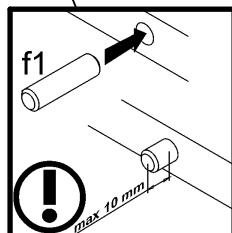
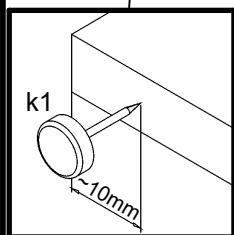
A	B	C1	C2	C3	D
1	S553-2011	750	750	38	1\1
2	S553-3020	603	603	22	1\1
3	S553-4013	603	80	22	1\1
4	S553-4014	559	80	22	1\1
5	S553-5305	393	80	22	1\1
6	S553-5306	393	80	22	1\1
7	S553-5307	393	58	22	1\1
8	S553-5308	393	58	22	1\1





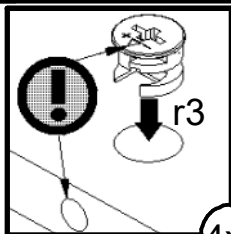
2x

2x

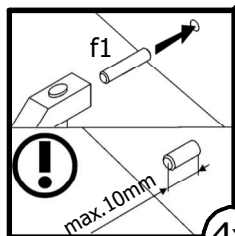
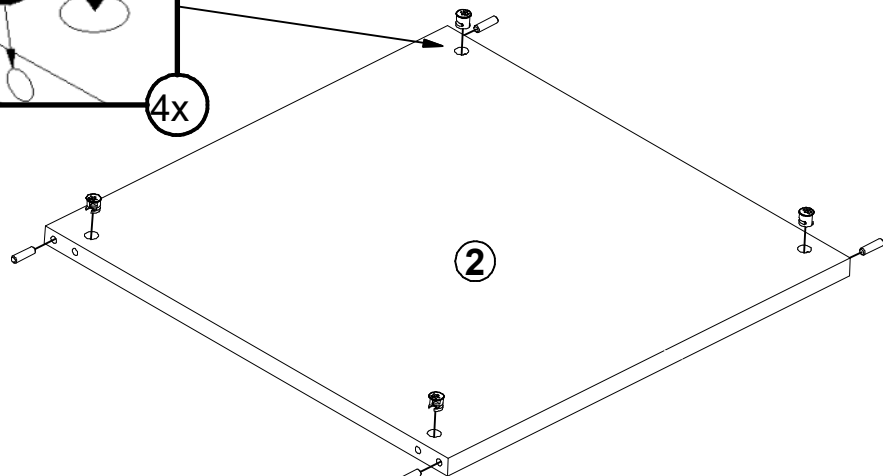


2

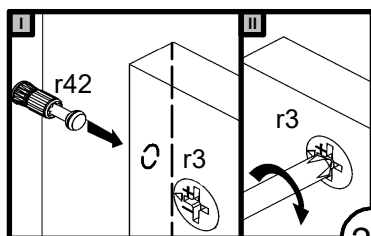
3



4x



4x



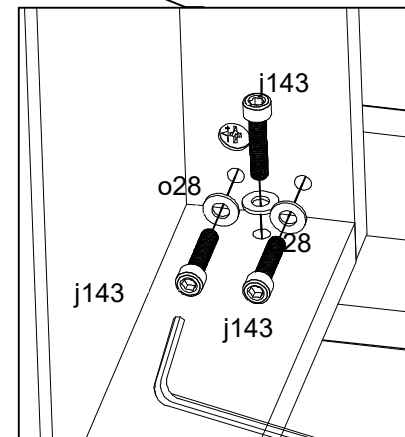
2x

7

5

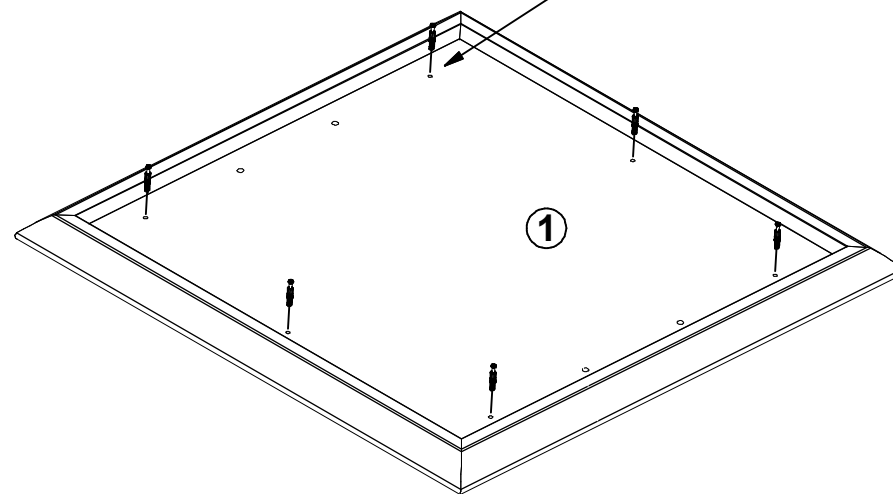
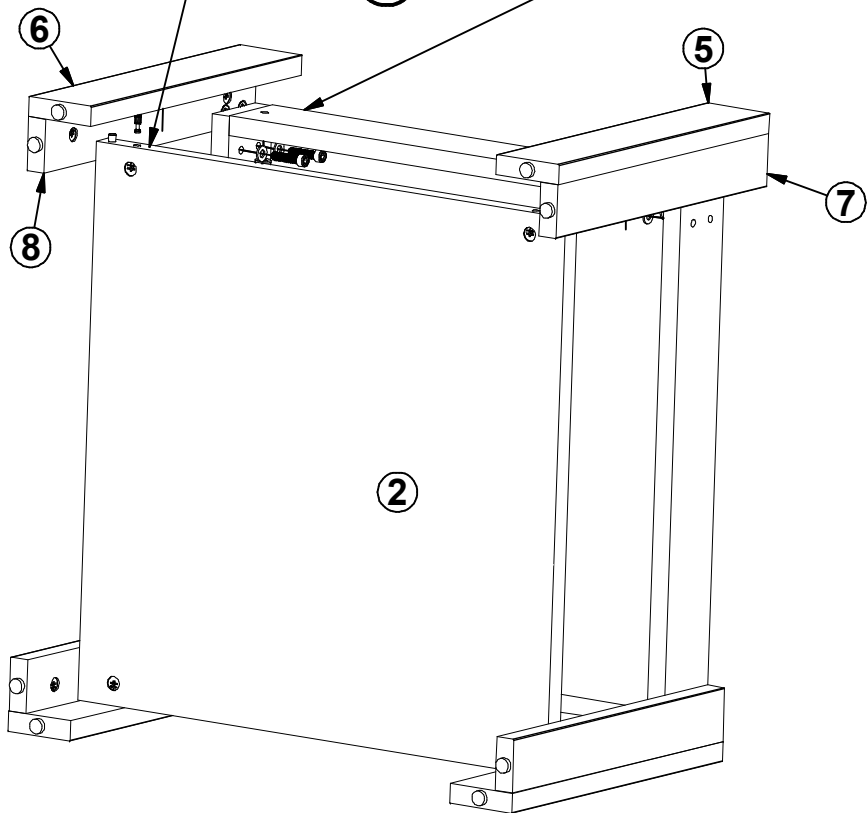
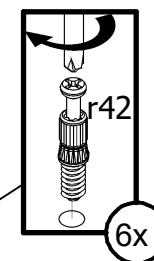
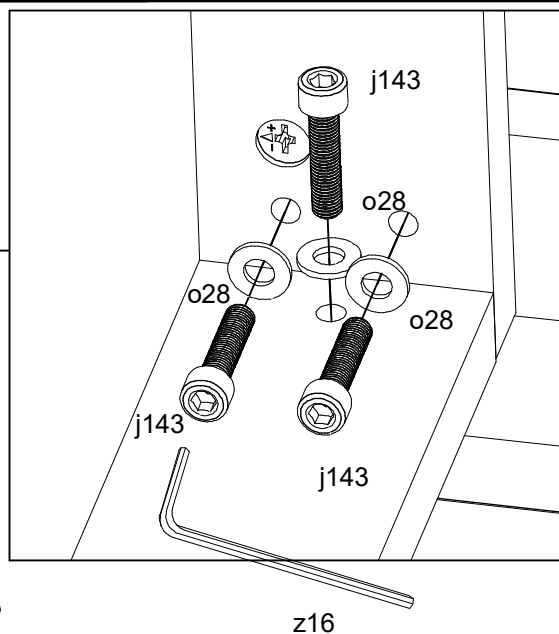
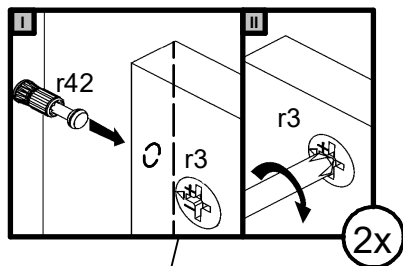
6

8

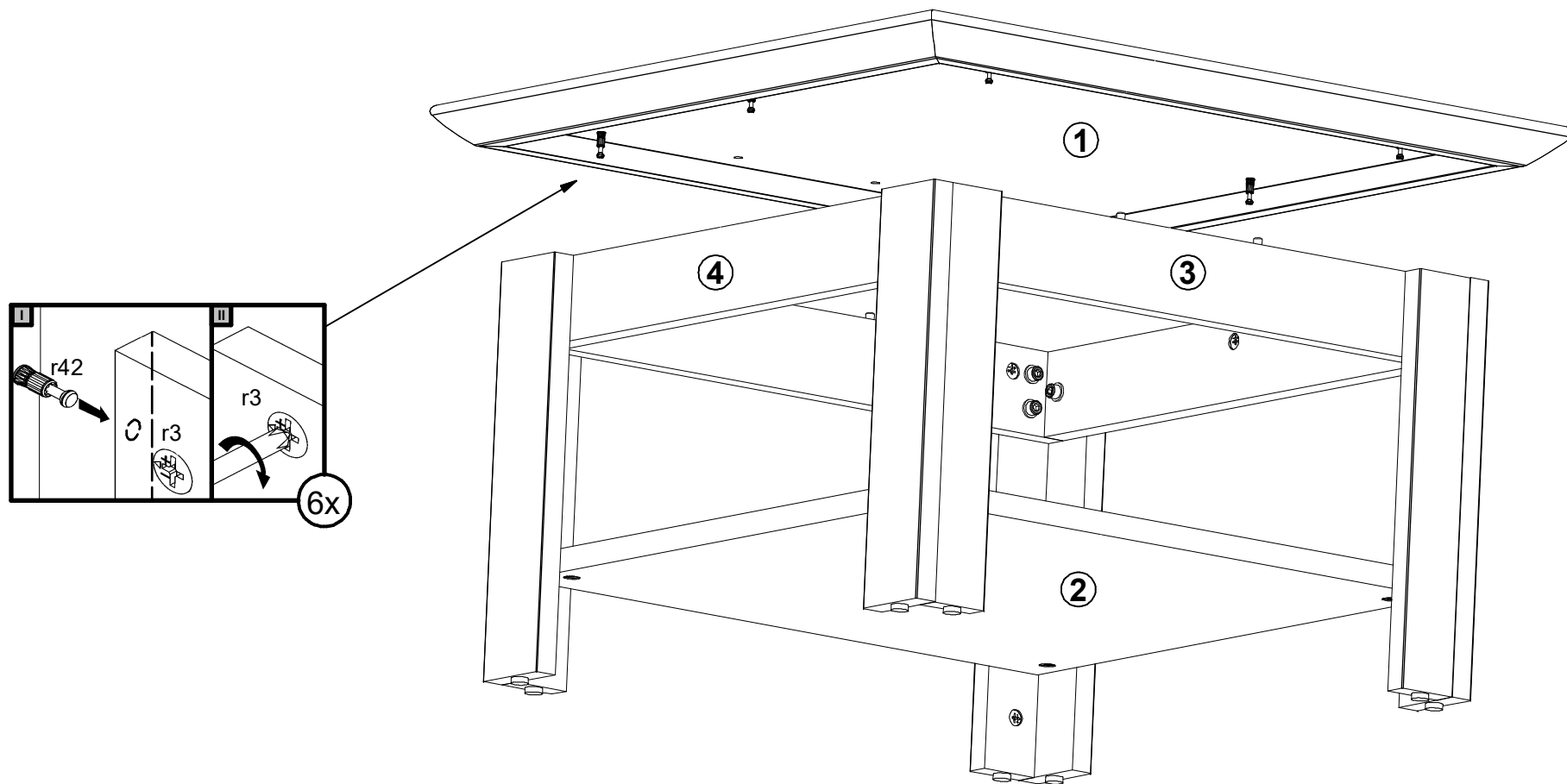


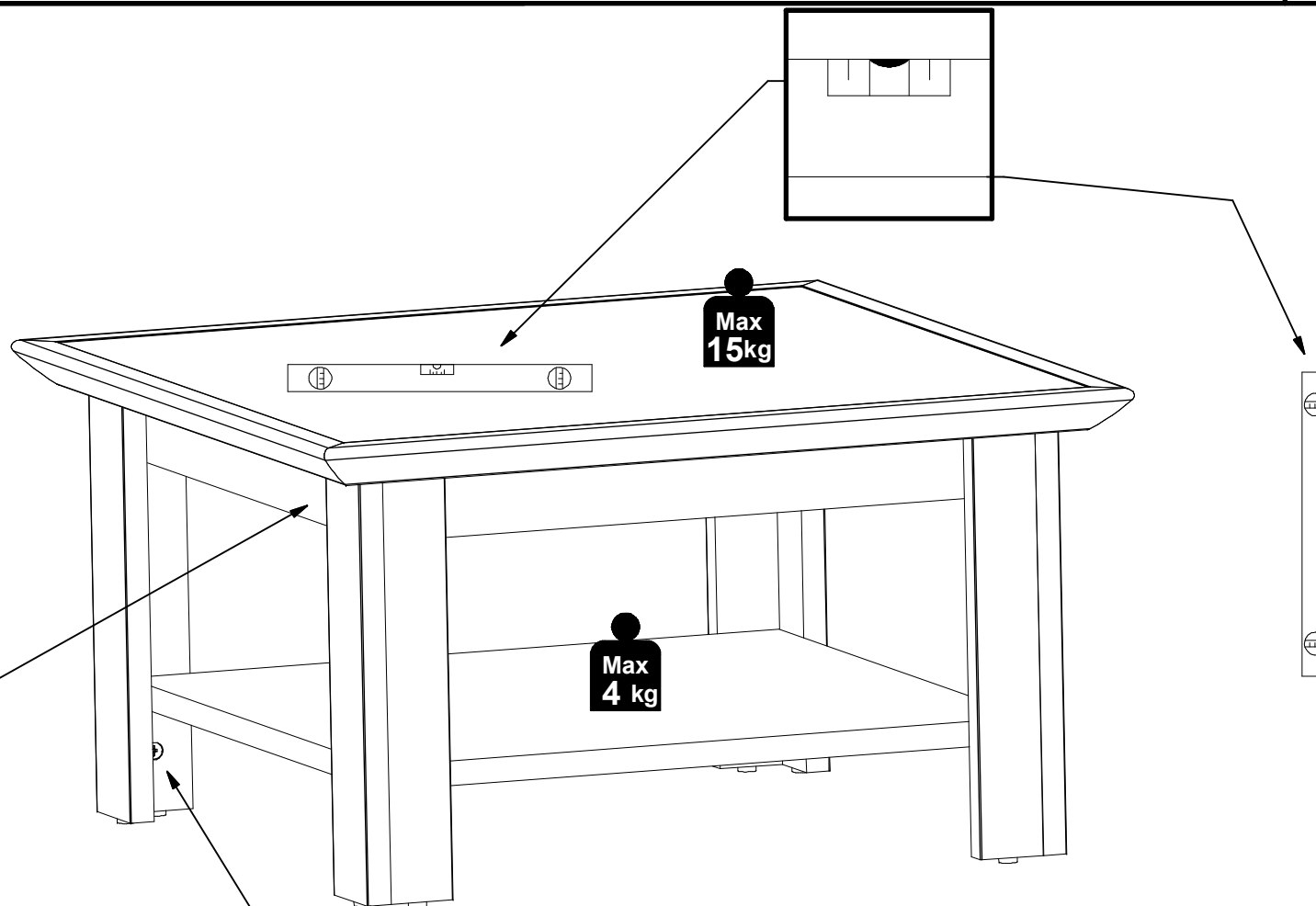
z16

4



5

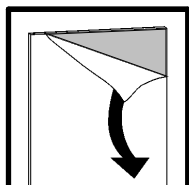




Max
15kg

Max
4 kg

15kg



self >
ONE STEP PANEL
s9315

s68 s68
4x r1



