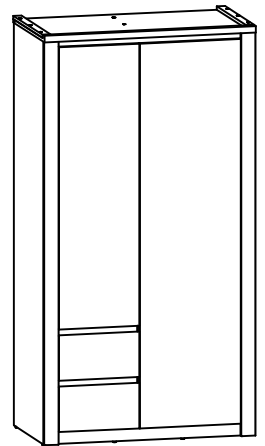
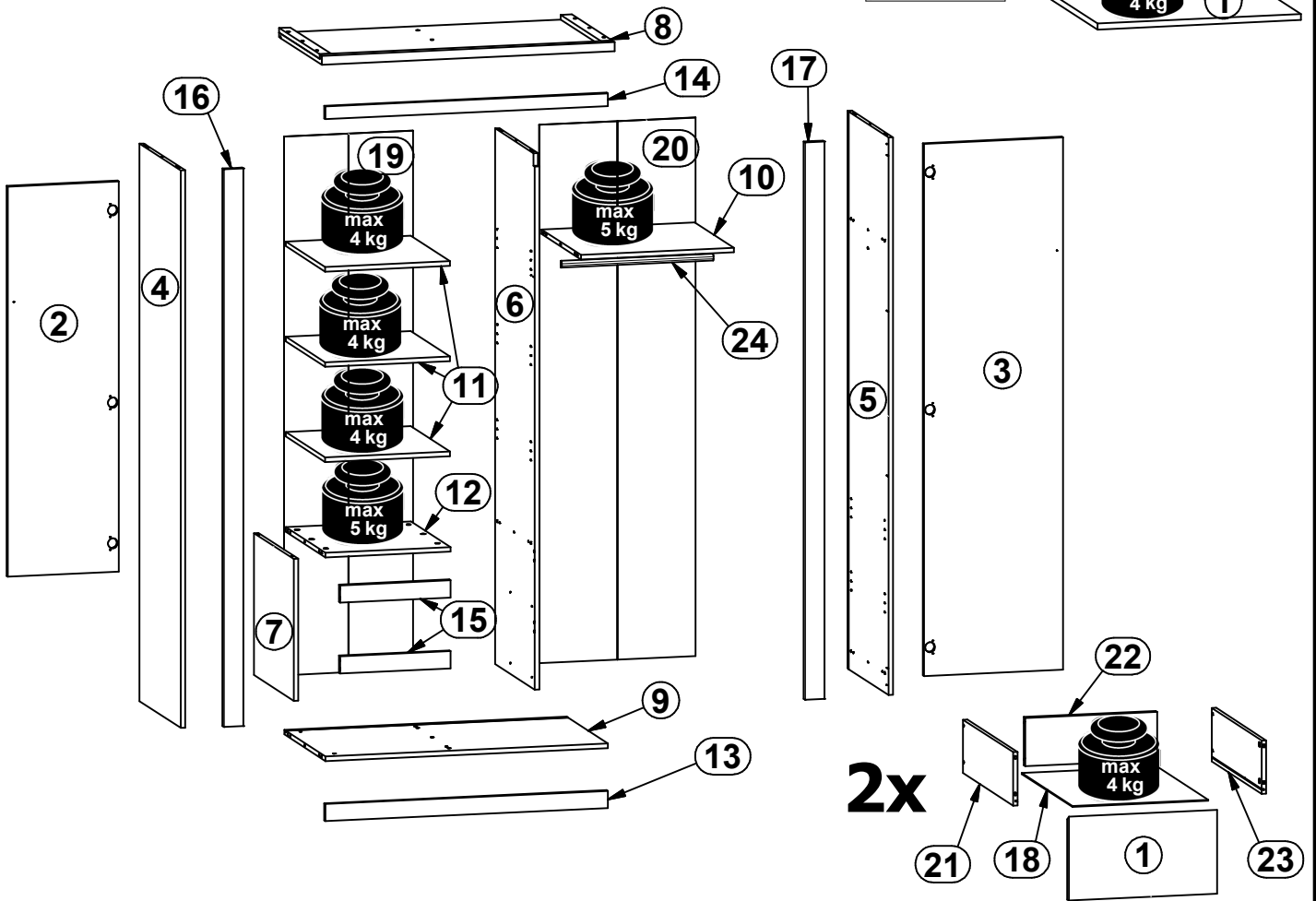
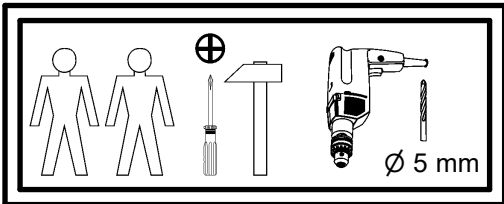
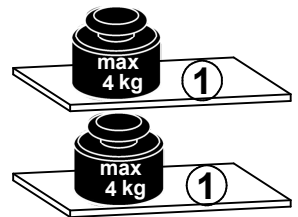
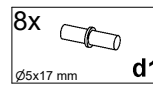


A	B	C	D	A	B	C	D		
1	S486-0014	396	220	4/4	13	S486-4013	1007	60	4/4
2	S486-0018	1364	396	4/4	14	S486-4016	1007	44	4/4
3	S486-0019	1860	496	4/4	15	S486-4019	393	60	4/4
4	S486-1040	1948	548	3/4	16	S486-5019	1948	70	4/4
5	S486-1041	1948	548	2/4	17	S486-5020	1948	70	4/4
6	S486-1042	1872	528	2/4	18	S486-9007	363	507	1/4
7	S486-1043	496	528	1/4	19	S486-9315	1882	459	4/4
8	S486-2008	1043	570	1/4	20	S486-9316	1882	557	4/4
9	S486-3039	1007	548	3/4	21	ZQ6-515	500	140	1/4
10	S486-3040	545	523	1/4	22	ZQ6-5157	353	127	1/4
11	S486-3041	445	523	1/4	23	ZQ6-516	500	140	1/4
12	S486-3043	446	528	1/4	24	dr-541	541	22	4/4

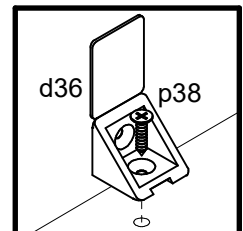
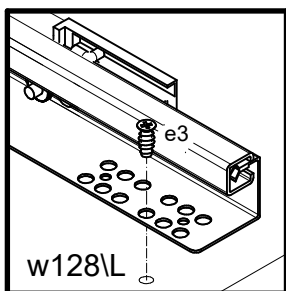
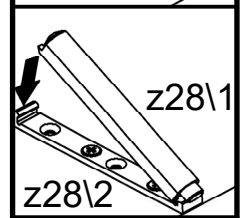
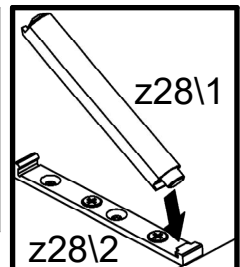
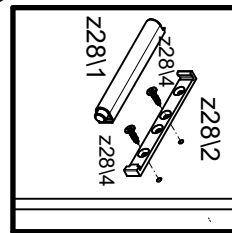
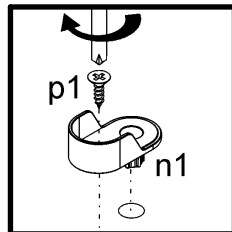
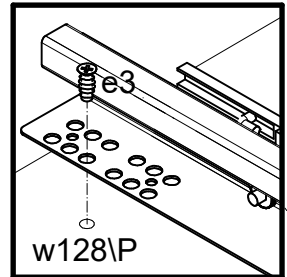
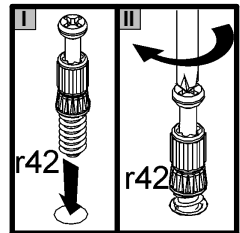
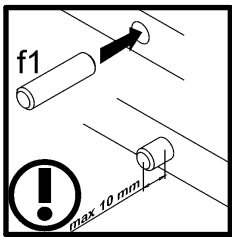
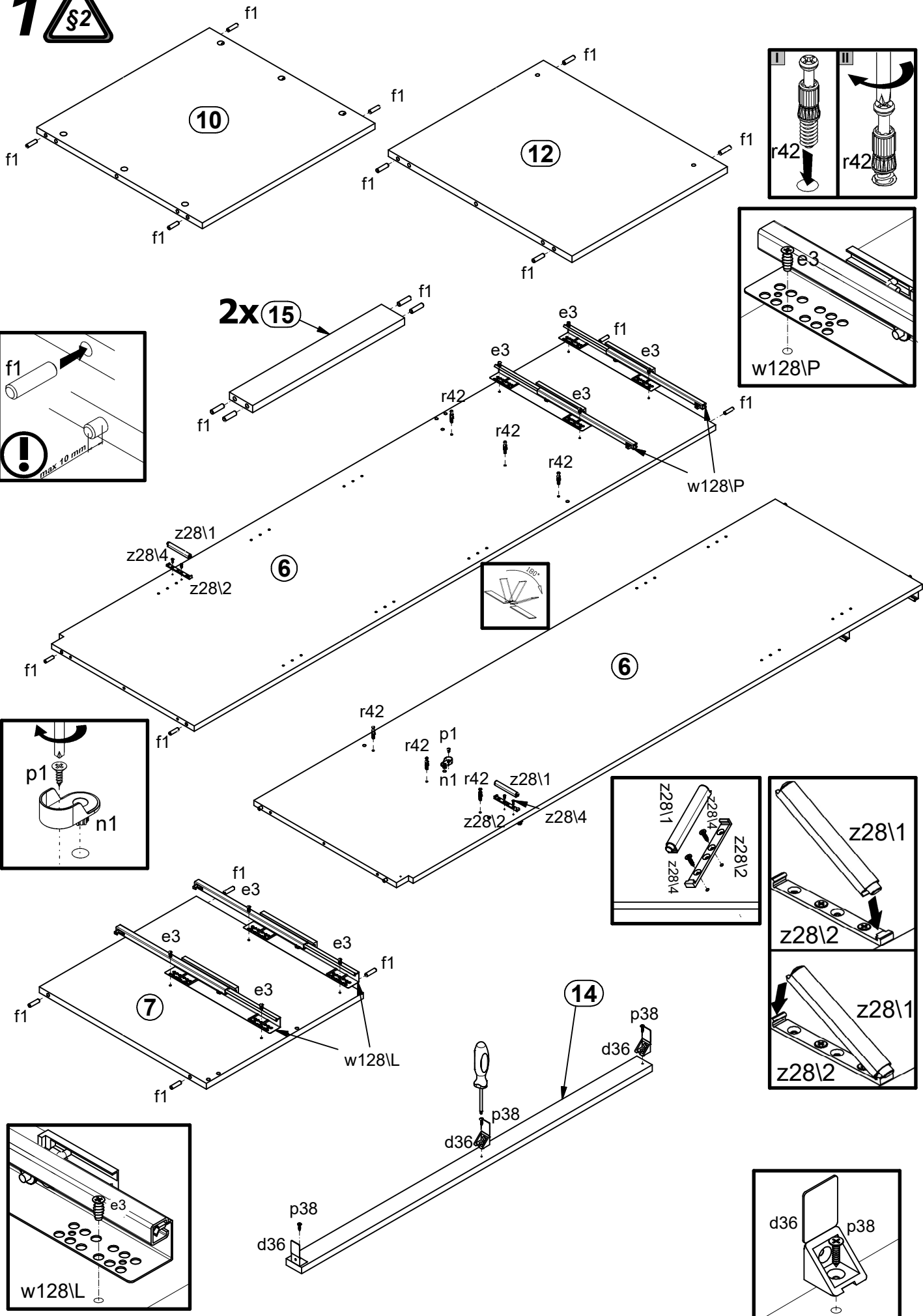


A	B	C	D	
1	S486-3042	544	523	1/1

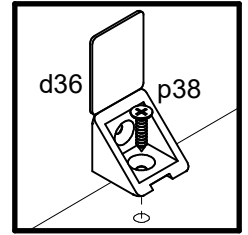
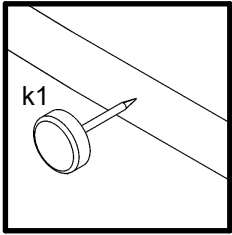
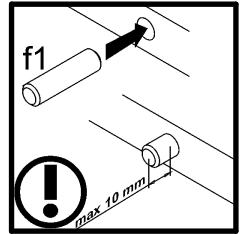
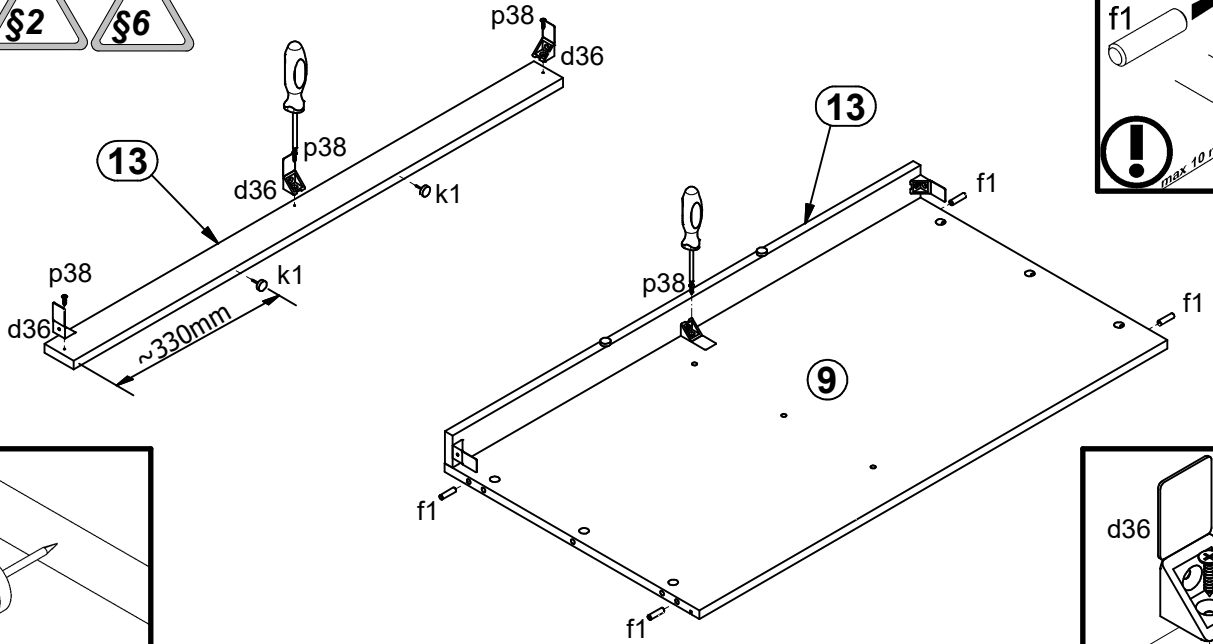


6x a132	6x b43	12x Ø5x17 mm d1	6x d36	8x d37	6x Ø7x50 mm e1	12x Ø6,3x13 mm e2	8x Ø6x13 mm e3	6x Ø7x60 mm e8
32x Ø8x30 mm f1	32x Ø8x30 mm f1	8x Ø6,5x40 mm f25	6x k1	14x l2	2x h=22mm n1	9x 22x9,5x20,7 mm n108	2x Ø3,5x13 mm p1	44x Ø3,5x16 mm p38
12x Ø3,5x15 mm p51	24x Ø2,9x16 mm p55	18x Ø15x12 mm #16 r1	8x Ø12x10,5 mm #12 r15	26x 20/11 r42	2x 500 mm w128/L	2x 500 mm w128/P	2x z28/1	2x 82x9,5x6,5 mm z28/2
2x 20x20x1,5 mm z28/3	6x Ø3x12mm z28/4	6x Ø 20mm s68	1x 4 mm z1	1x 86x21x15/1,5 n14/2	2x Ø3,5x16 mm p38	1x Ø5x60 mm p17	1x Ø10x50 mm p17	1x f35

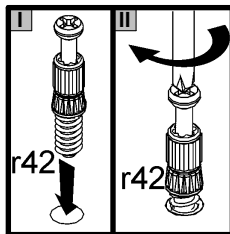
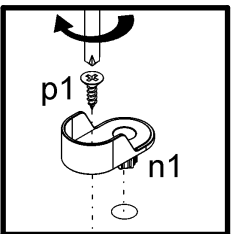
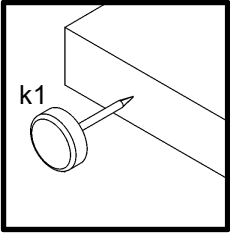
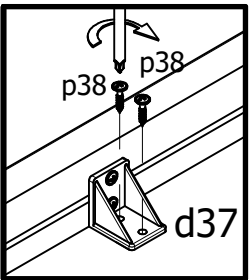
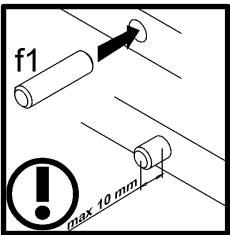
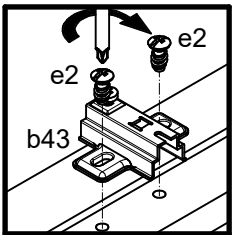
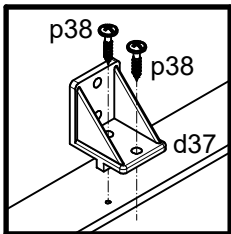
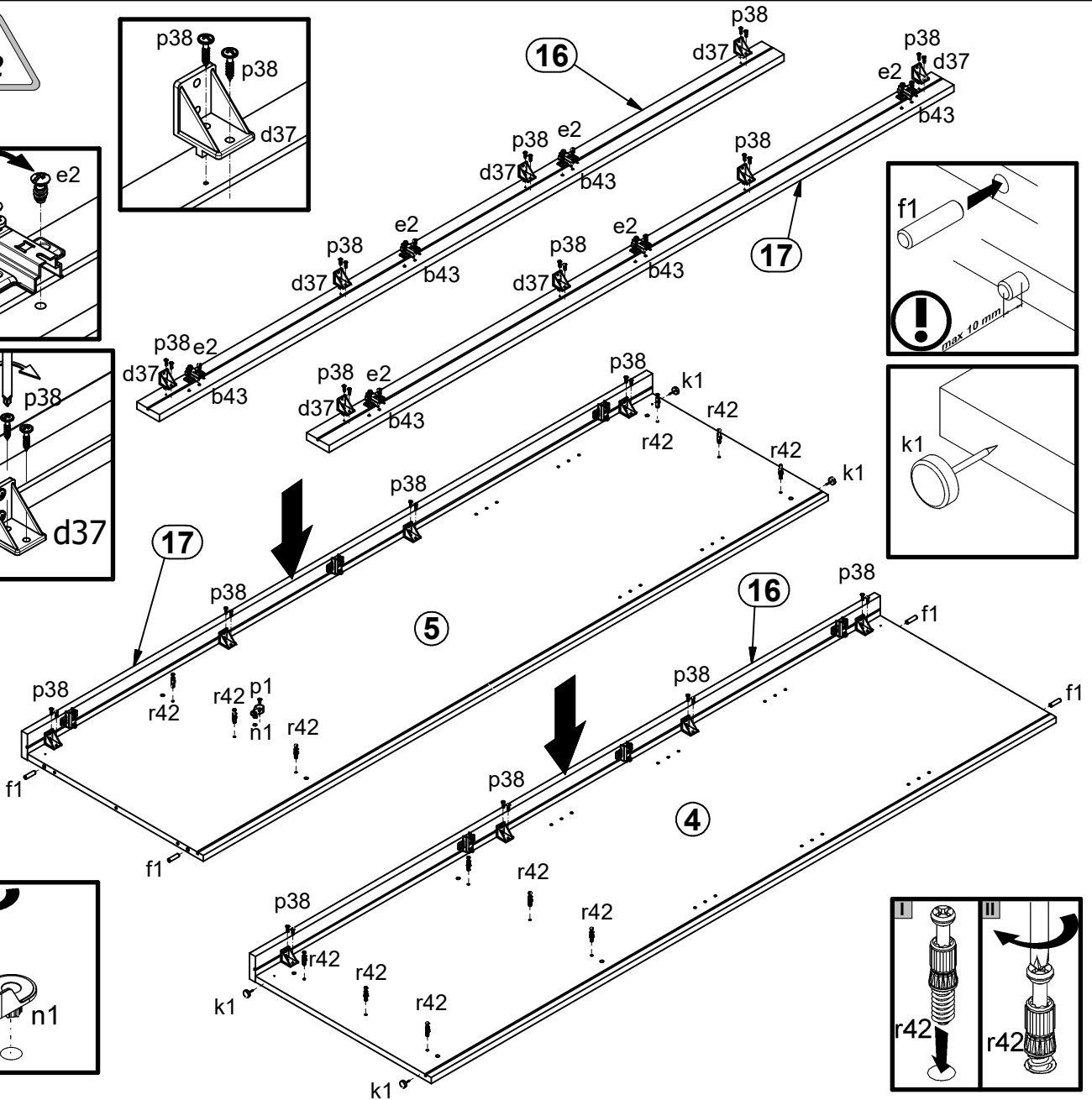
1 

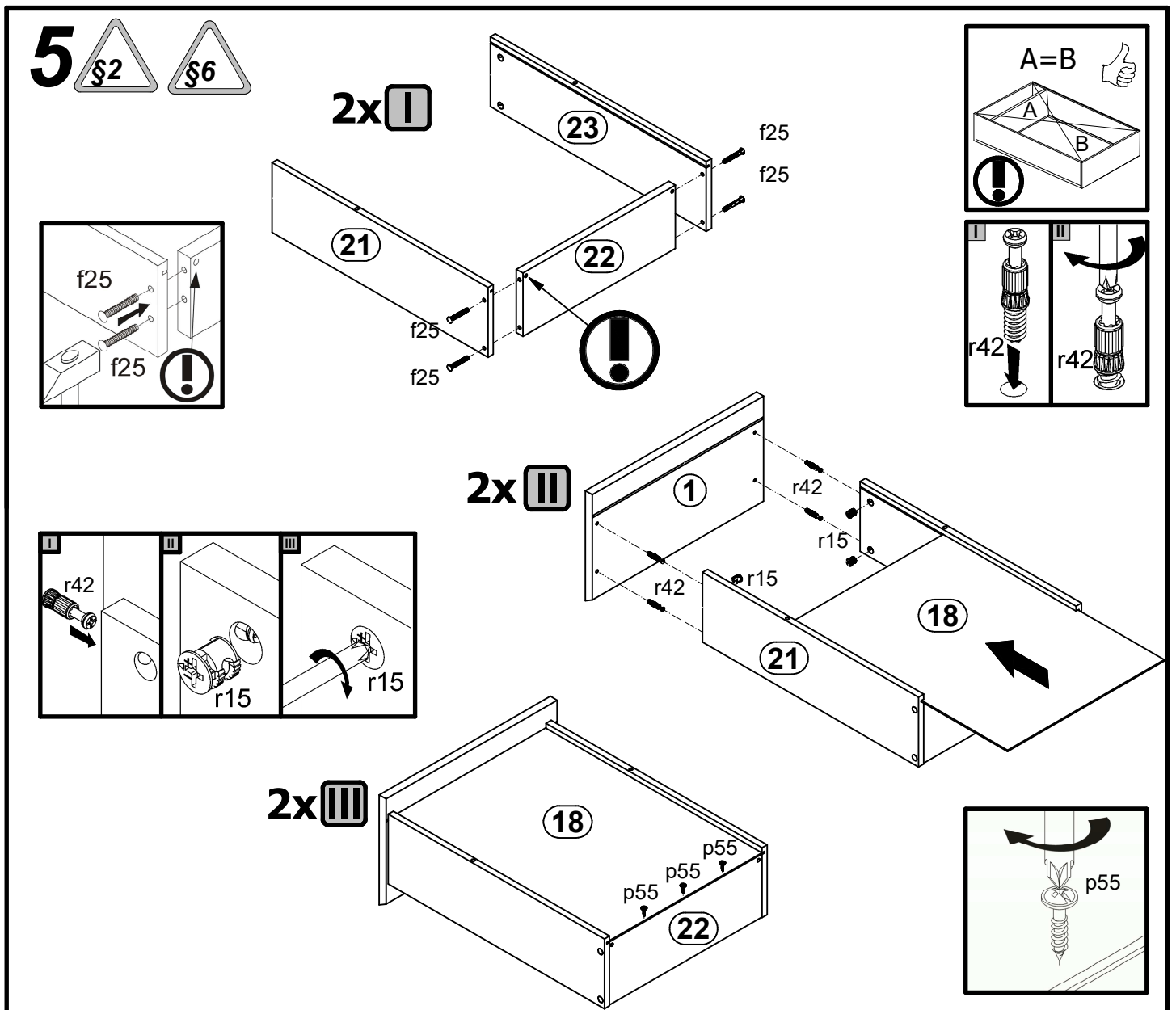
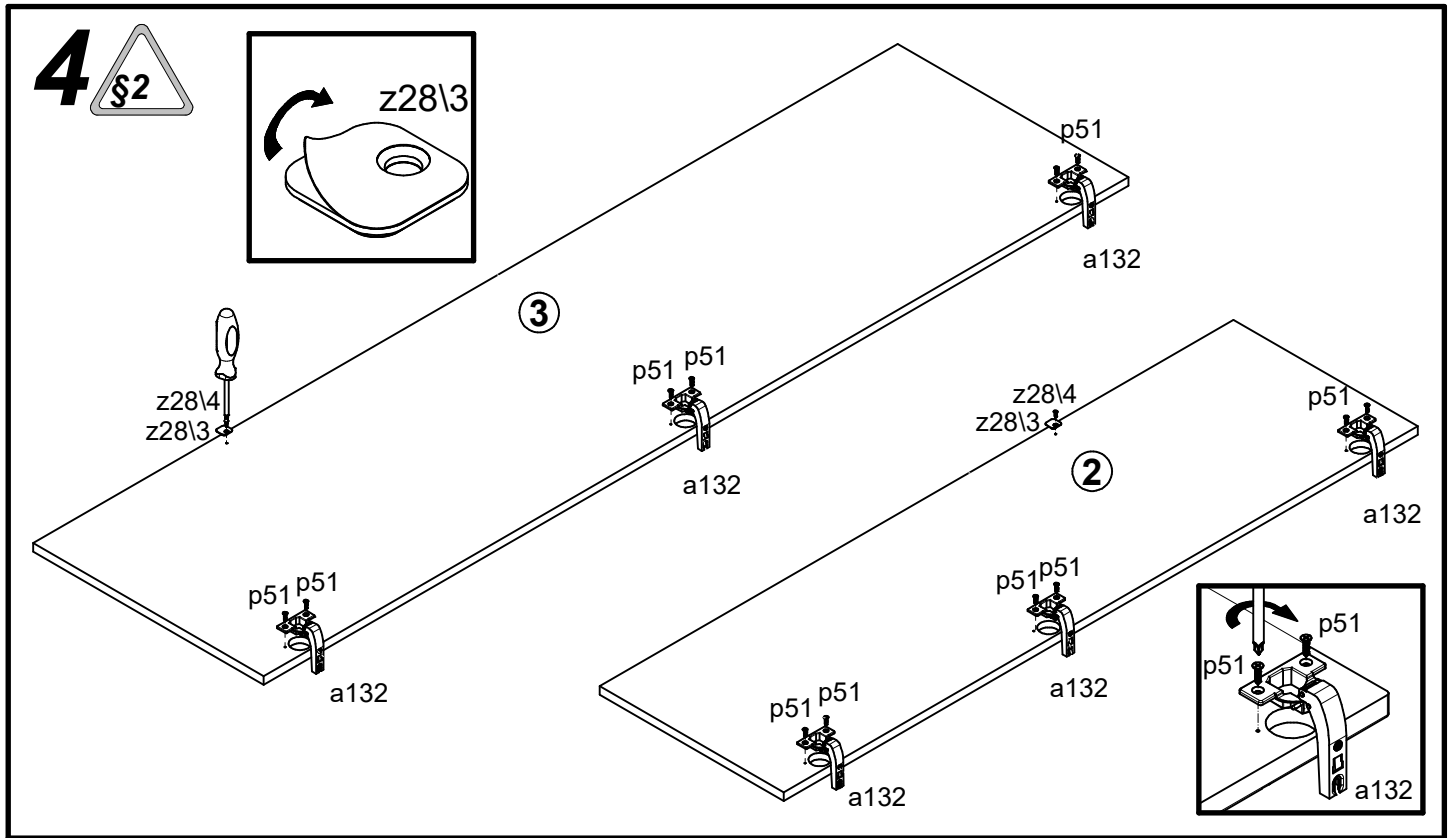


2 §2 §6

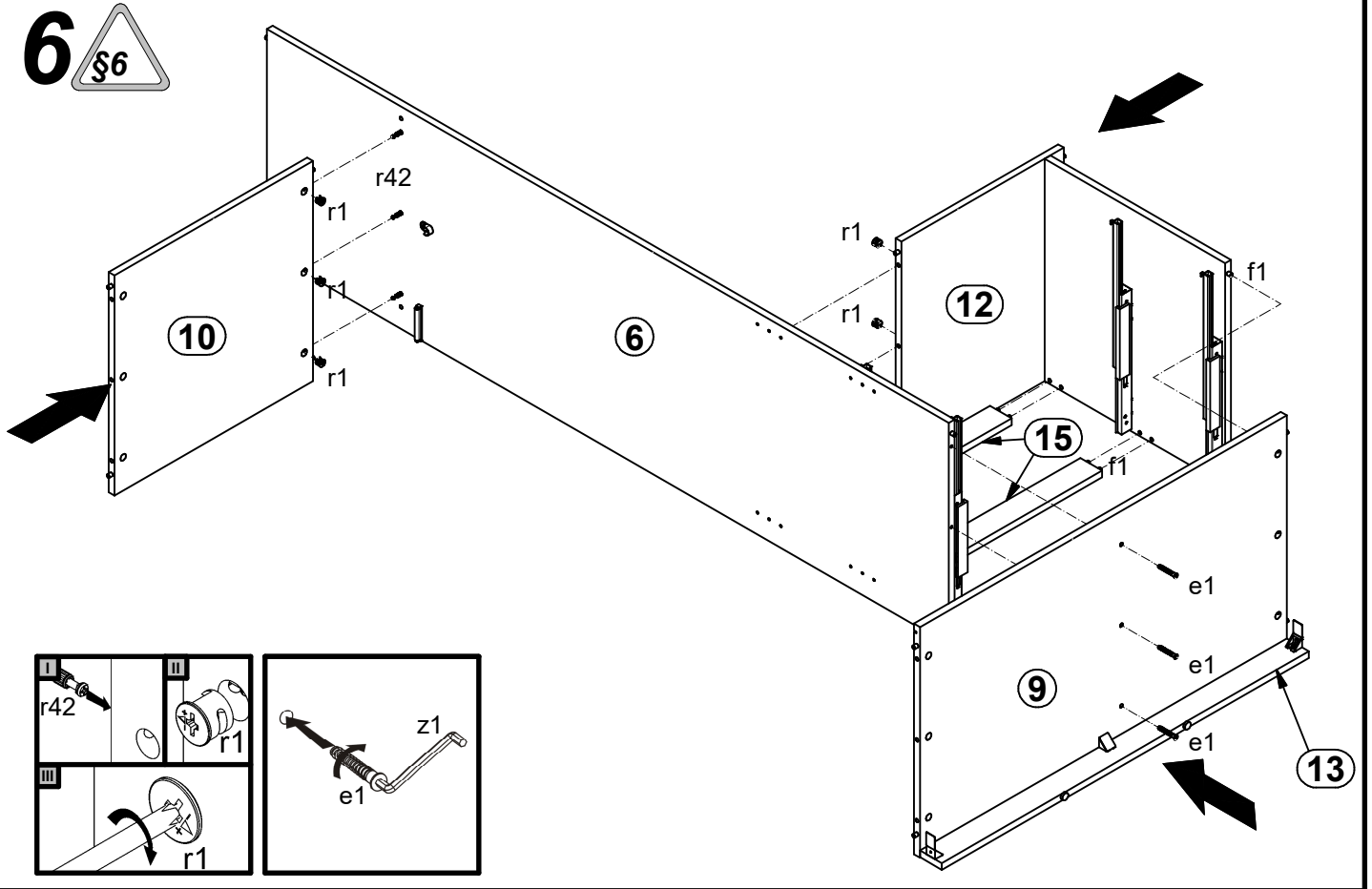


3 §2

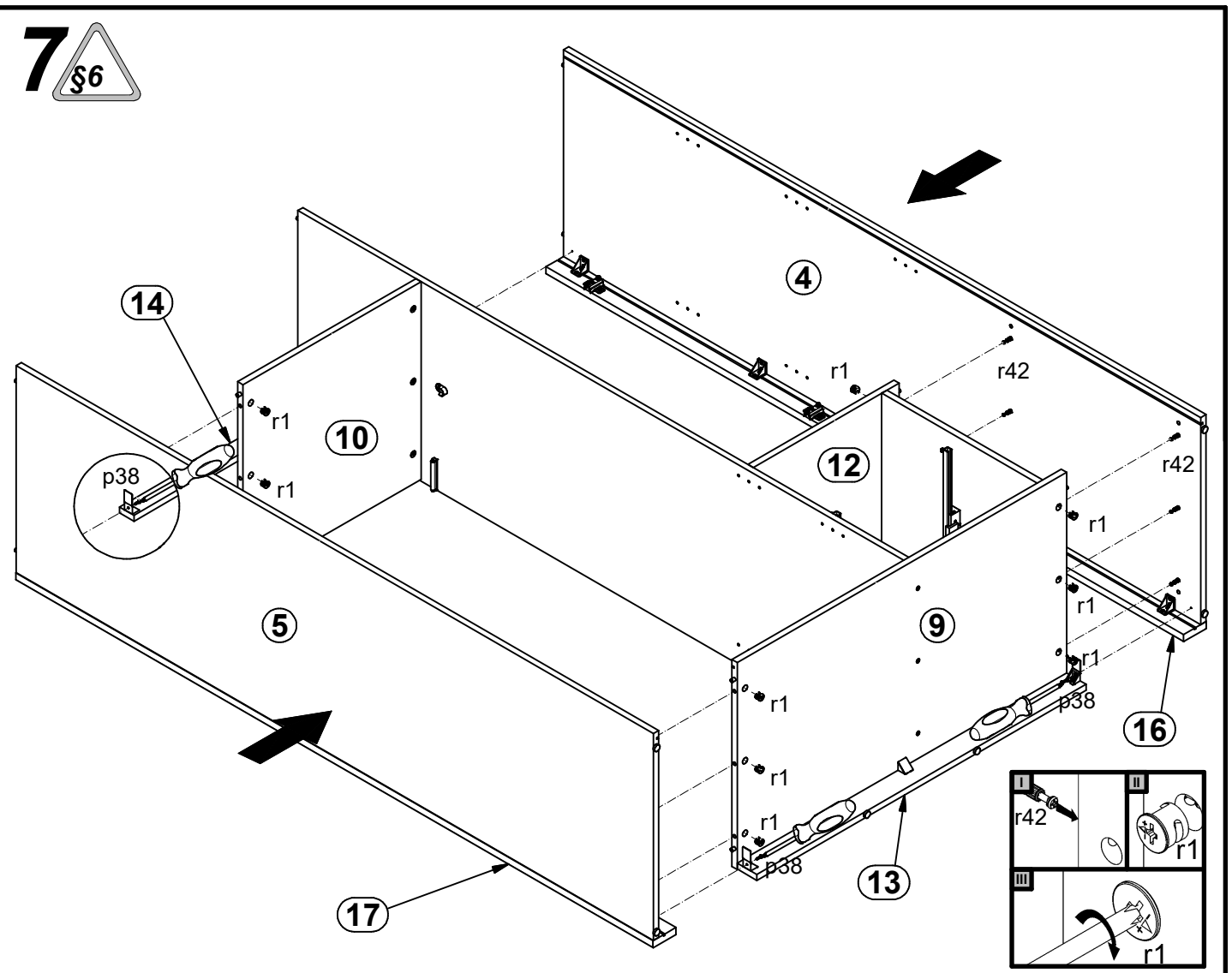


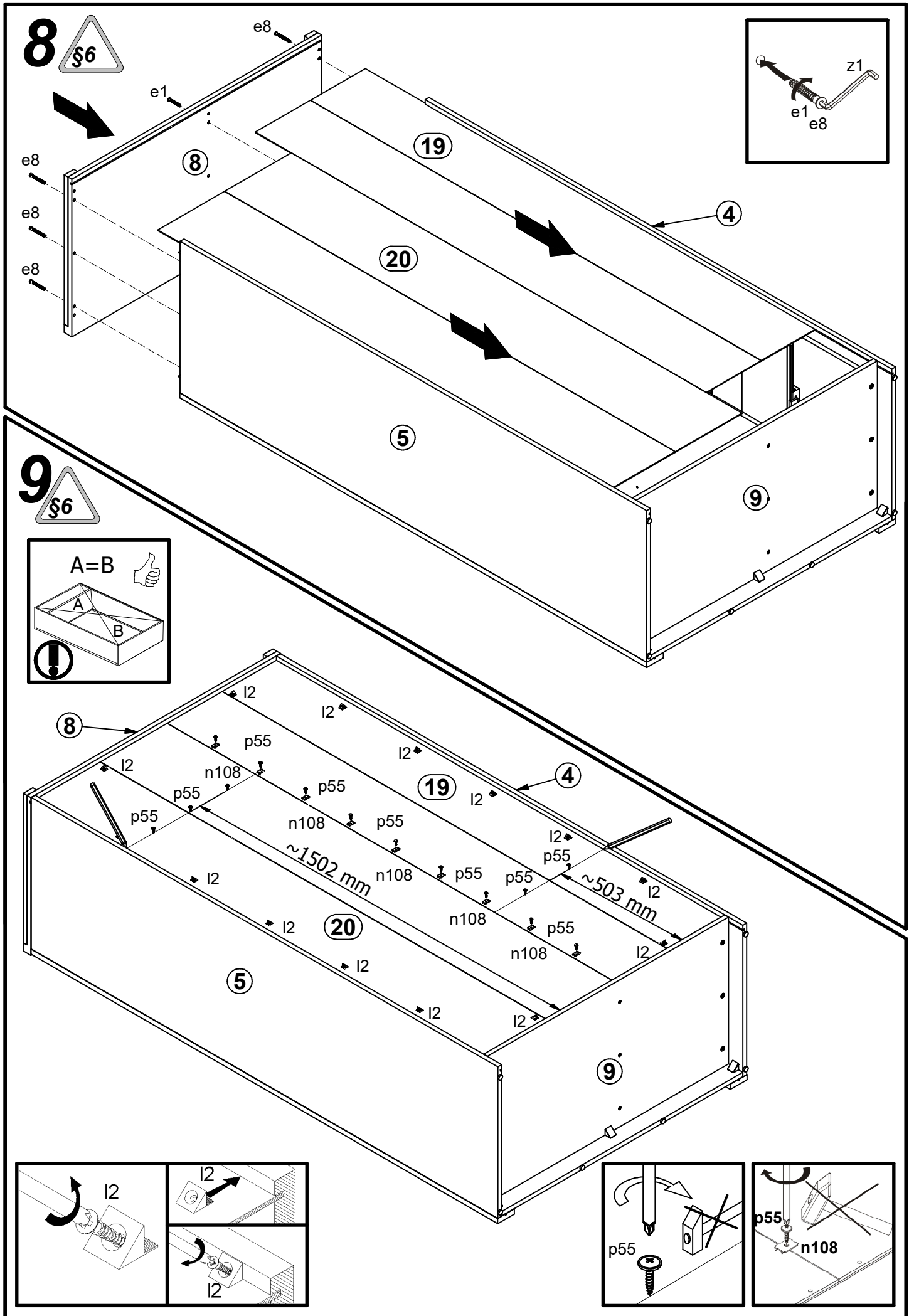


6



7





10

