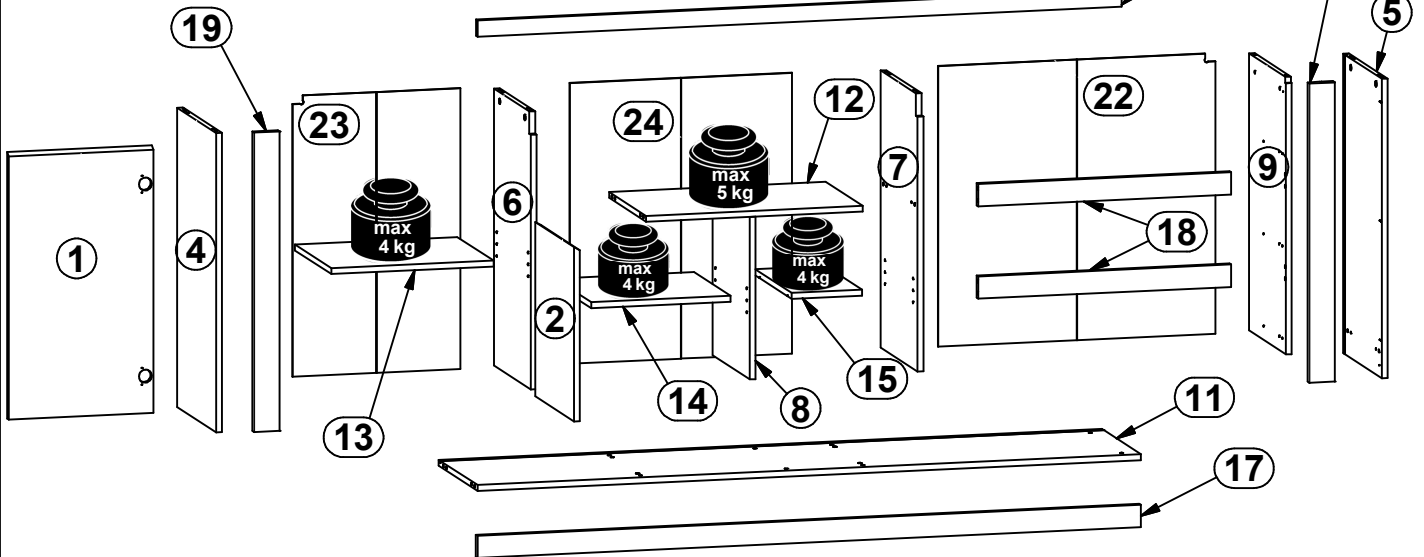
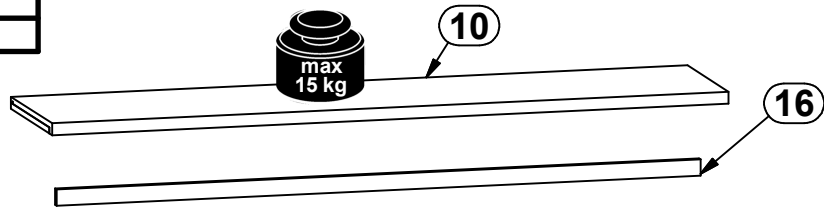
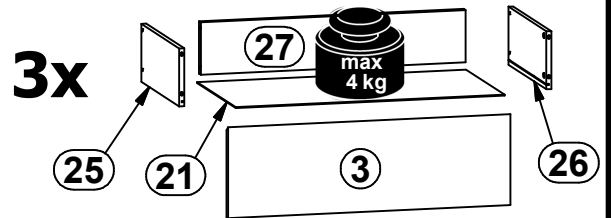
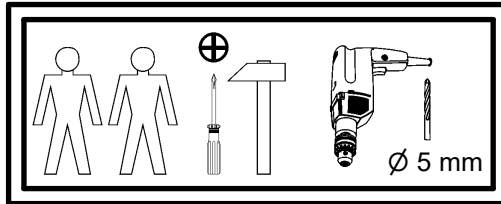
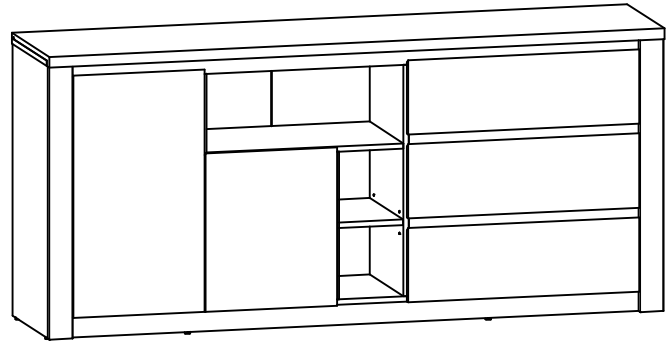
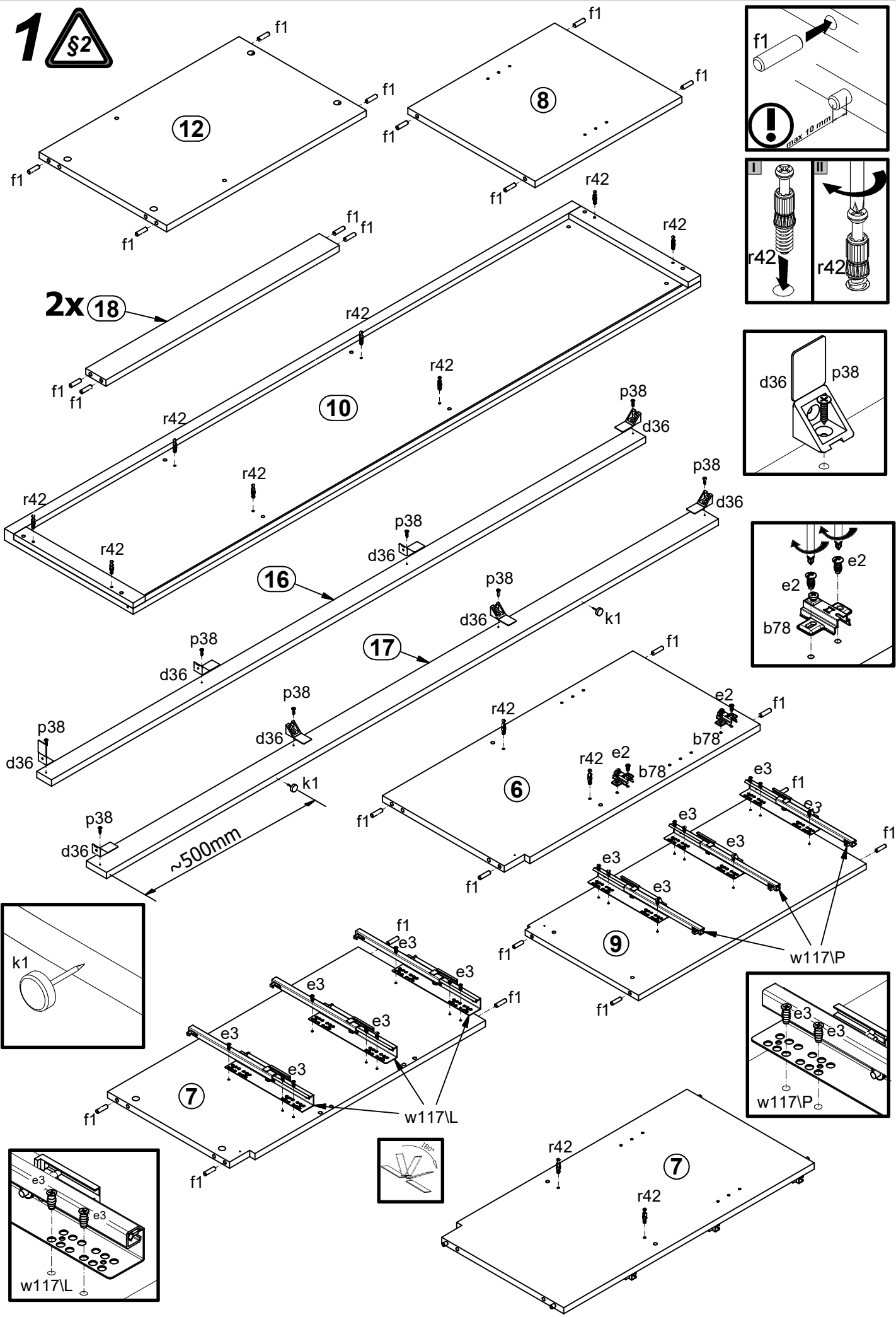


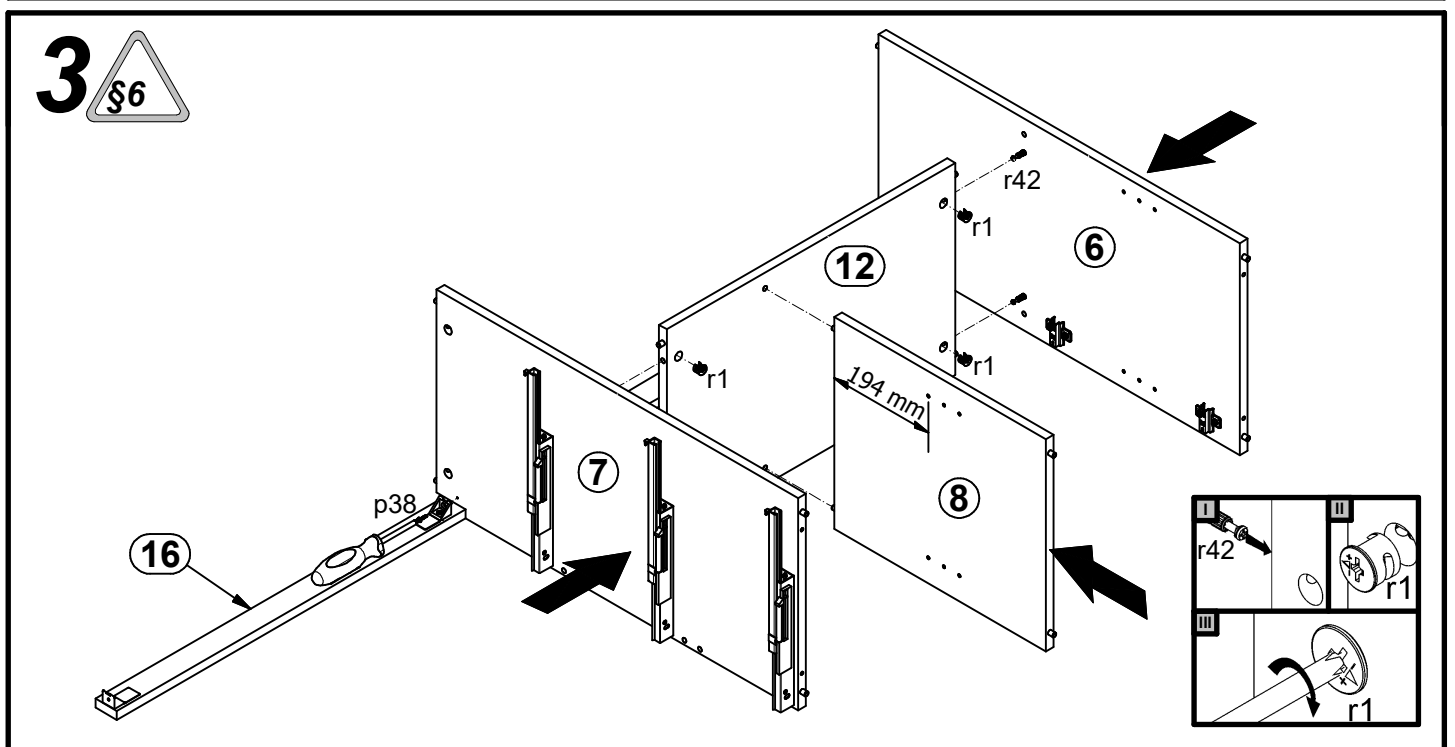
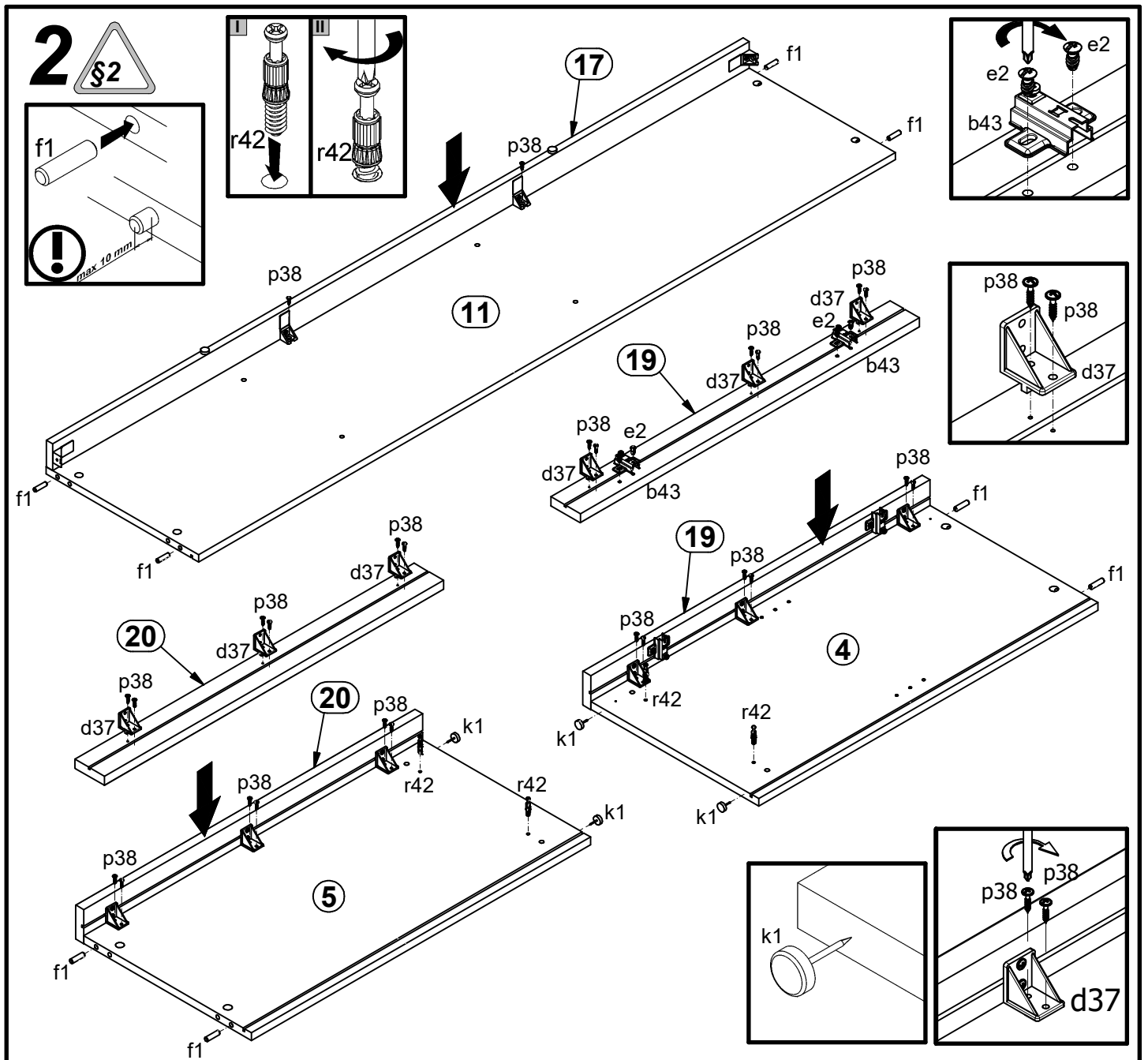
A	B	C	D	
1	S486-0001	716	396	3/3
2	S486-0002	468	396	3/3
3	S486-0003	696	220	3/3
4	S486-1001	804	398	1/3
5	S486-1002	804	398	1/3
6	S486-1003	744	378	1/3
7	S486-1004	744	378	1/3
8	S486-1005	436	378	1/3
9	S486-1006	744	378	1/3
10	S486-2001	1853	420	2/3
11	S486-3001	1817	398	2/3
12	S486-3002	593	378	3/3
13	S486-3003	445	373	3/3
14	S486-3004	382	373	3/3
15	S486-3005	193	373	3/3
16	S486-4001	1764	44	2/3
17	S486-4002	1817	60	2/3
18	S486-4003	693	60	2/3
19	S486-5001	804	70	1/3
20	S486-5002	804	70	1/3
21	S486-9001	663	357	2/3
22	S486-9301	754	759	1/3
23	S486-9302	754	459	1/3
24	S486-9303	754	609	1/3
25	ZQ6-511	350	140	2/3
26	ZQ6-512	350	140	2/3
27	ZQ6-5238	653	127	2/3



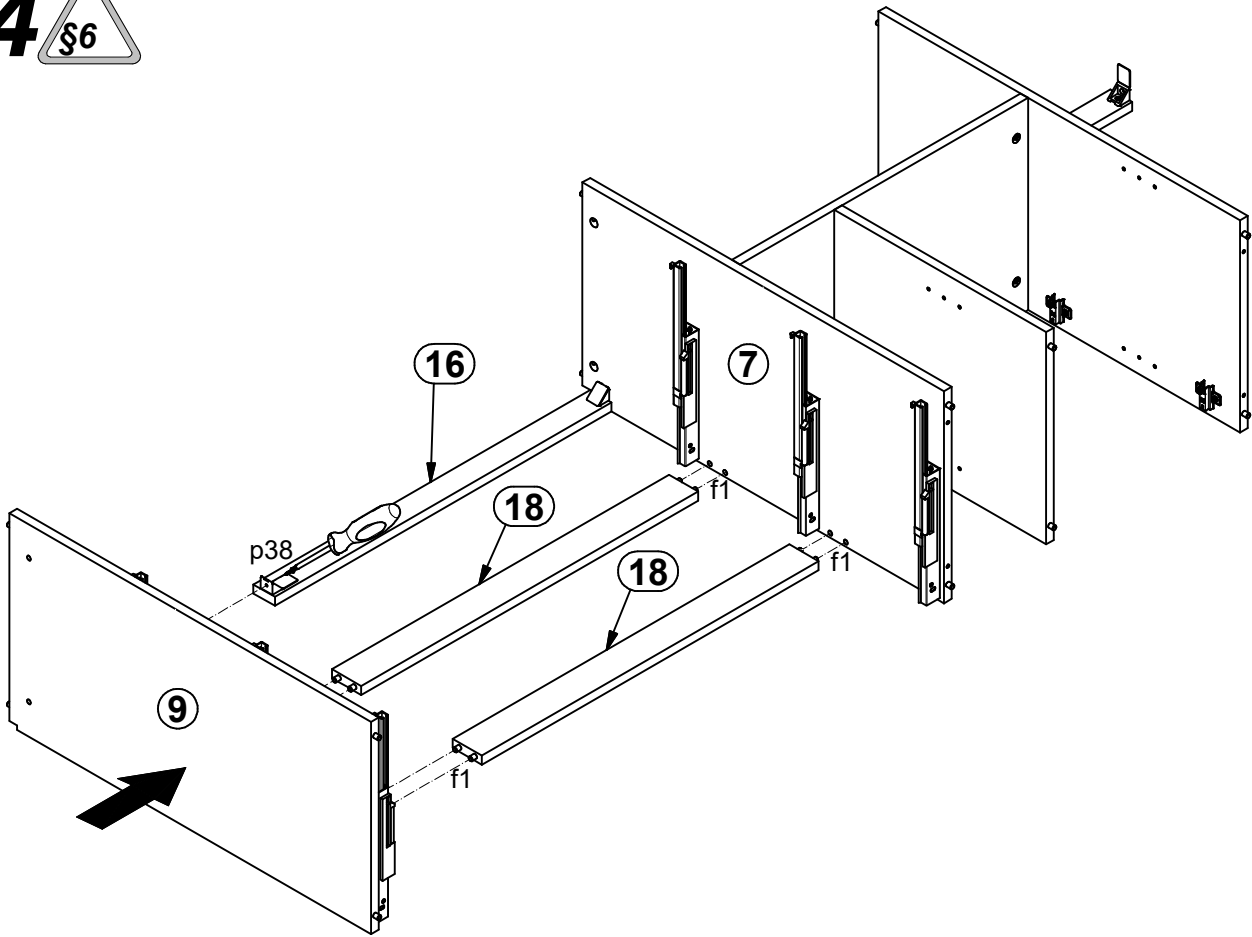
2x a132	2x a159	2x a133	2x b43	2x b78	12x d1	8x d36	6x d37	4x e1
8x e2	18x e3	36x f1	12x f25	6x k1	12x l2	8x n108	3x p35	40x p38
11x p51	32x p55	16x r1	12x r15	28x r42	3x t35	3x W117/L	3x W117/P	4x s68
1x z1							1x n26	1x p38

1 

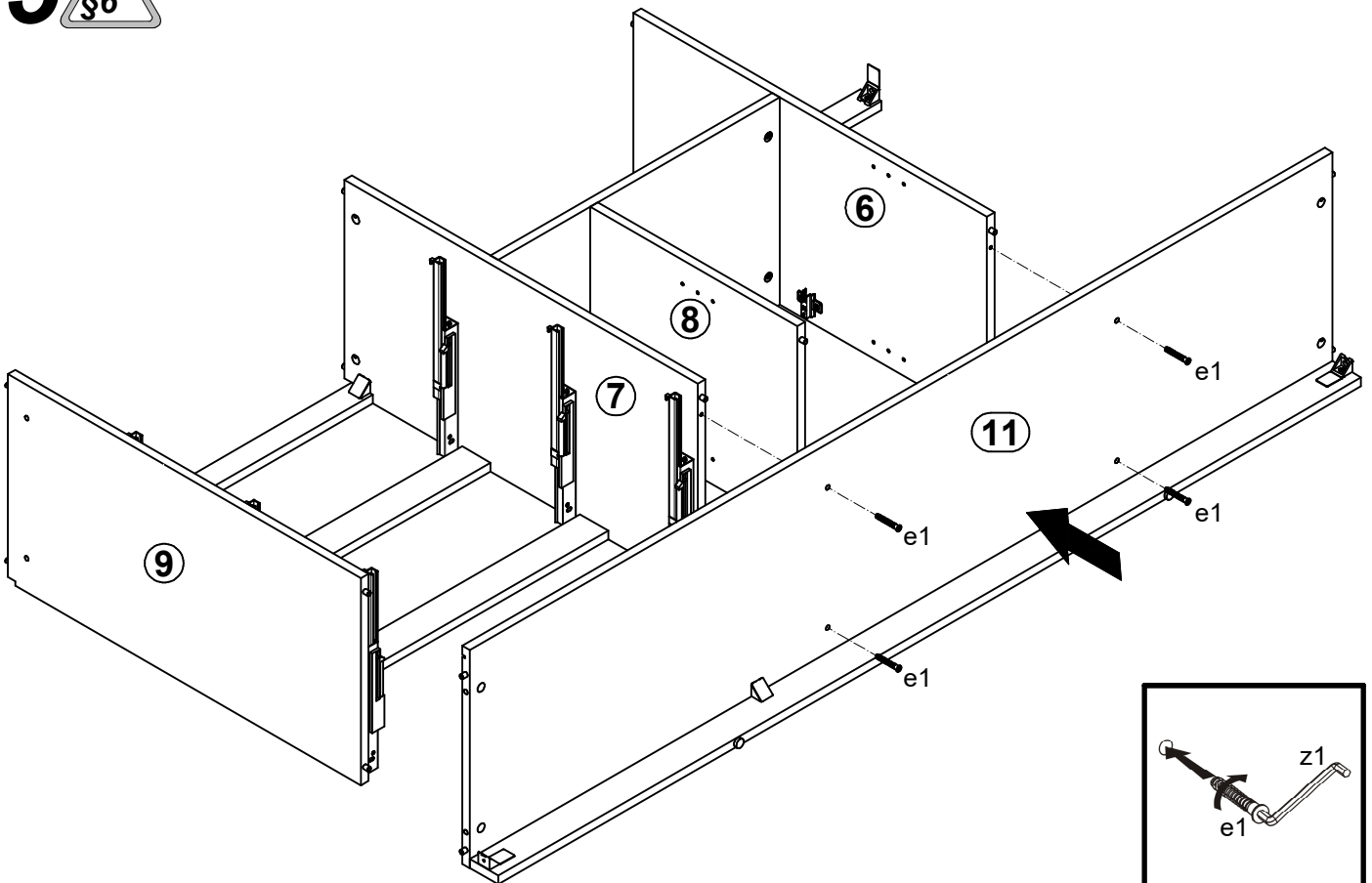




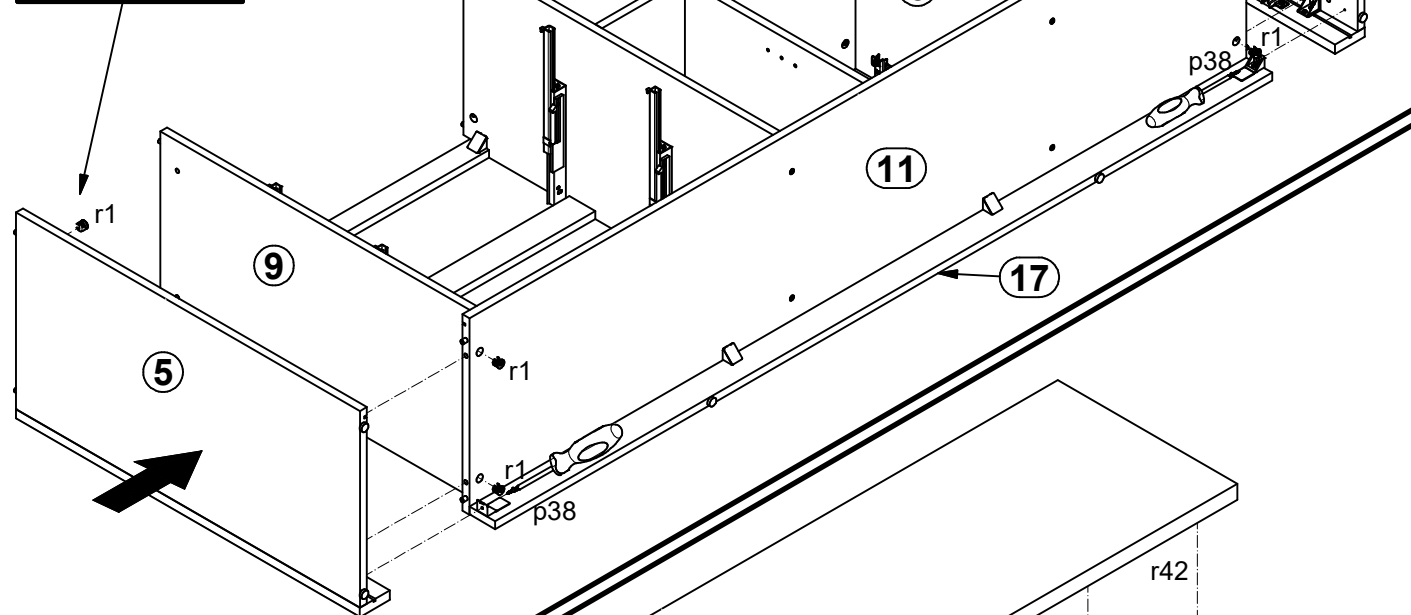
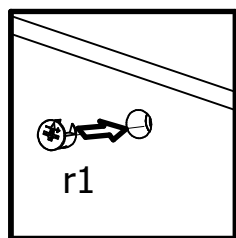
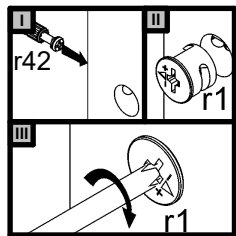
4 §6



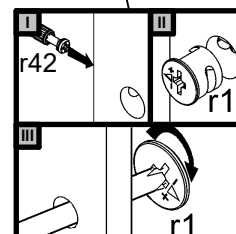
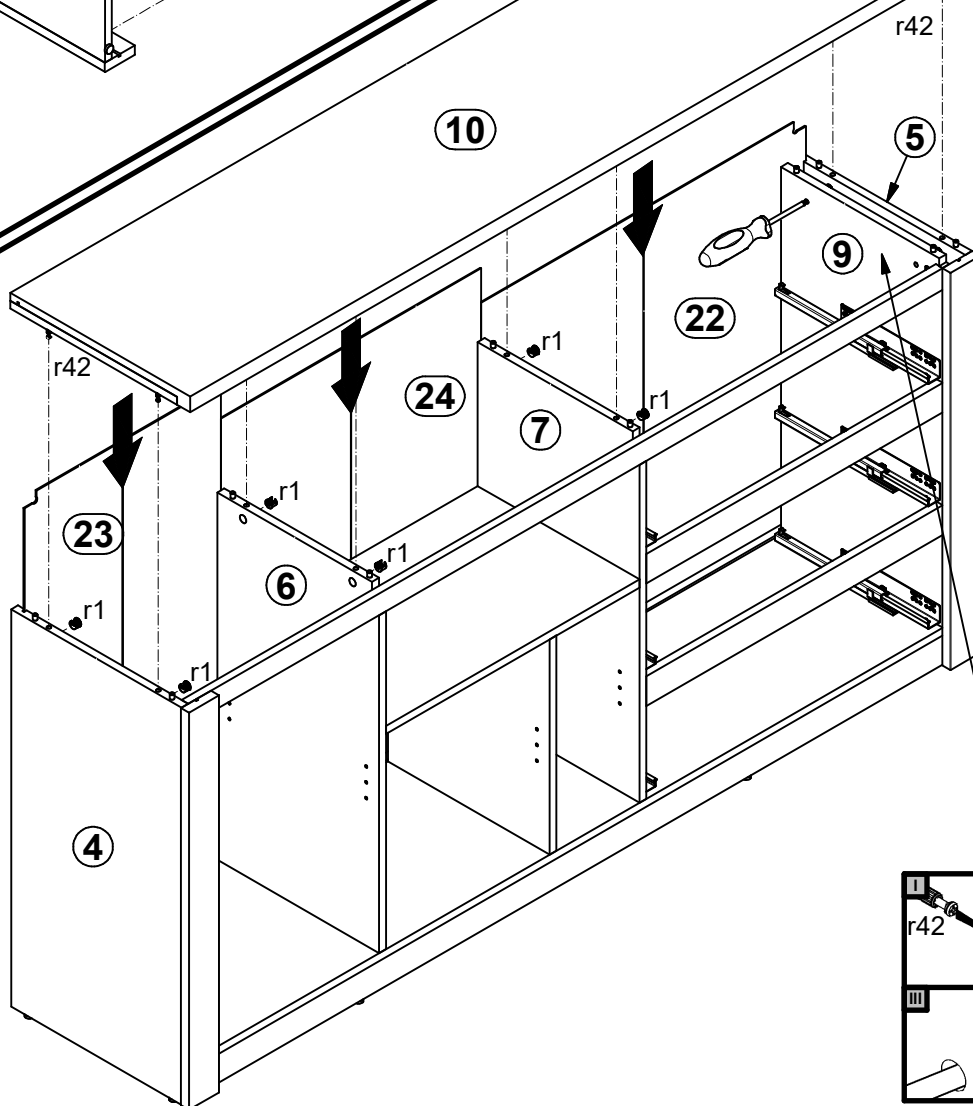
5 §6

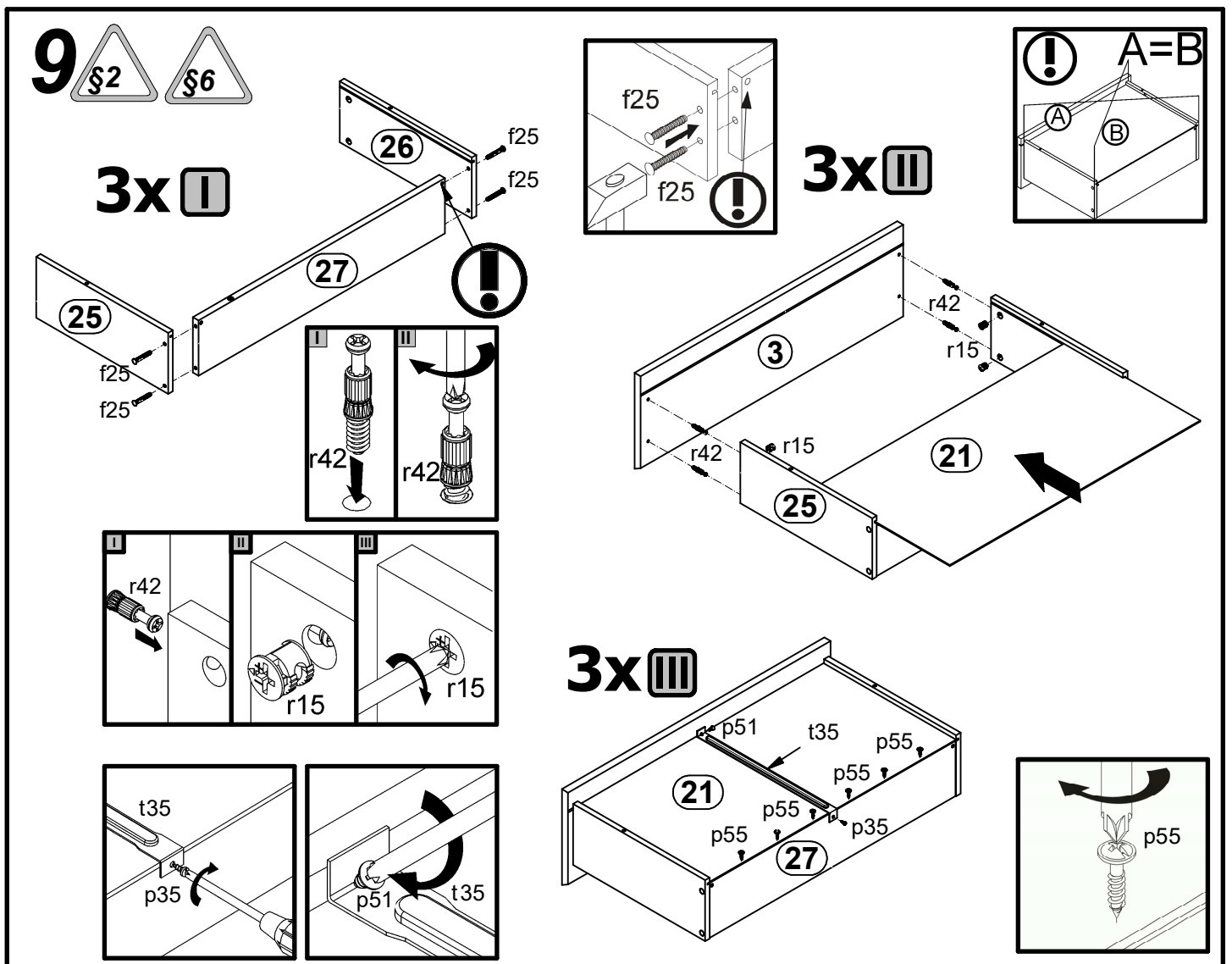
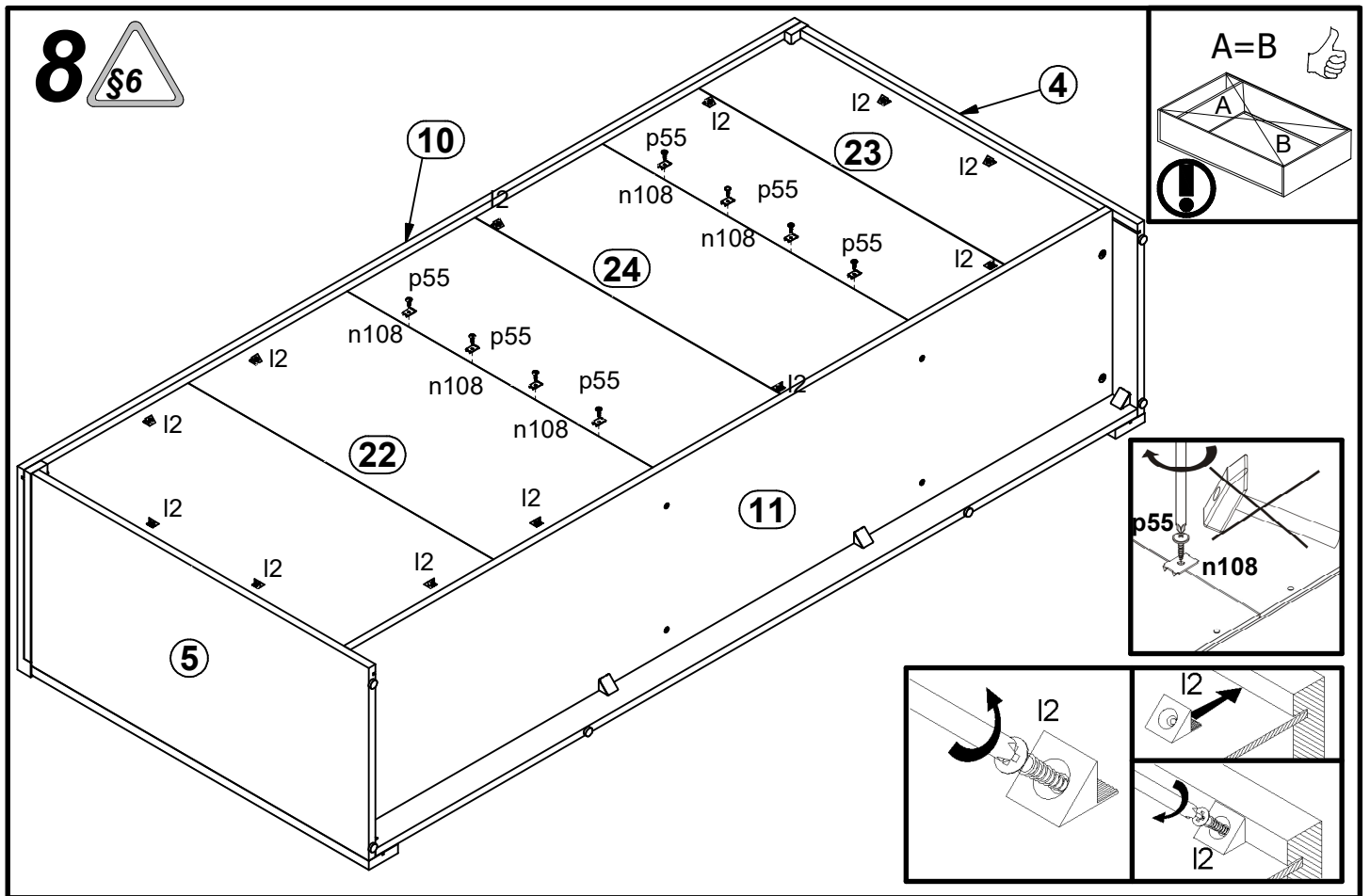


6 



7 





10

