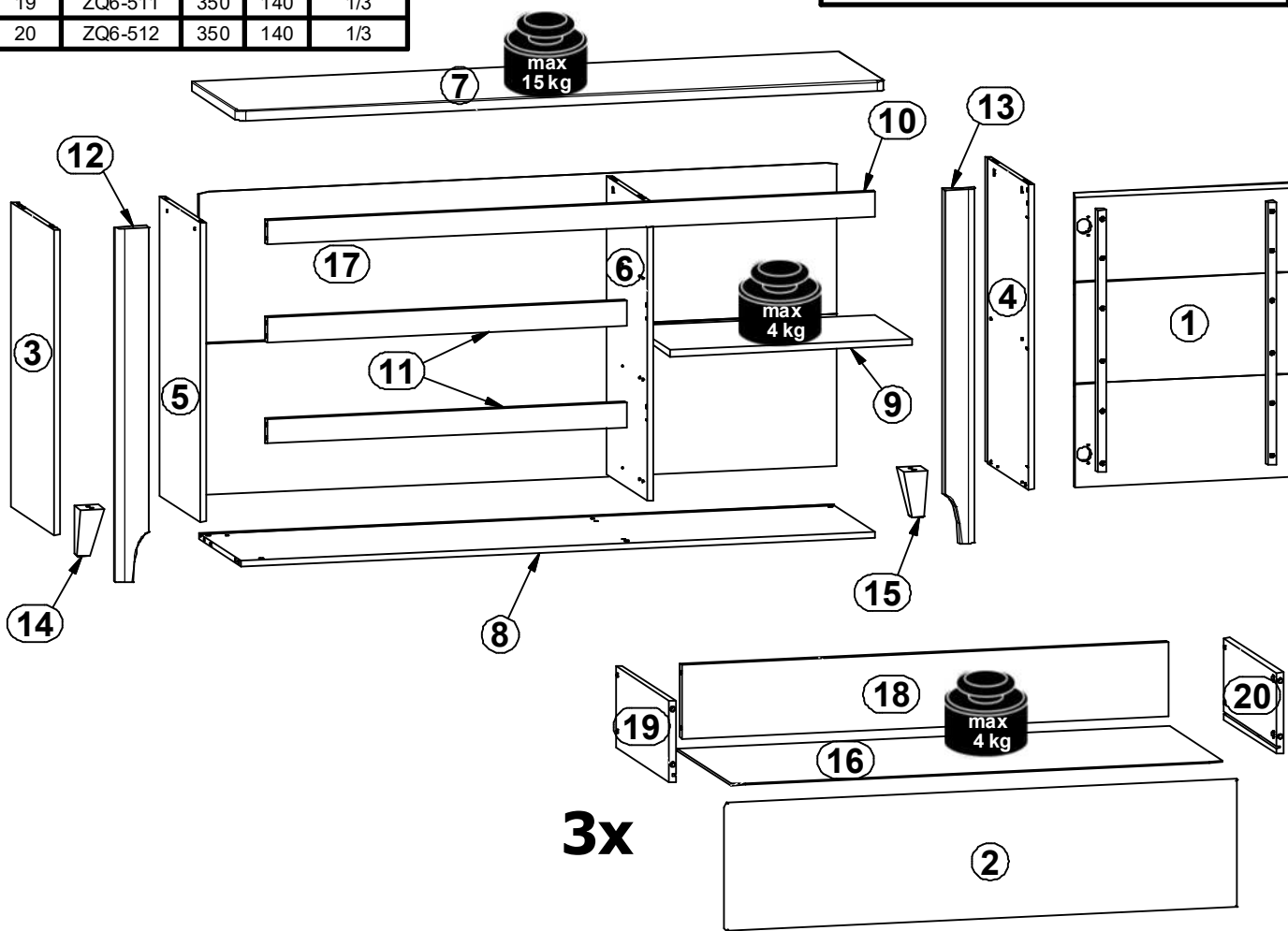
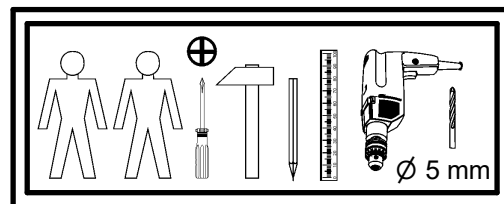
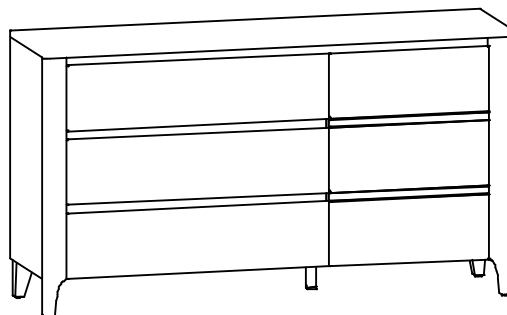
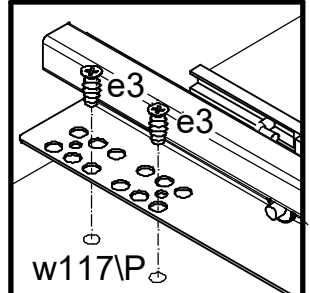
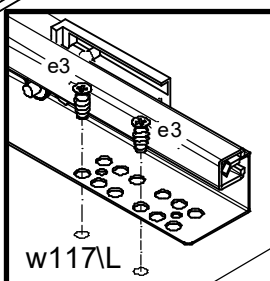
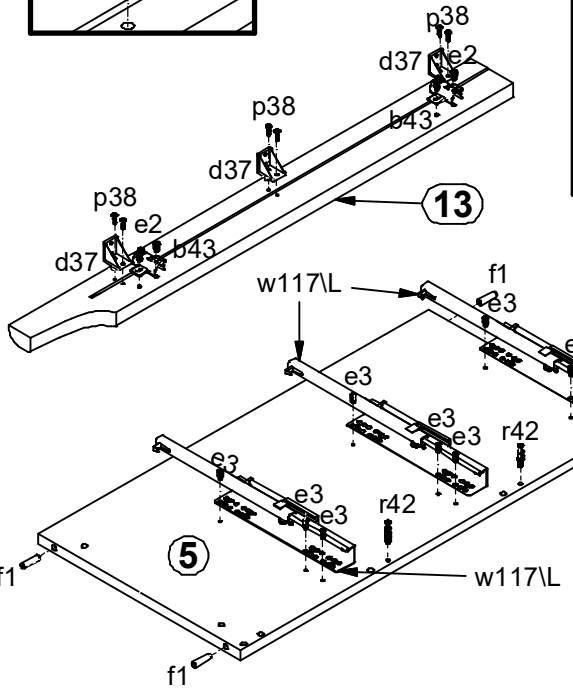
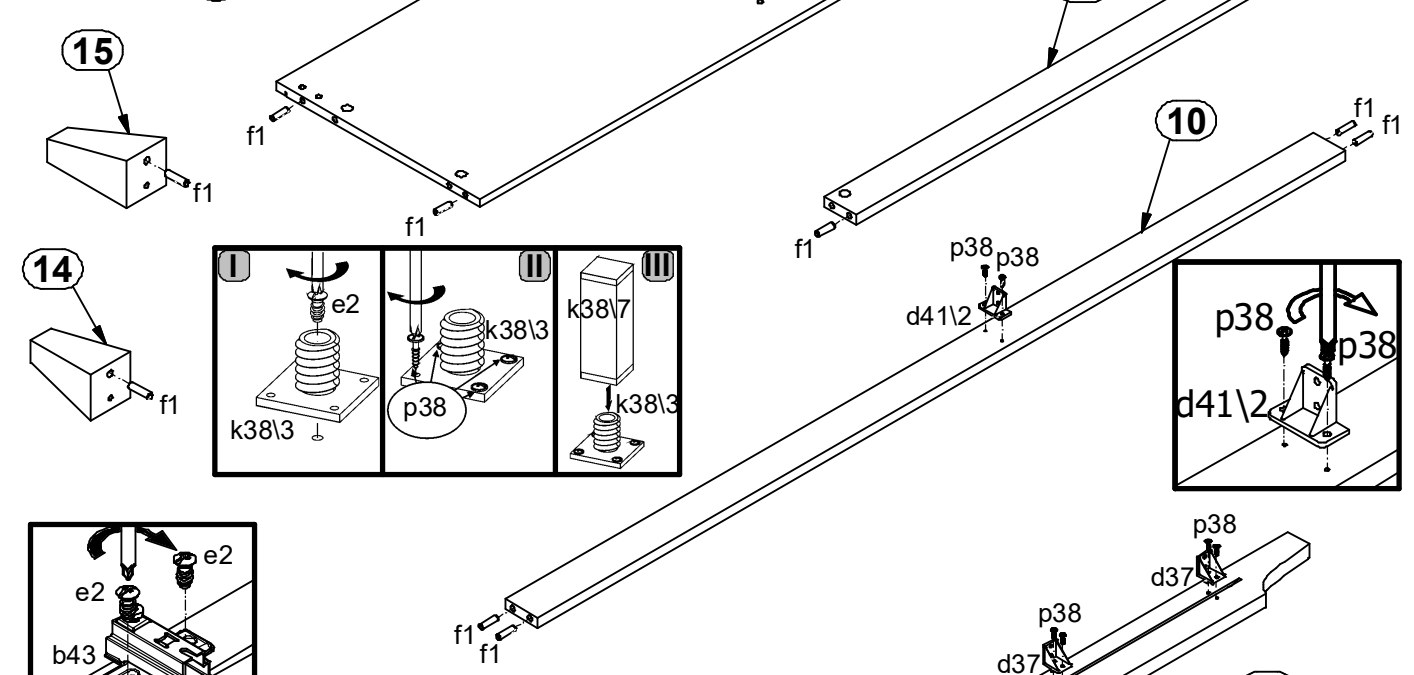
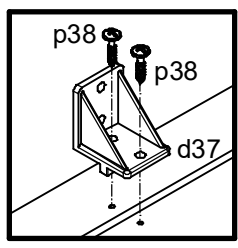
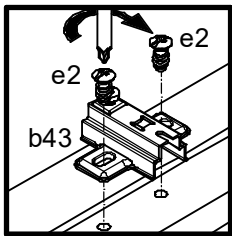
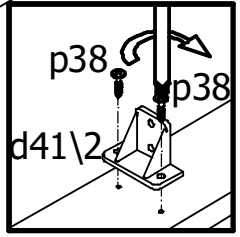
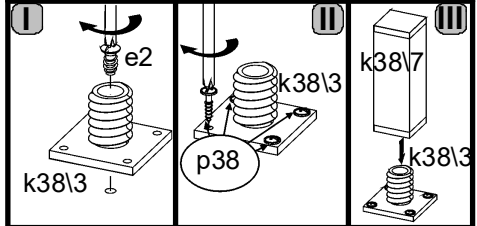
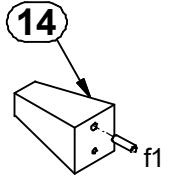
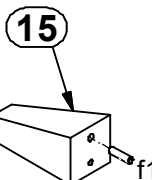
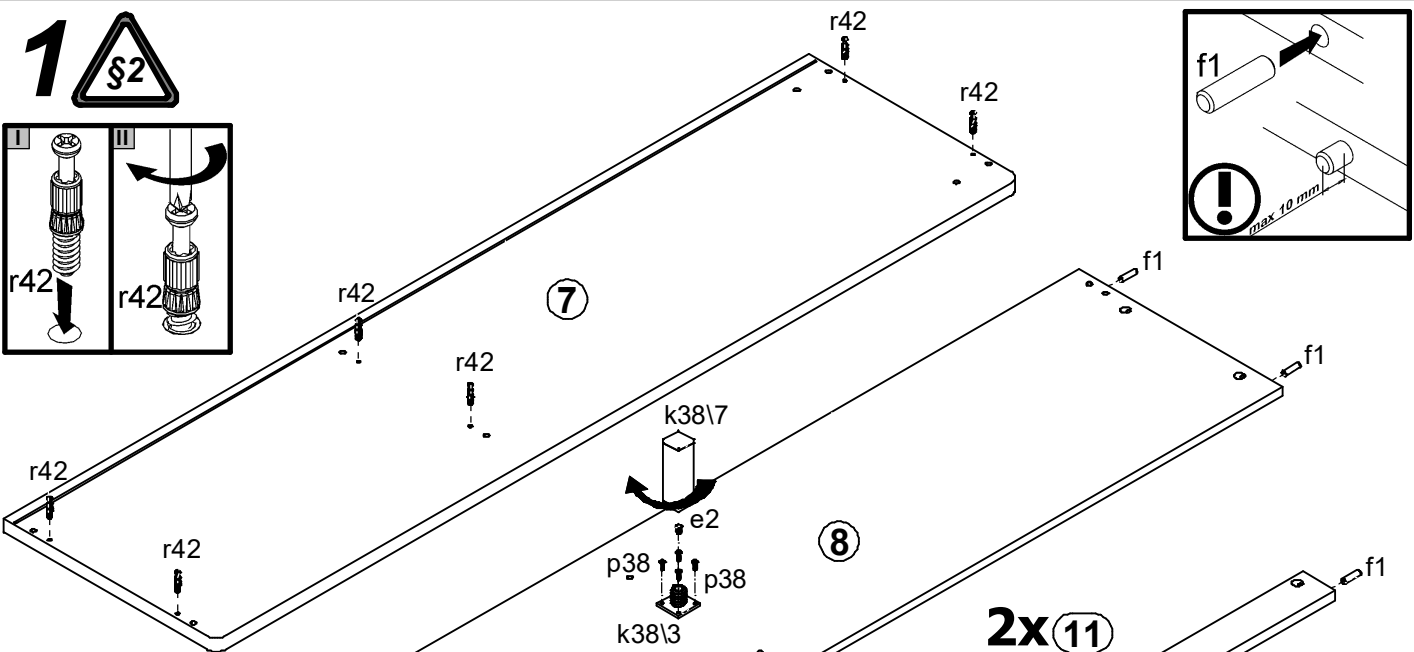
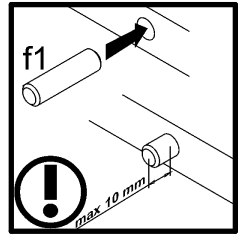
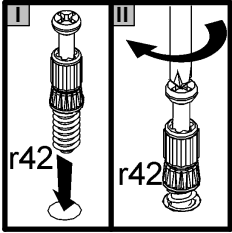


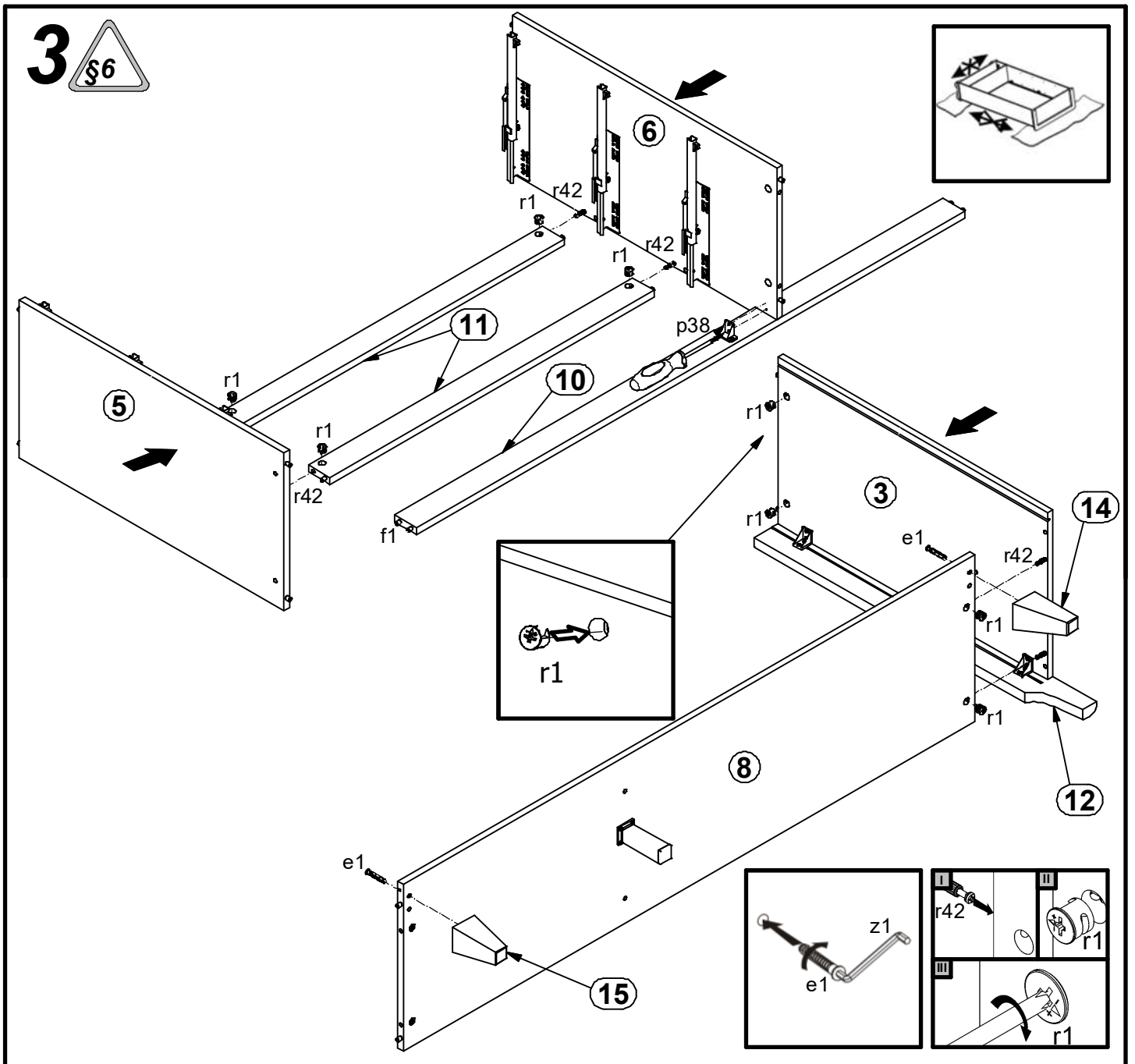
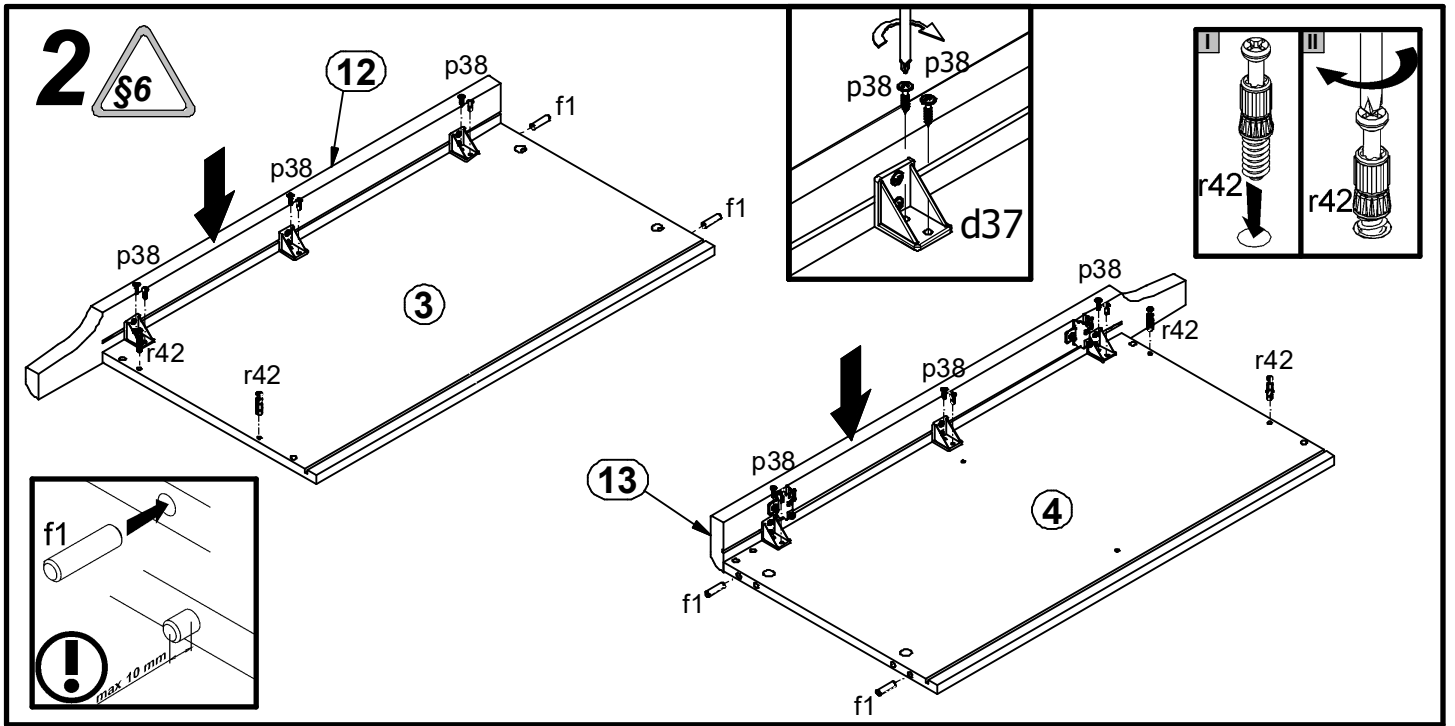
A	B	C	D
1	S472-0001	716	542 3/3
2	S472-0003	896	220 3/3
3	S472-1001	744	398 1/3
4	S472-1002	744	398 1/3
5	S472-1003	729	378 1/3
6	S472-1004	729	378 1/3
7	S472-2001	1610	425 2/3
8	S472-3001	1576	398 2/3
9	S472-3002	602	348 1/3
10	S472-4001	1512	60 2/3
11	S472-4002	894	60 3/3
12	S472-5001	864	80 3/3
13	S472-5002	864	80 3/3
14	S472-5003	120	60 3/3
15	S472-5004	120	60 3/3
16	S472-9001	864	357 1/3
17	S472-9301	1586	741 2/3
18	ZQ6-5203	854	127 1/3
19	ZQ6-511	350	140 1/3
20	ZQ6-512	350	140 1/3



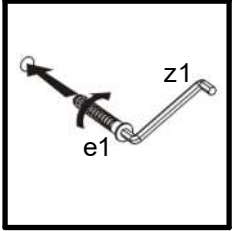
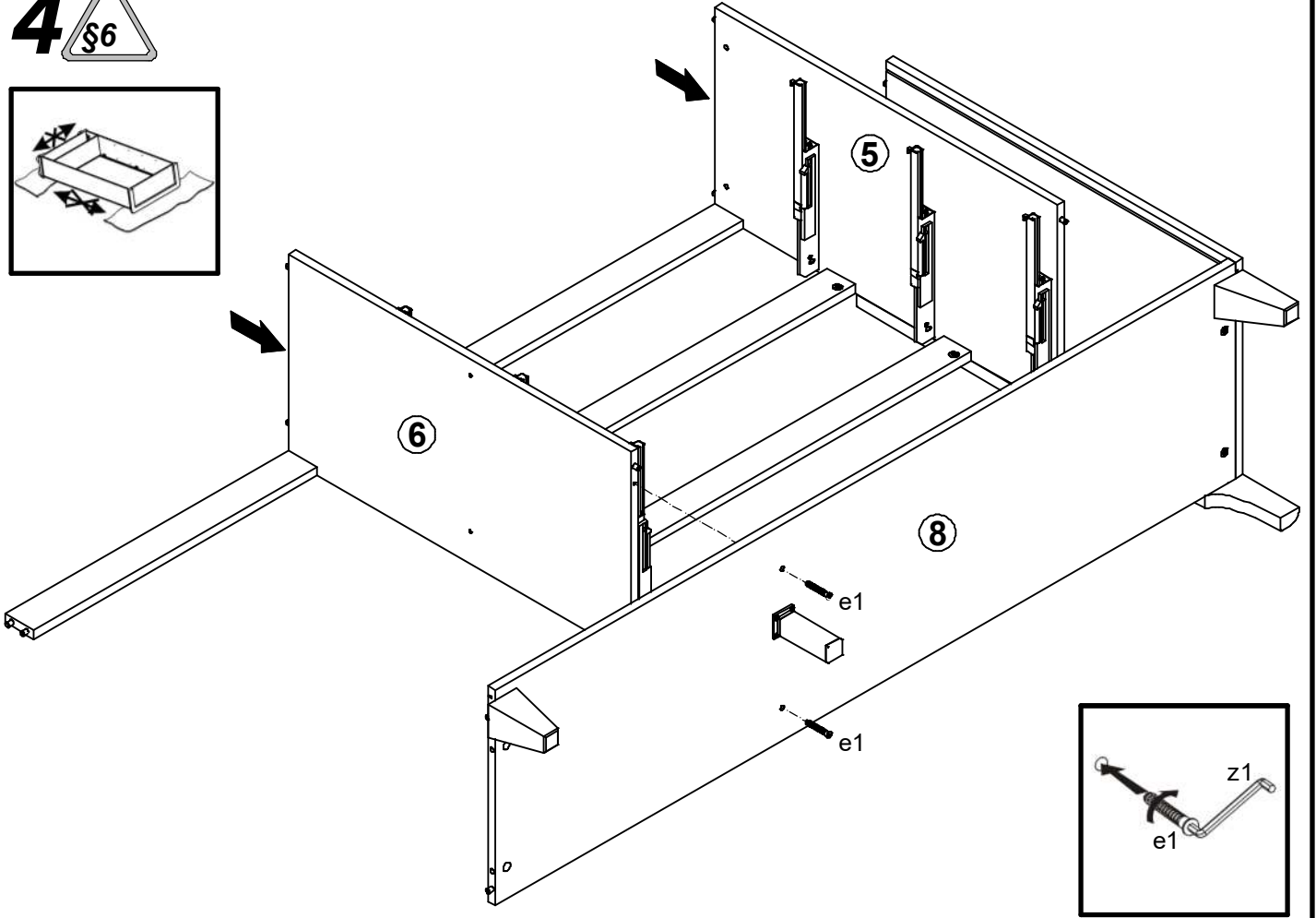
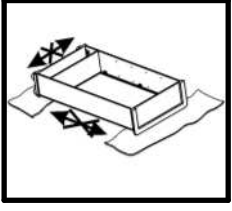
1x a133	2x a132	2x b43	4x Ø5x17 mm d1	6x d37	1x d41.2	4x Ø7x50 mm e1	5x Ø6.3x13 mm e2	18x Ø6x13 mm e3
26x Ø8x30 mm f1	12x Ø6.5x40 mm f25	1x 42.5x42.54 mm k38/3	1x 30x30108 mm k38/7	4x Ø20x3mm k103	12x l2	3x Ø3.5x16 mm p25	3x Ø3.5x10 mm p35	50x Ø3.5x16 mm p38
4x Ø3.5x15 mm p51	10x Ø2.9x16 mm p55	14x Ø15x12 mm #16 r1	12x Ø12x10.5 mm #12 r15	26x 20/11 r42	3x 350 mm t35	3x 350 mm W117/L w117/L	3x 350 mm W117/P w117/P	2x Ø 20mm s68
1x 4 mm z1							1x n26	1x Ø3.5x16 mm p38

1 

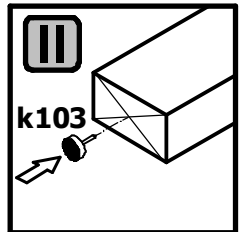
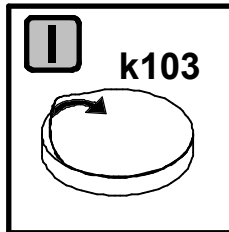
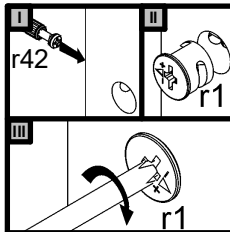
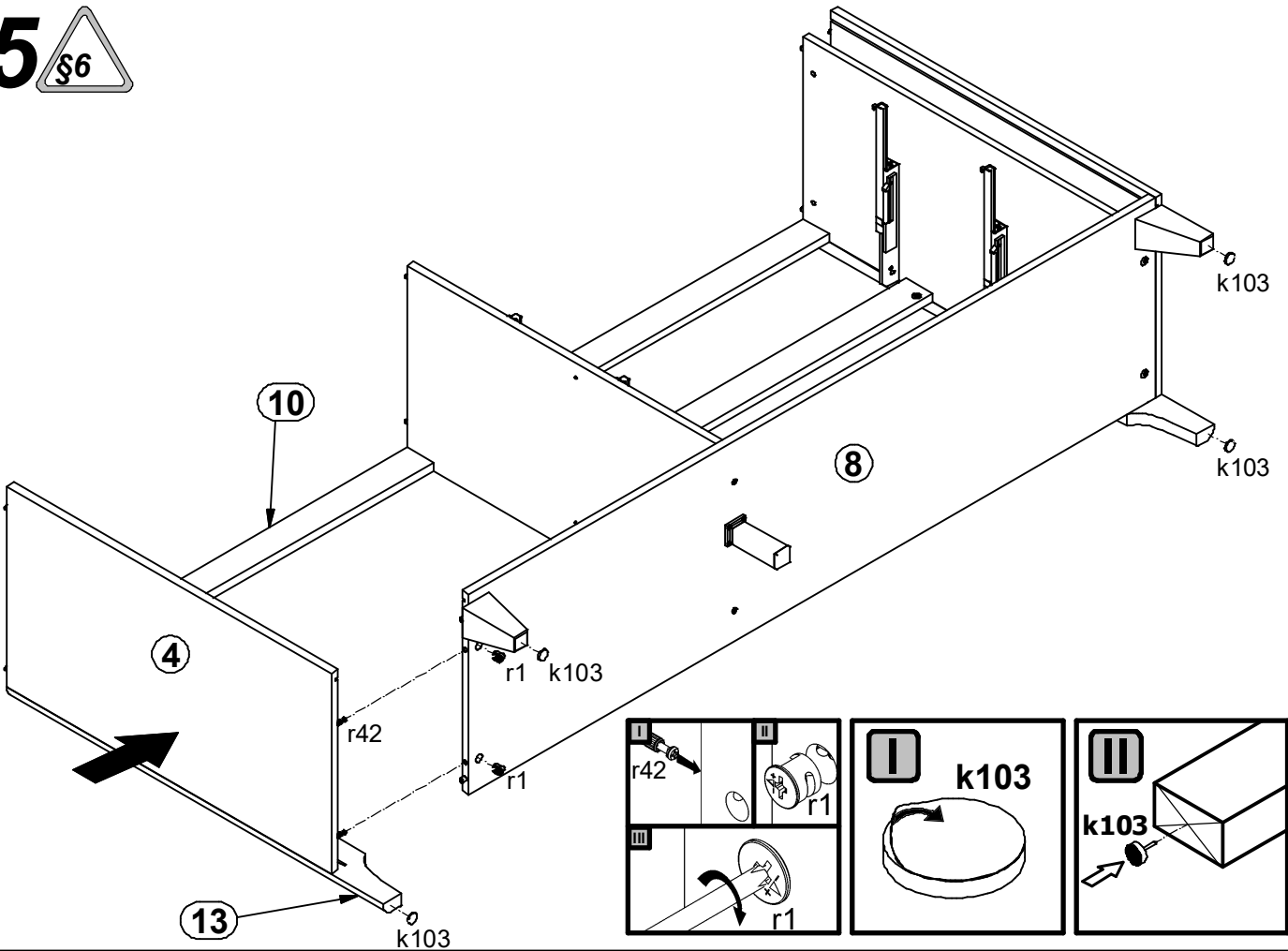




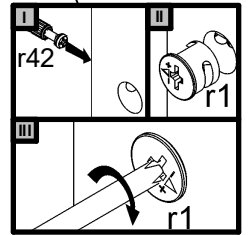
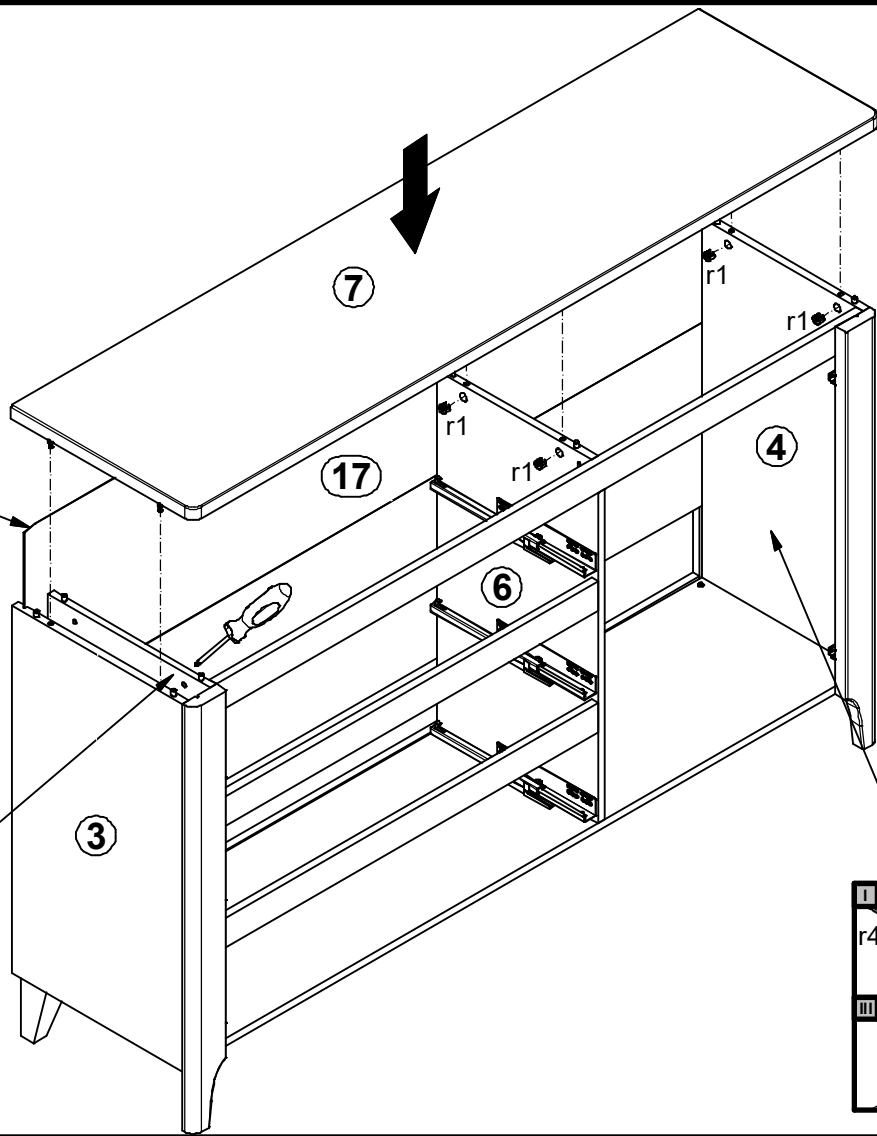
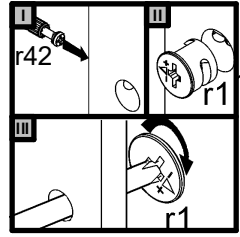
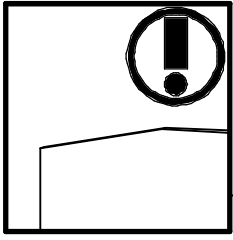
4



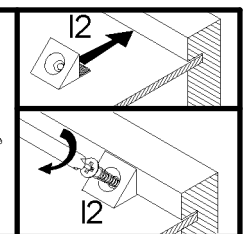
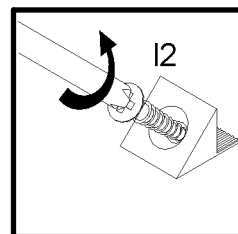
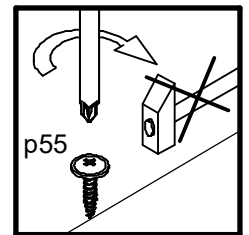
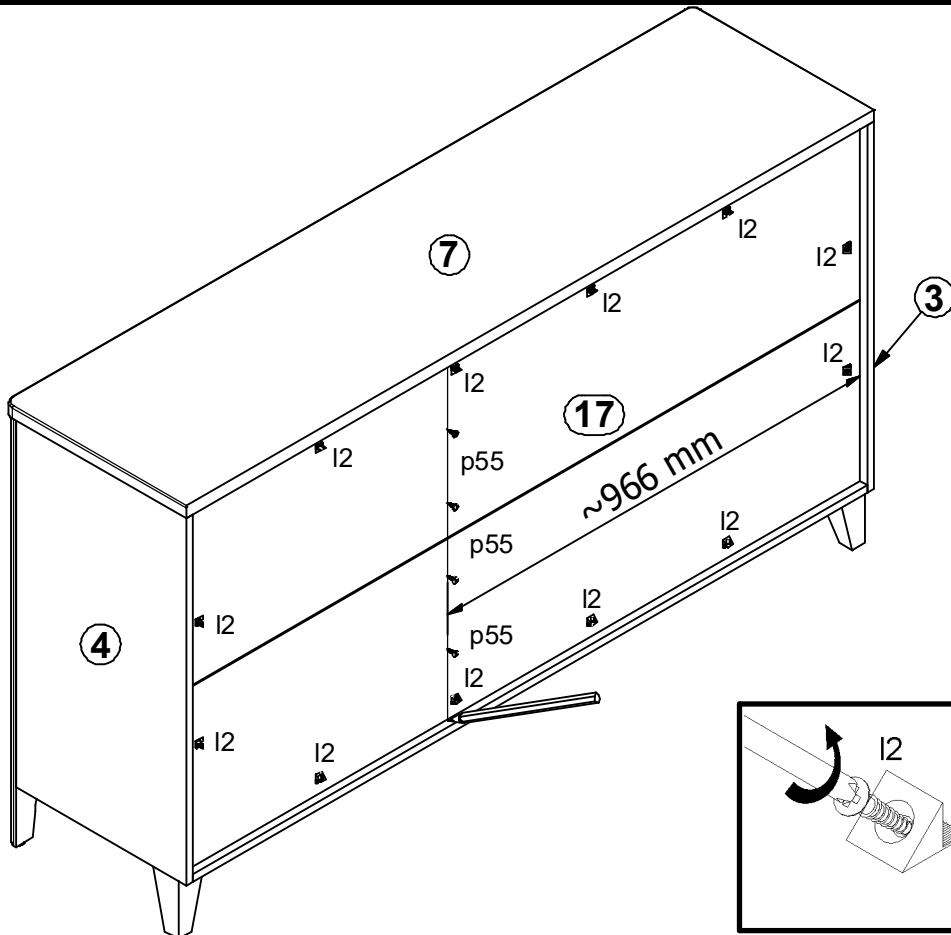
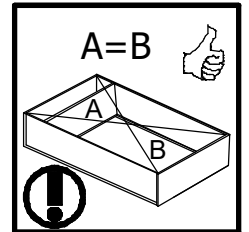
5



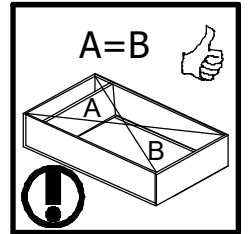
6



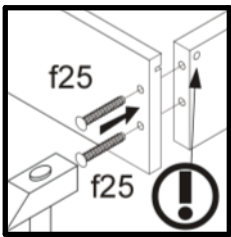
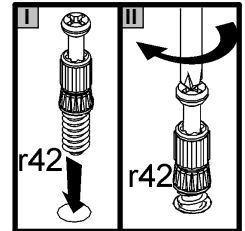
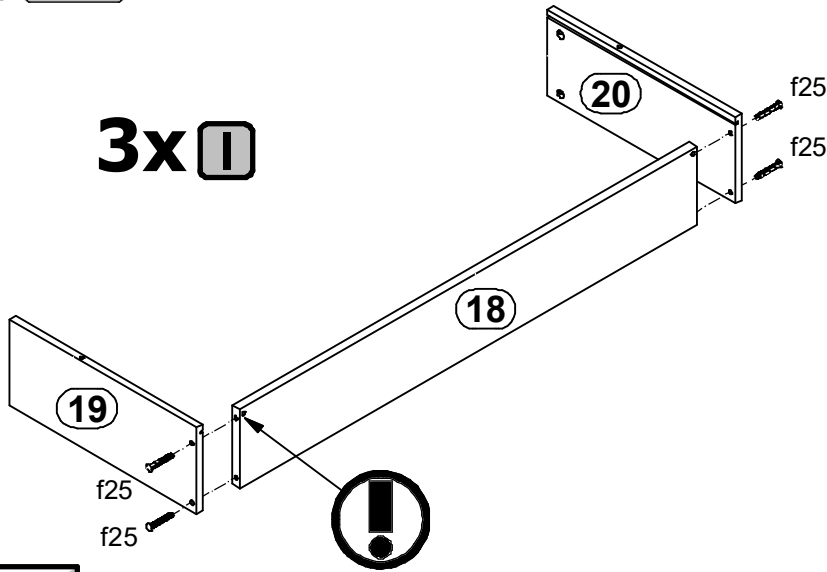
7



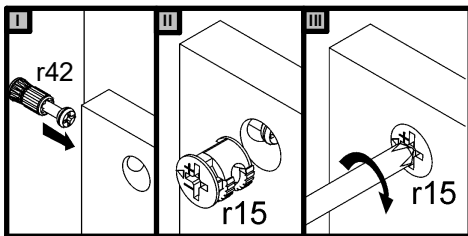
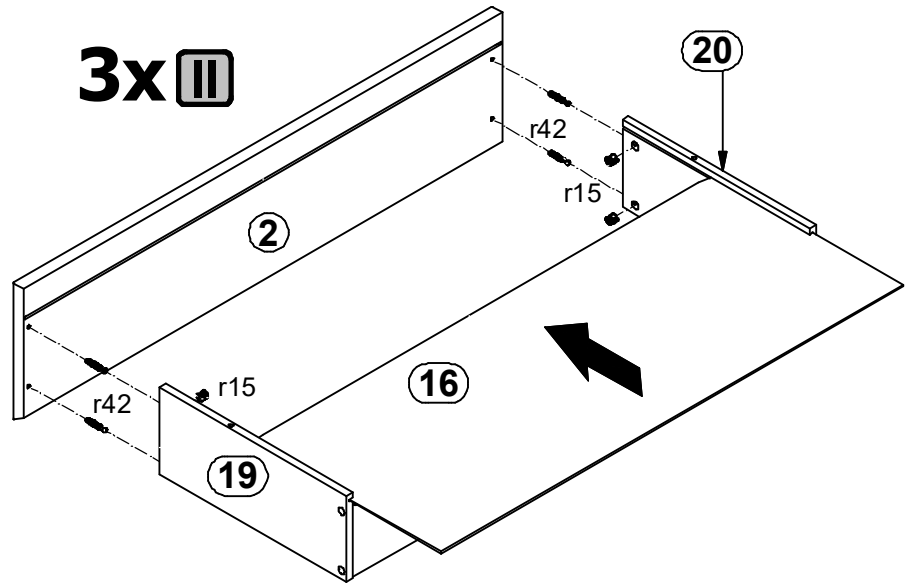
8  



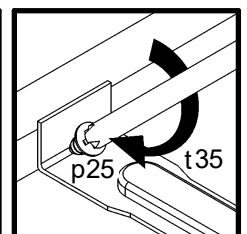
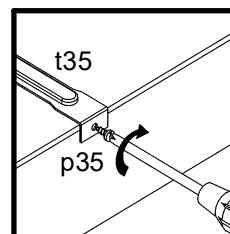
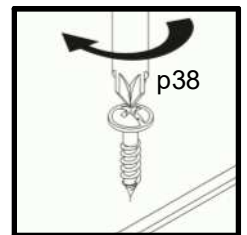
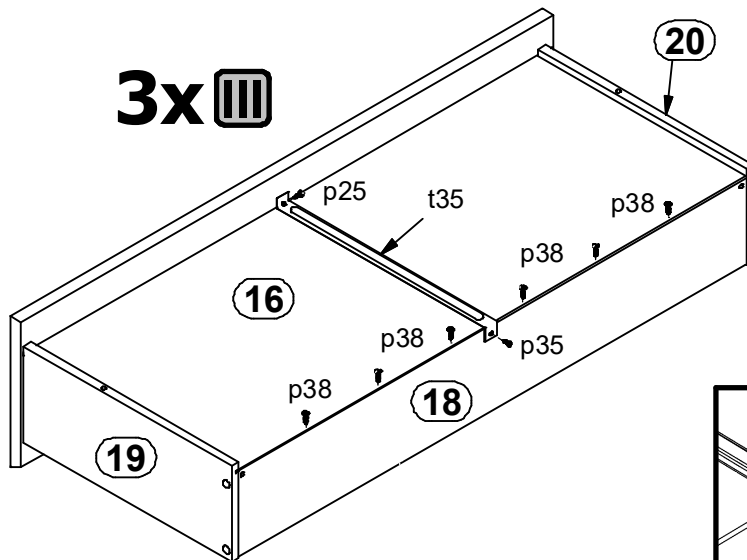
3x 



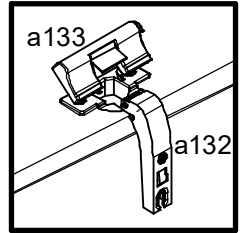
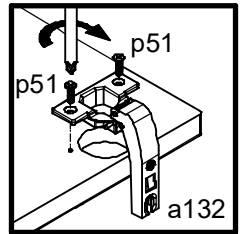
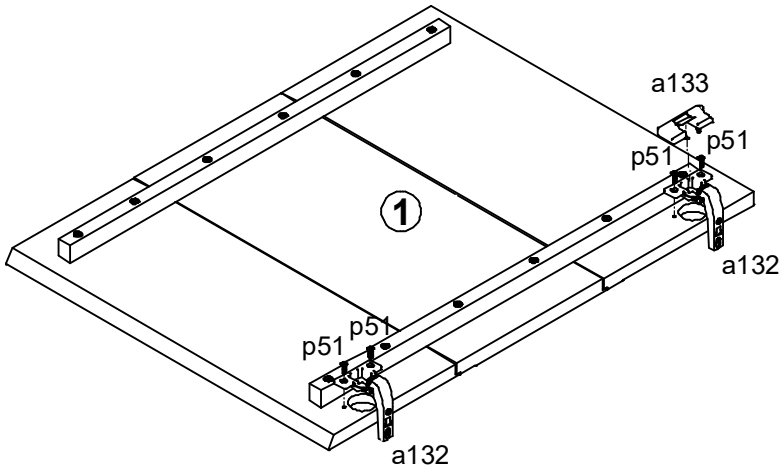
3x 



3x 



9 §2



10 §6

