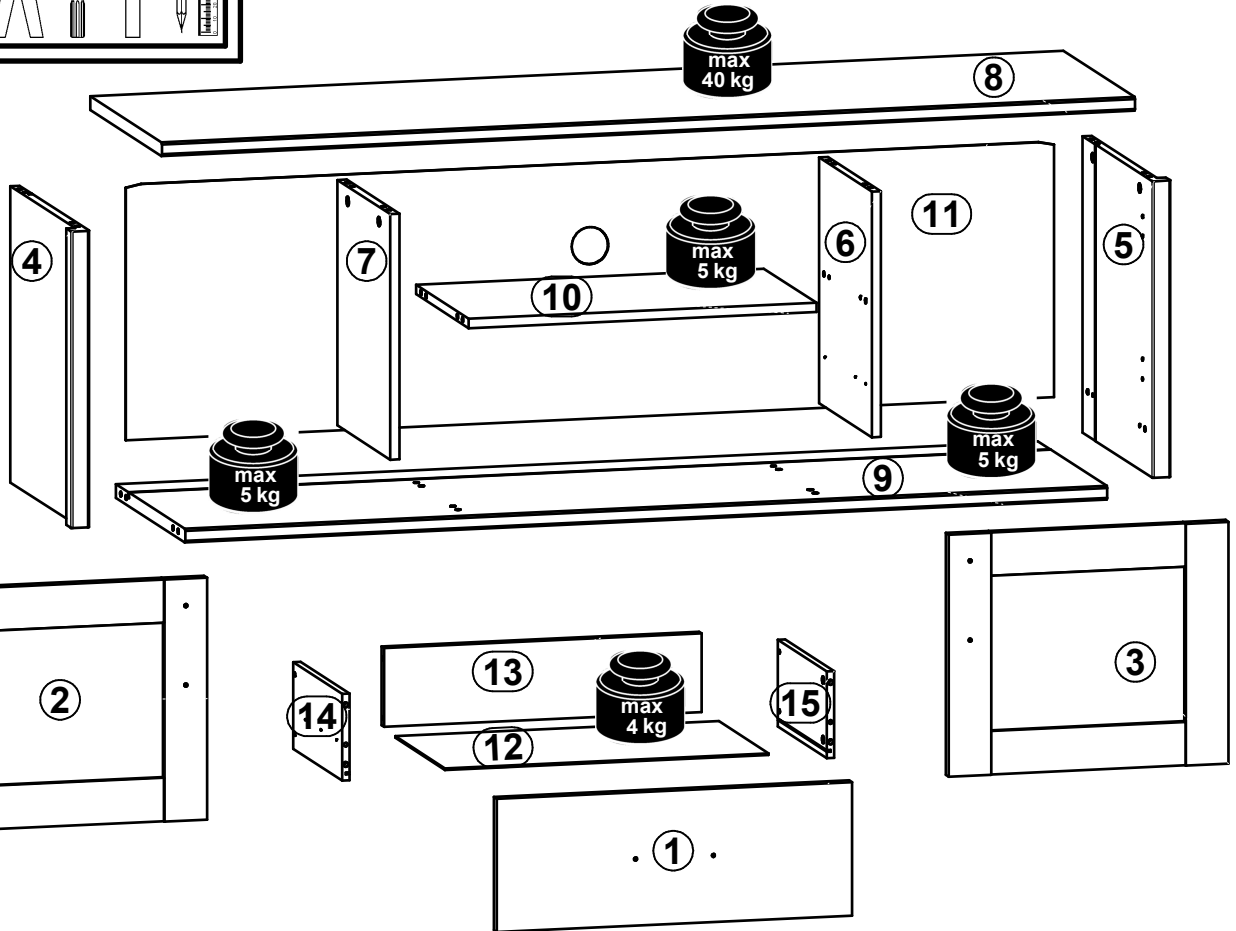
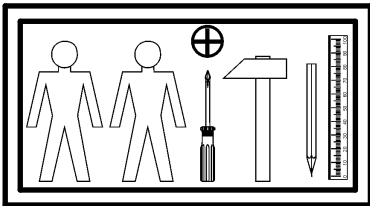
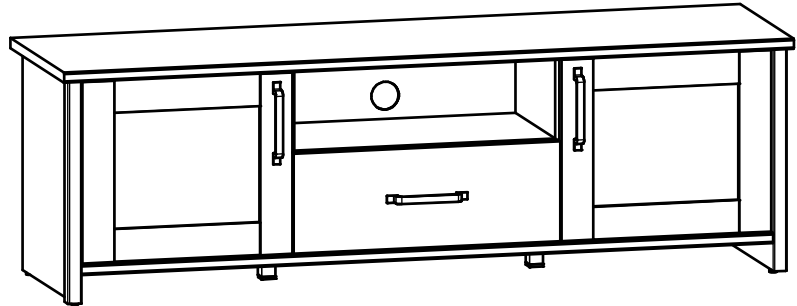
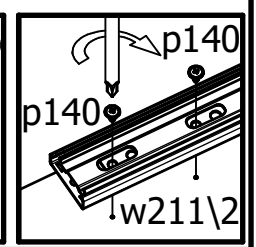
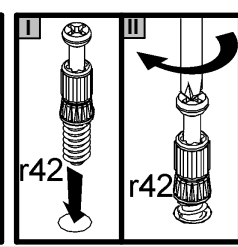
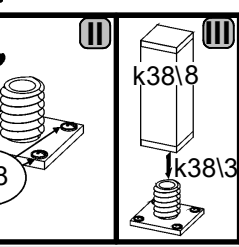
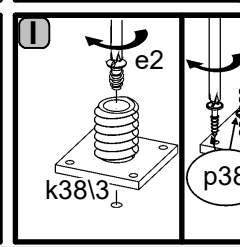
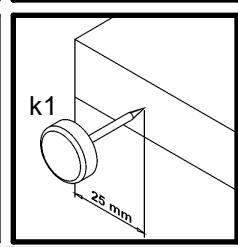
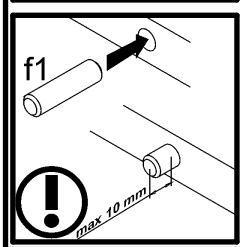
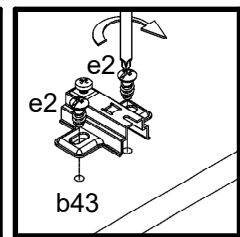
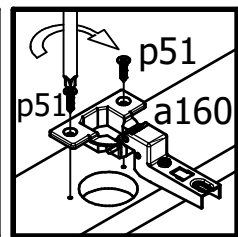
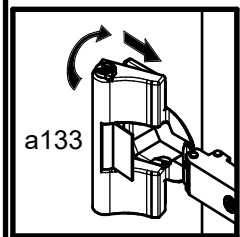
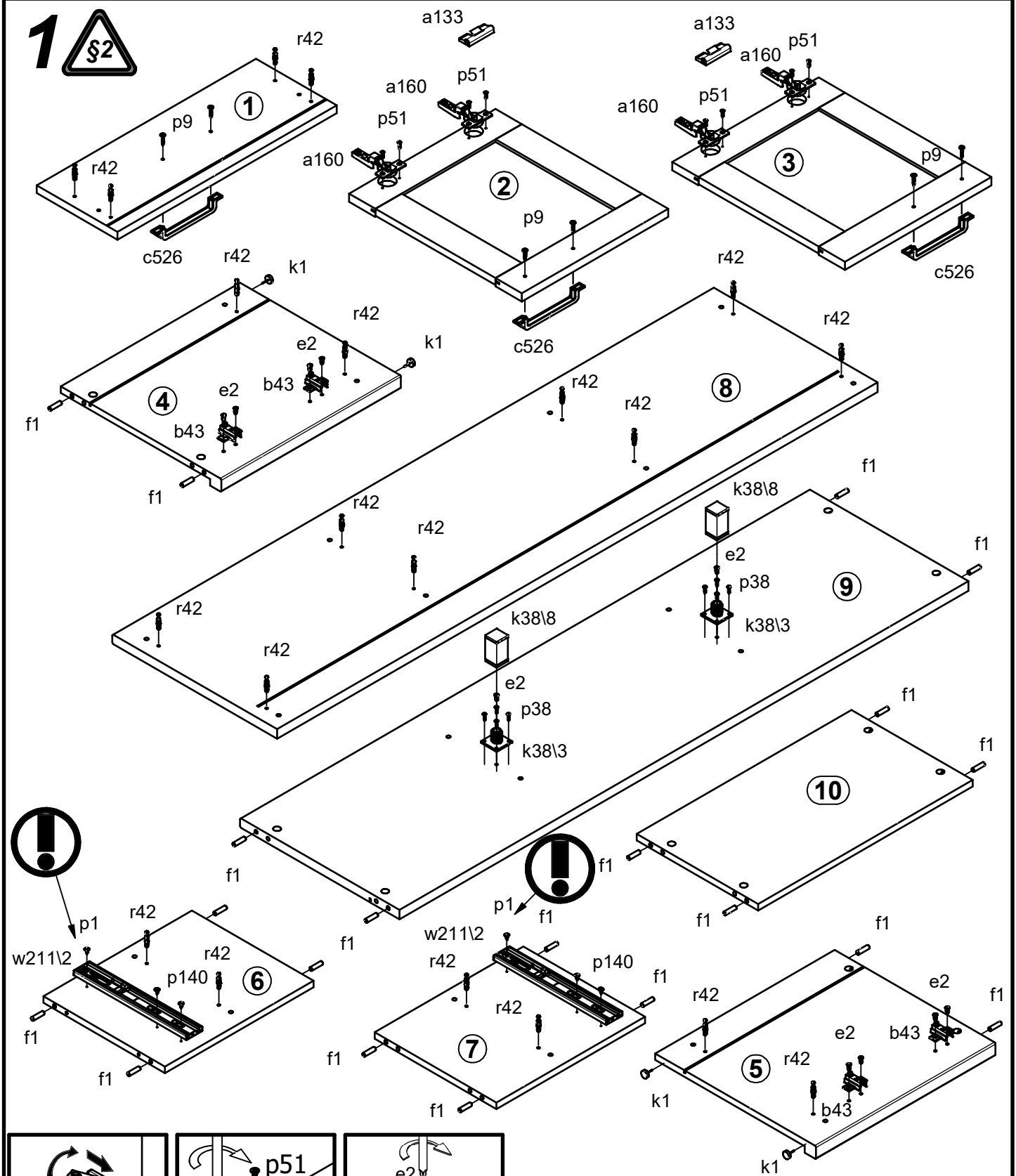


A	B	C	D	
1	S455-0019	584	215	1/2
2	S455-0020	390	460	1/2
3	S455-0021	390	460	1/2
4	S455-1023	478	428	1/2
5	S455-1024	478	428	1/2
6	S455-1025	396	324	1/2
7	S455-1026	396	324	1/2
8	S455-2011	1600	439	2/2
9	S455-3025	1516	425	2/2
10	S455-3026	572	323	1/2
11	S455-9011	412	1526	2/2
12	S455-9012	532	305	1/2
13	ZK3-5048	522	127	1/2
14	ZK4-511	300	140	1/2
15	ZK4-512	300	140	1/2

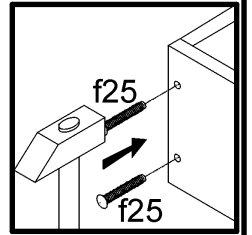
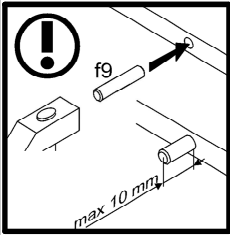
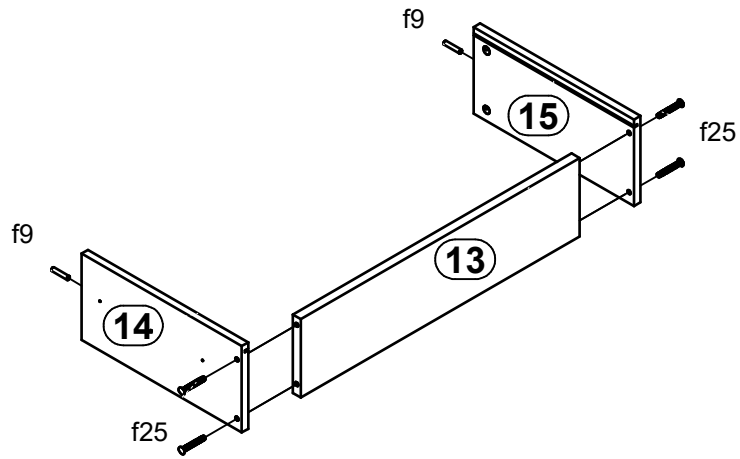


2x a133	4x a160	4x b43	3x c526	4x e1	10x e2	20x f1	4x f25	2x f9
4x k1	2x k38l3	2x k38l8	10x l1	8x l2	2x p1	6x p9	1x p25	1x p35
13x p38	8x p51	10x p140	16x r1	4x r15	20x r42	1x t25	2x w211v1	2x w211v2
6x s2	1x z1	1x n26l1						

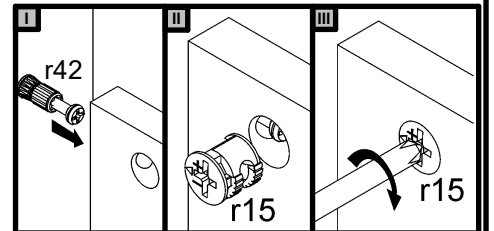
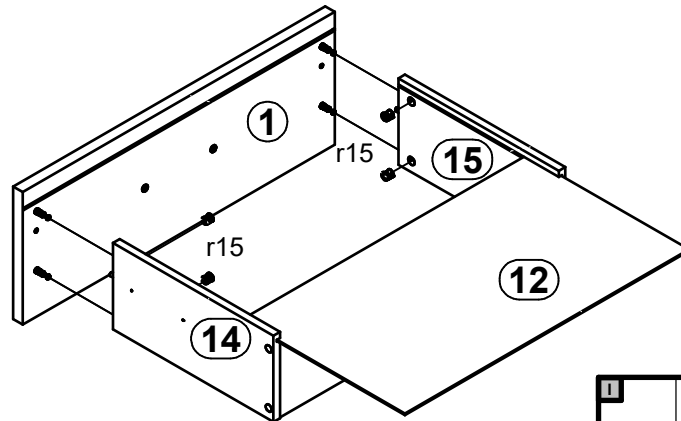
1 



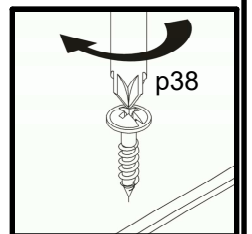
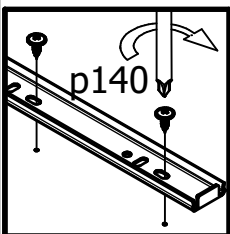
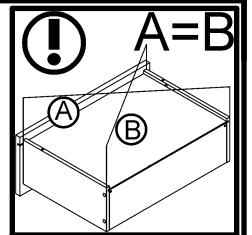
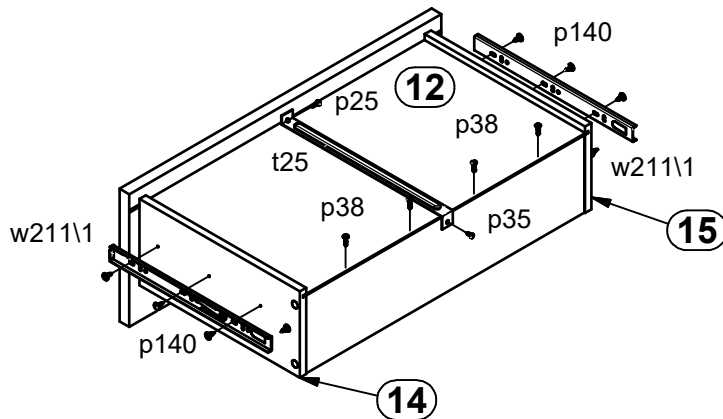
2



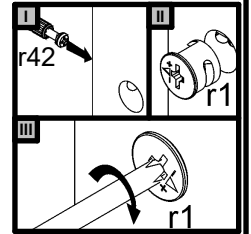
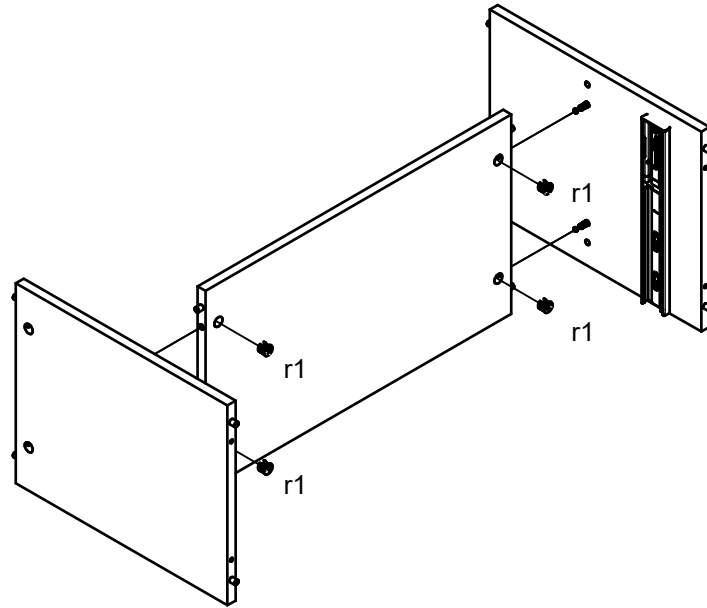
3



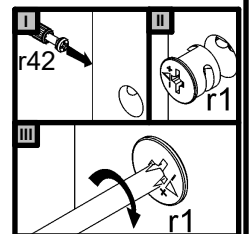
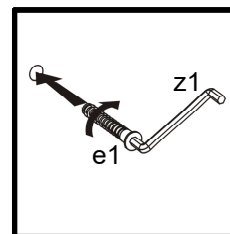
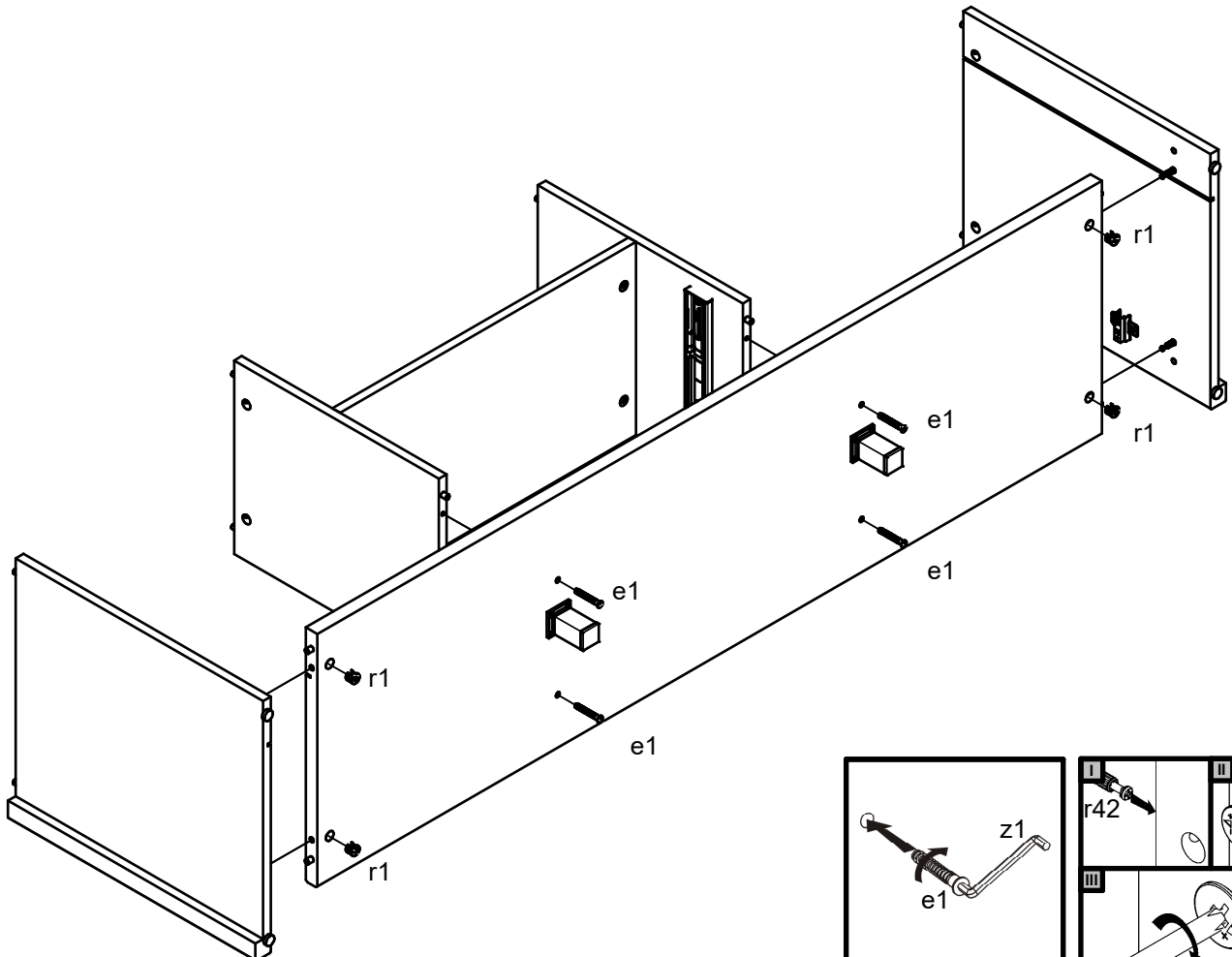
4

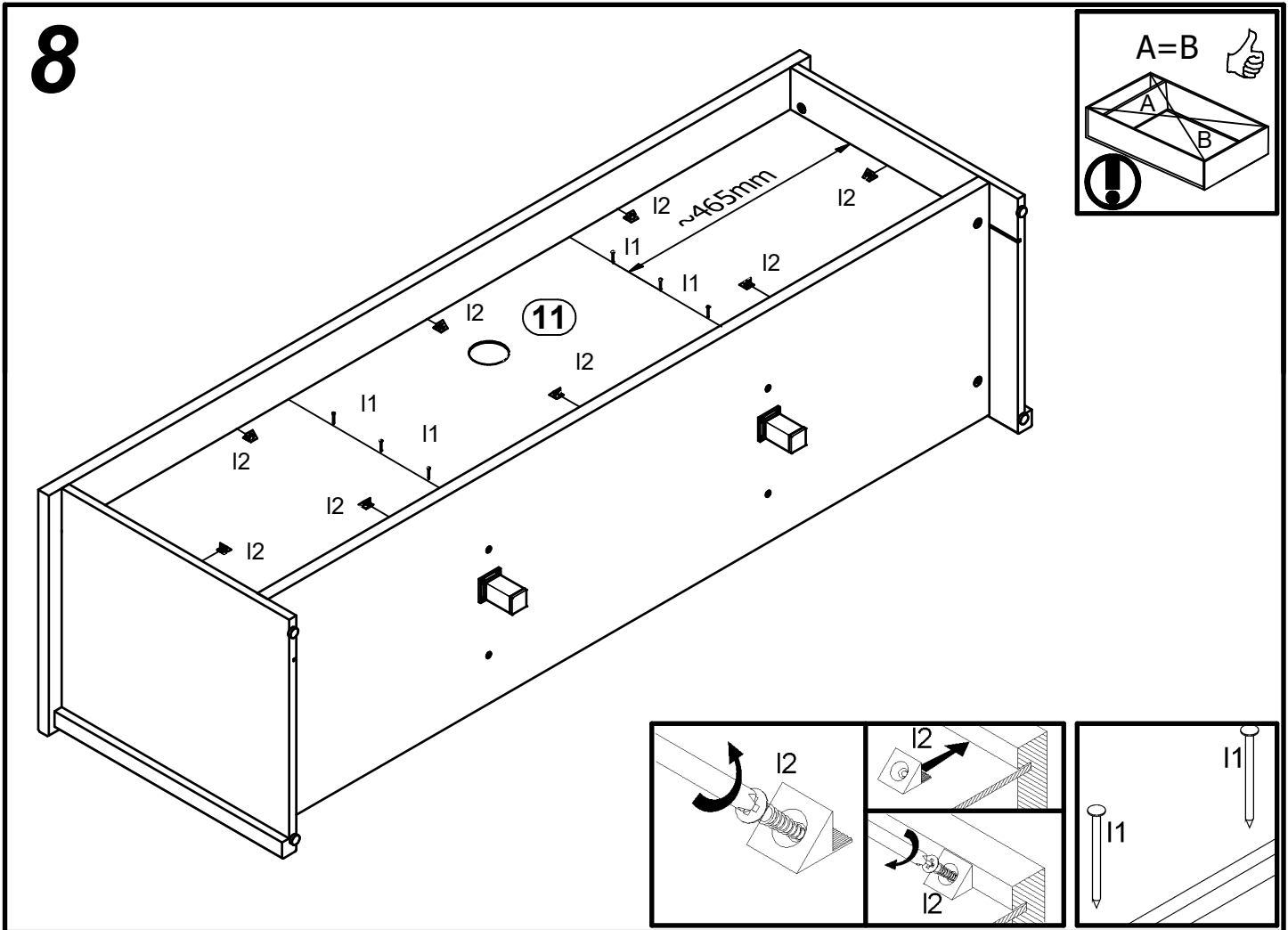
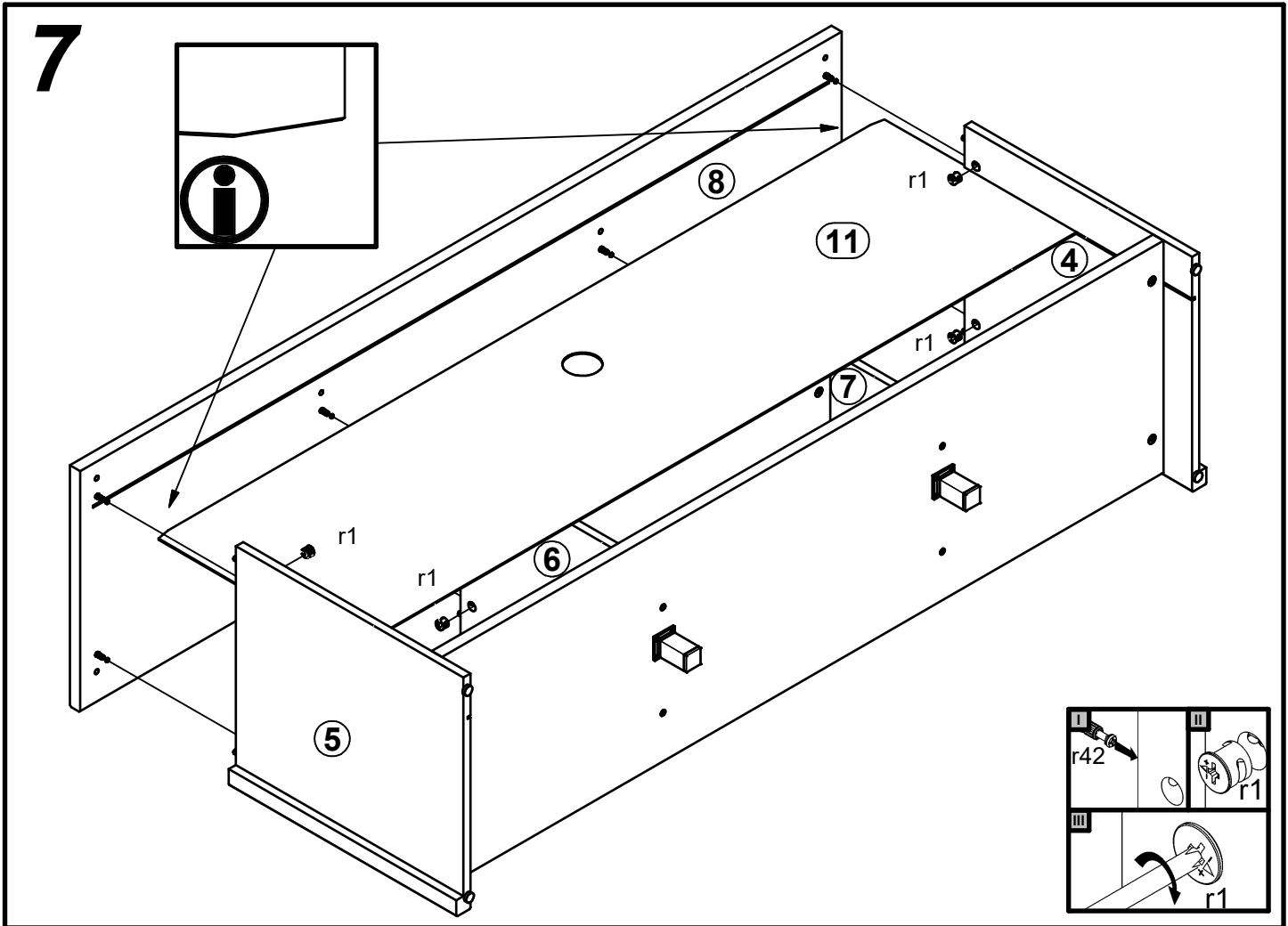


5



6





9

