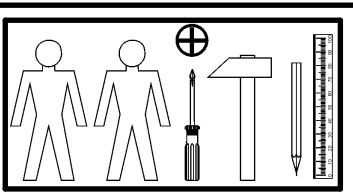
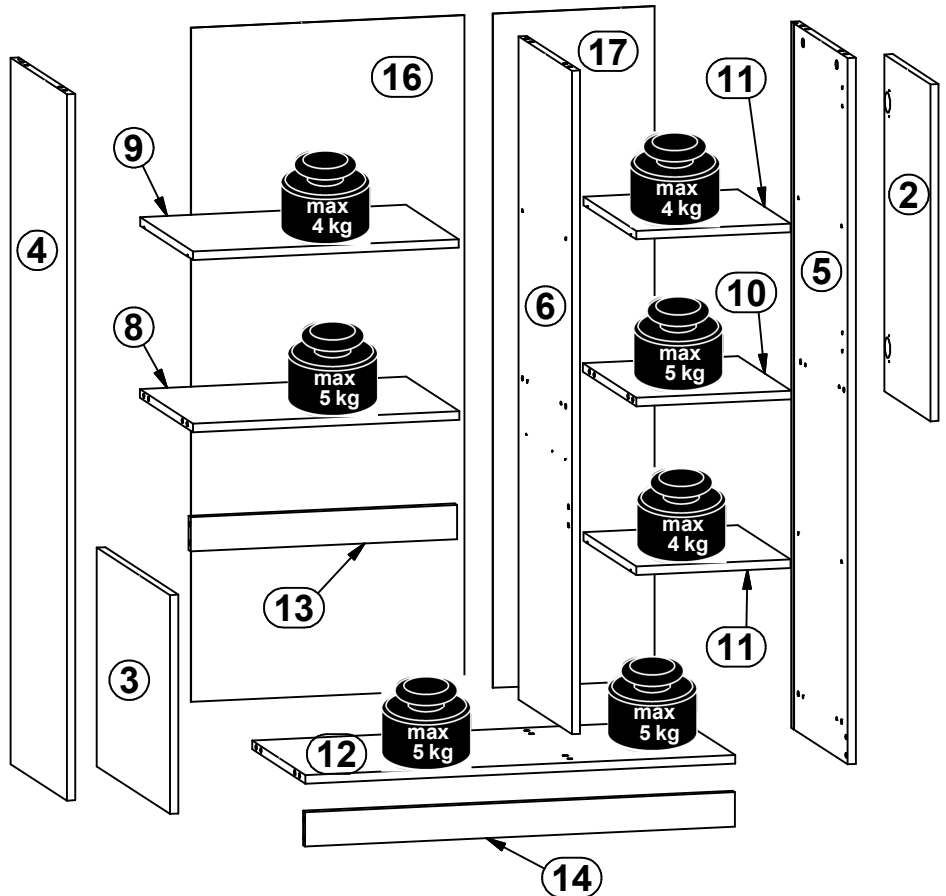
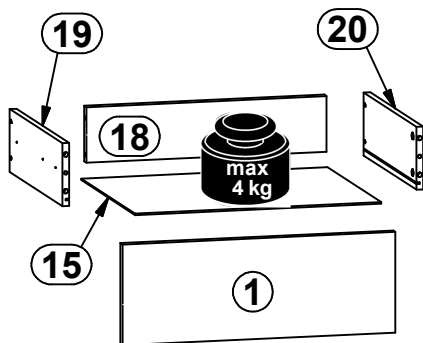
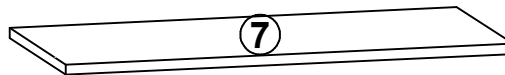
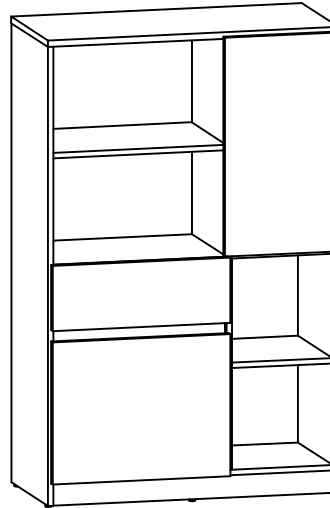
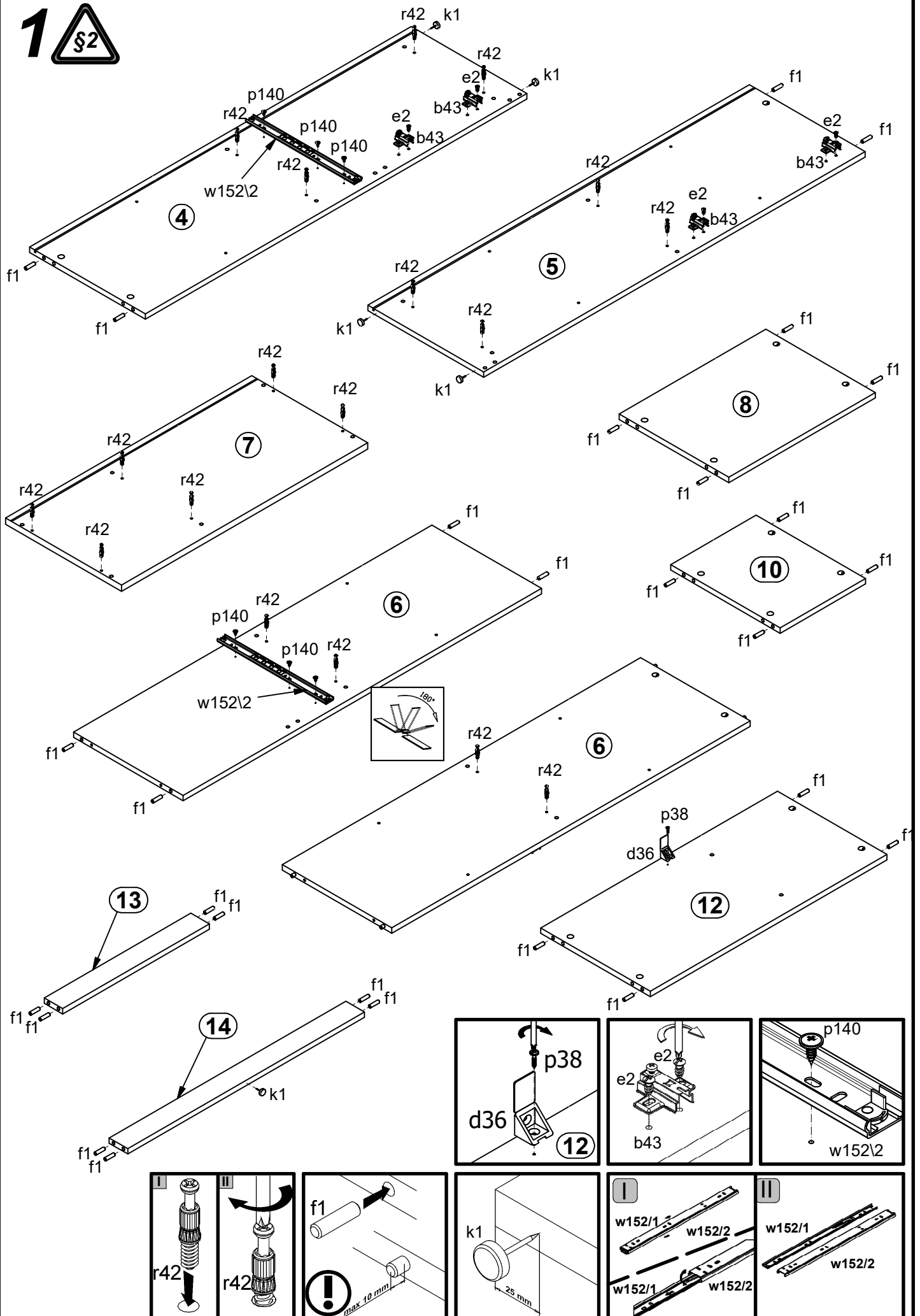


A	B	C	D	
1	S441-0007	486	176	2/2
2	S441-0008	588	306	2/2
3	S441-0012	382	486	2/2
4	S441-1019	1233	374	1/2
5	S441-1020	1233	374	1/2
6	S441-1021	1158	354	1/2
7	S441-2007	796	375	1/2
8	S441-3001	474	354	1/2
9	S441-3002	473	352	1/2
10	S441-3007	276	354	1/2
11	S441-3008	275	352	1/2
12	S441-3013	765	354	1/2
13	S441-4003	474	60	1/2
14	S441-4011	765	60	1/2
15	S441-9001	438	357	1/2
16	S441-9007	1177	486	1/2
17	S441-9008	1177	288	1/2
18	ZK3-5013	428	97	1/2
19	ZK3-519	350	110	1/2
20	ZK3-520	350	110	1/2

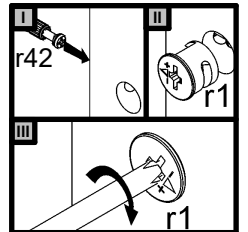
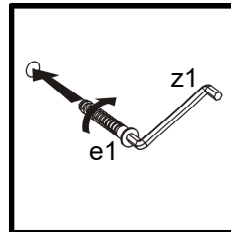
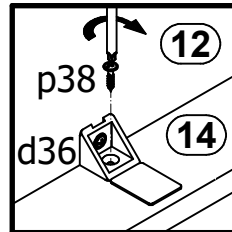
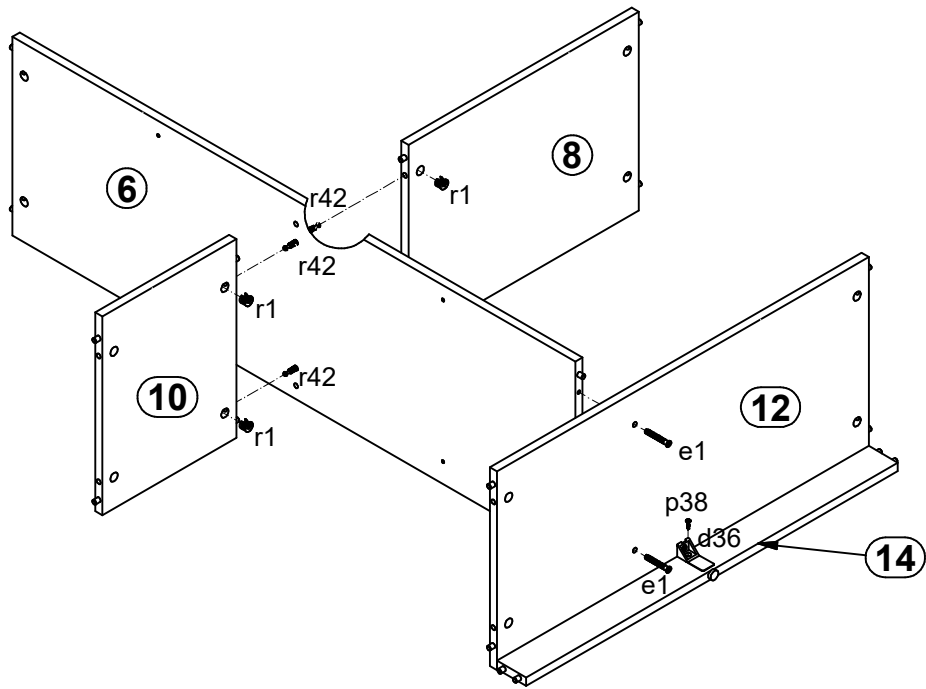


2x  a133	4x  a159	4x  b43	12x  d1 Ø5x17 mm	1x  d36	2x  e1 Ø7x50 mm	8x  e2 Ø6,3x13 mm	28x  f1 Ø8x30 mm	4x  f25 Ø6,5x40 mm
2x  f9 Ø6x30 mm	5x  k1	15x  l1 1,4x20 mm	8x  l2	6x  n108 22x9,5x20,7 mm	12x  p140 Ø3,5x12 mm	5x  p38 Ø3,5x16 mm	8x  p51 Ø3,5x15 mm	6x  p55 Ø2,9x16 mm
18x  r1 Ø15x12 mm #16	4x  r15 Ø12x10,5 mm #12	22x  r42 20/11	2x  w152\1 350/580 mm	2x  w152\2 350/580 mm	6x  s68 Ø 20mm	1x  z1 4 mm	1x  n26	1x  p38 Ø3,5x16 mm

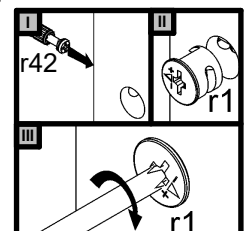
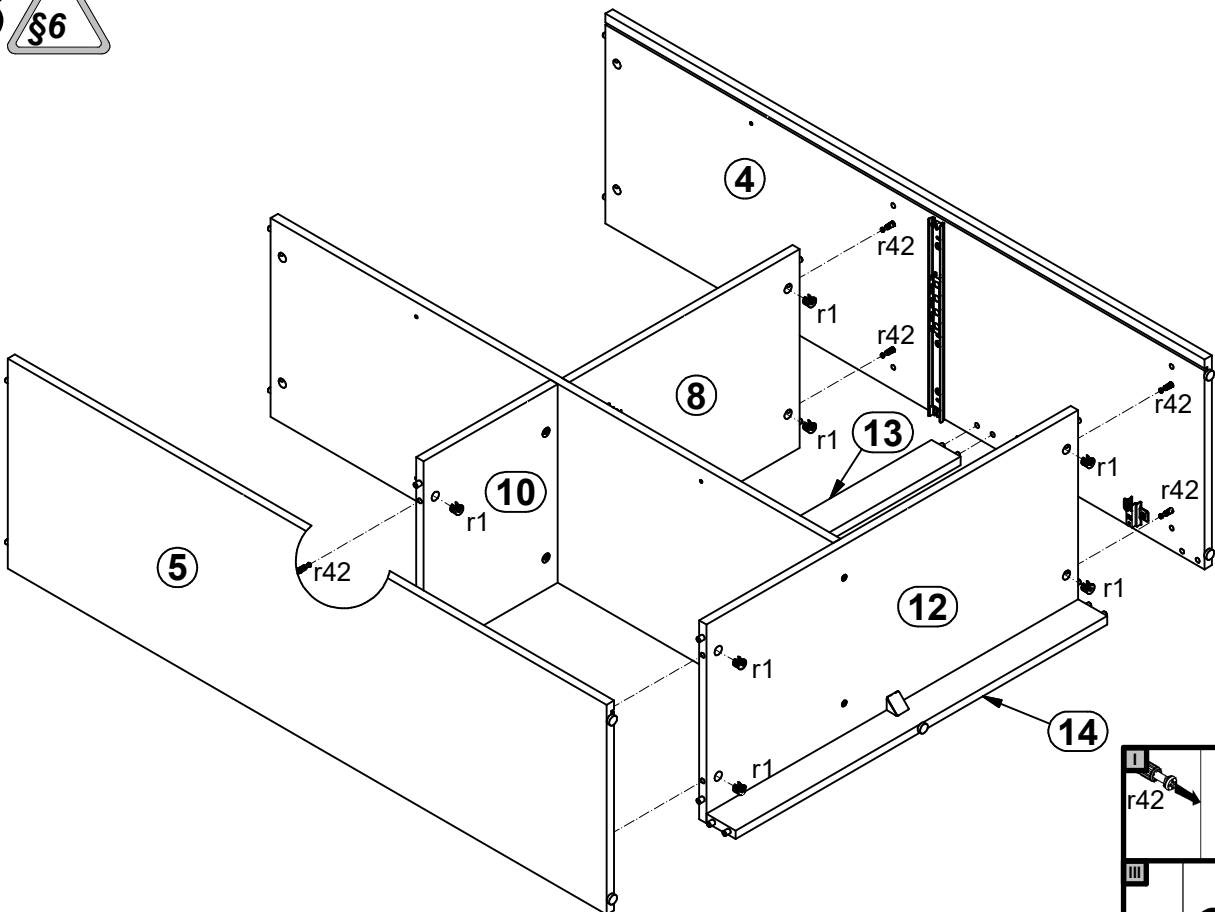
1 



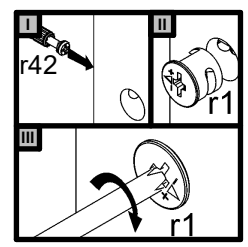
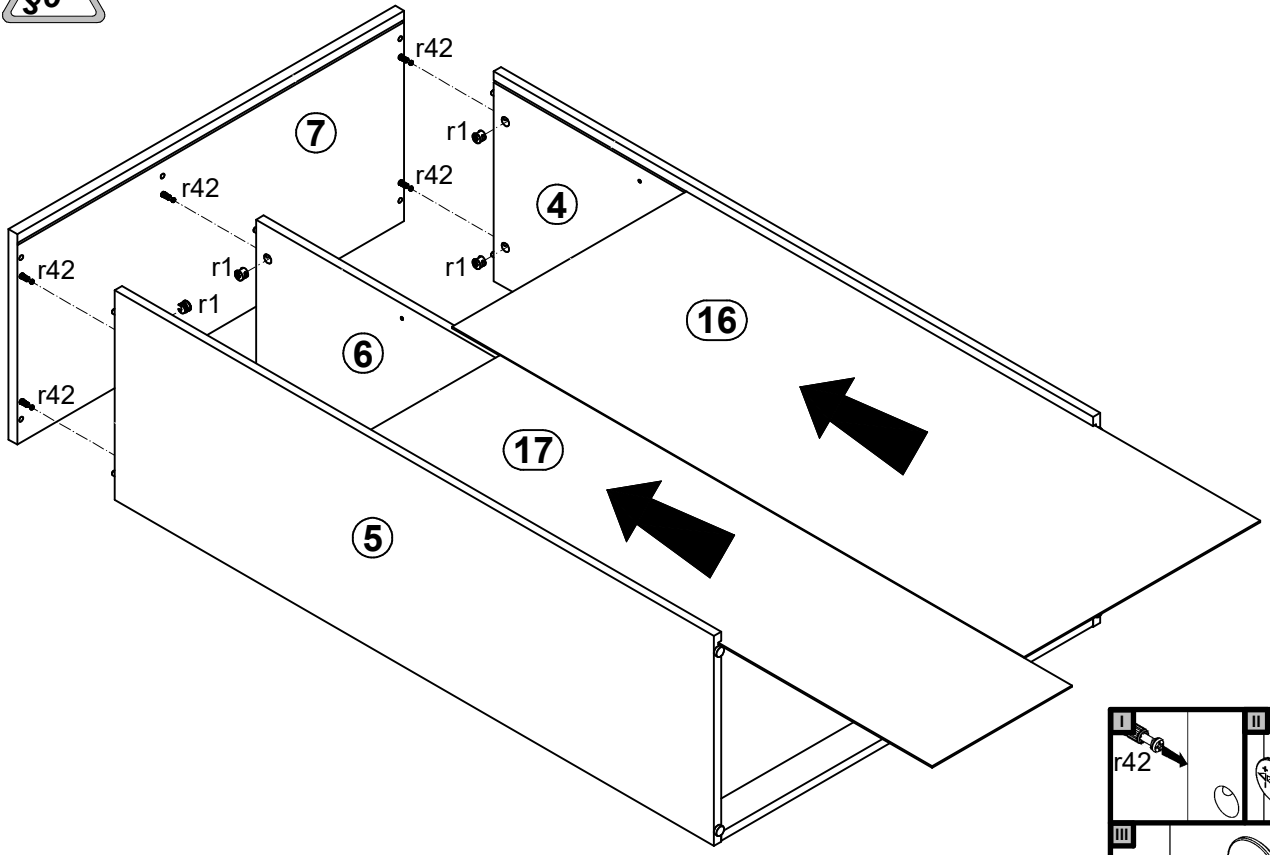
2 



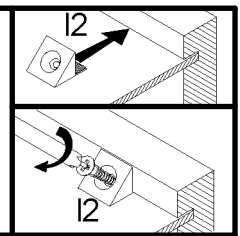
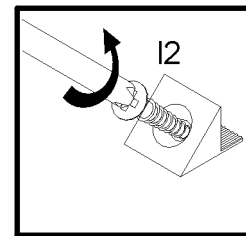
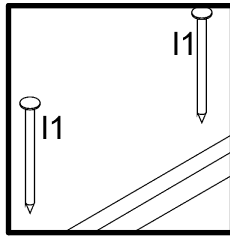
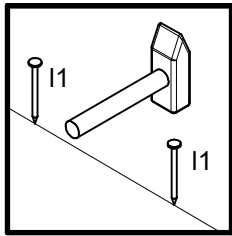
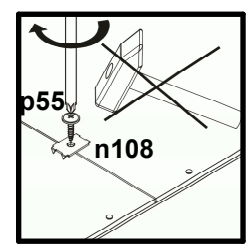
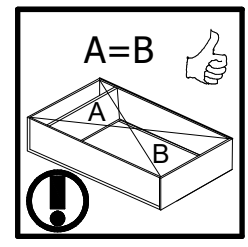
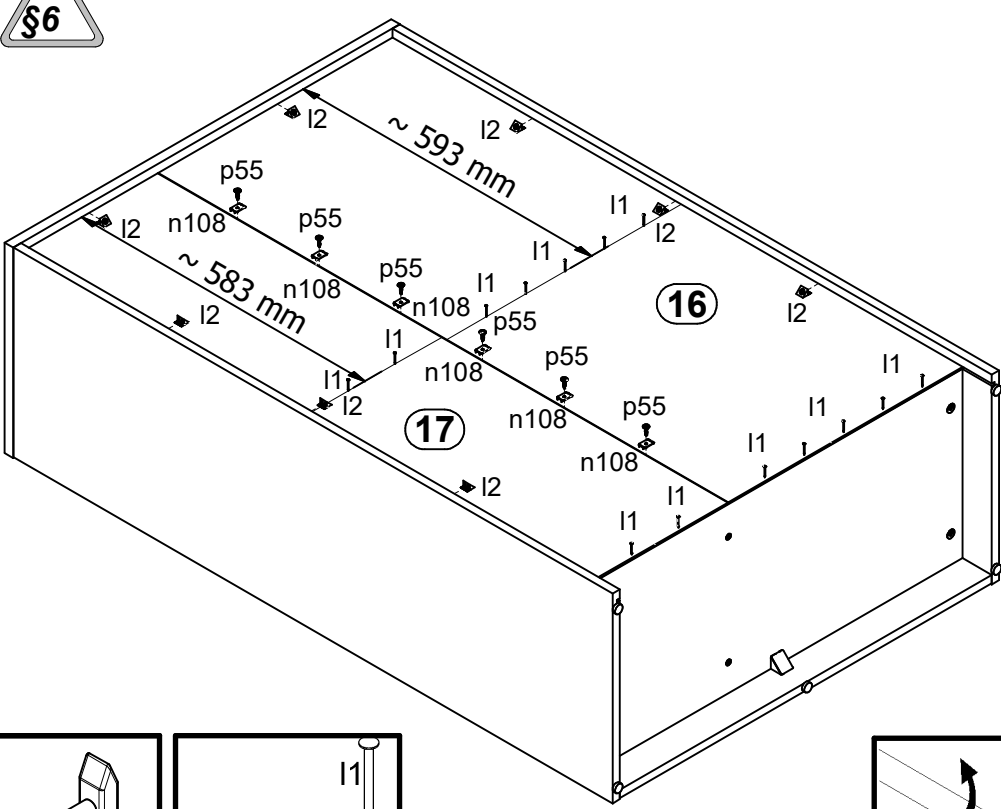
3 



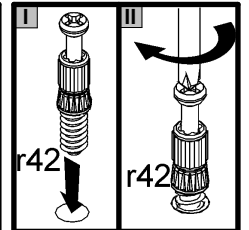
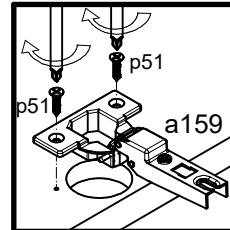
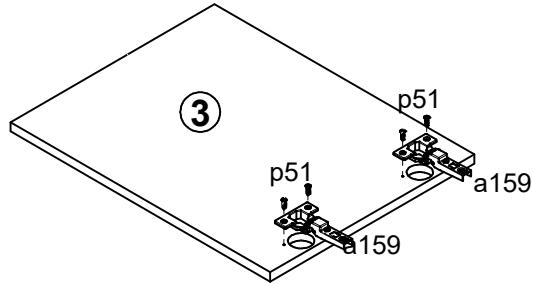
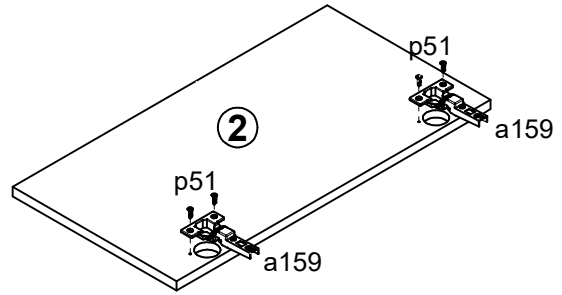
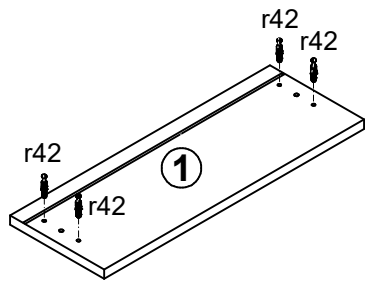
# 4



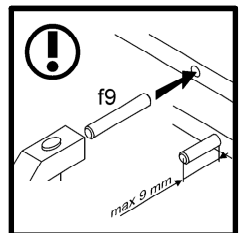
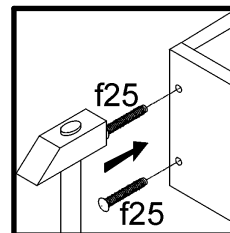
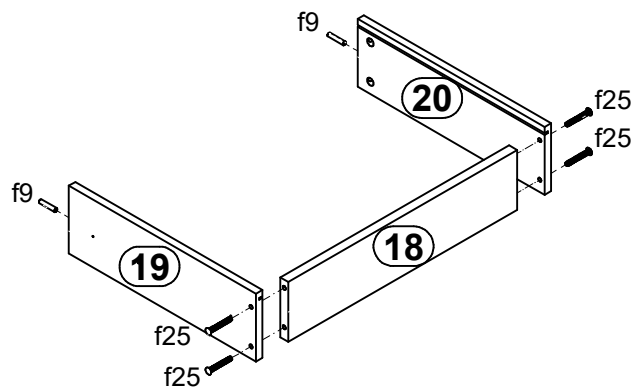
# 5



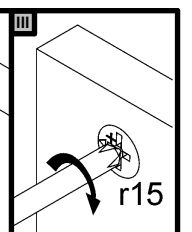
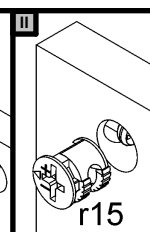
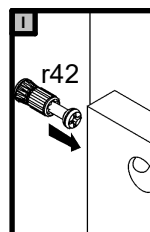
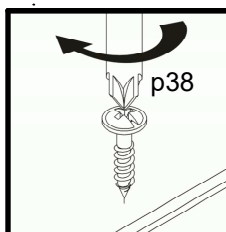
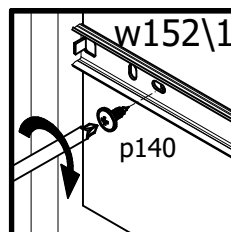
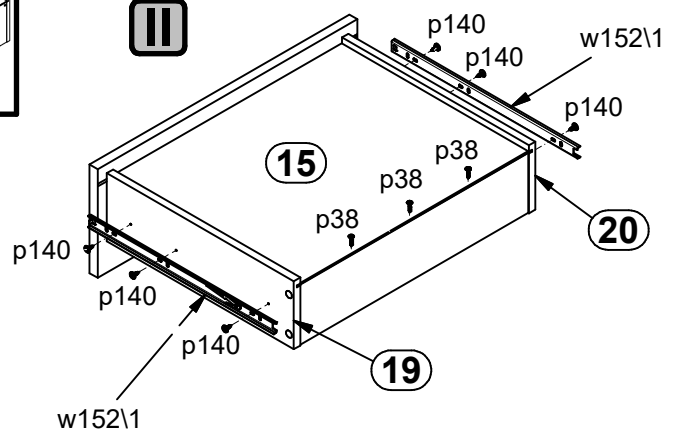
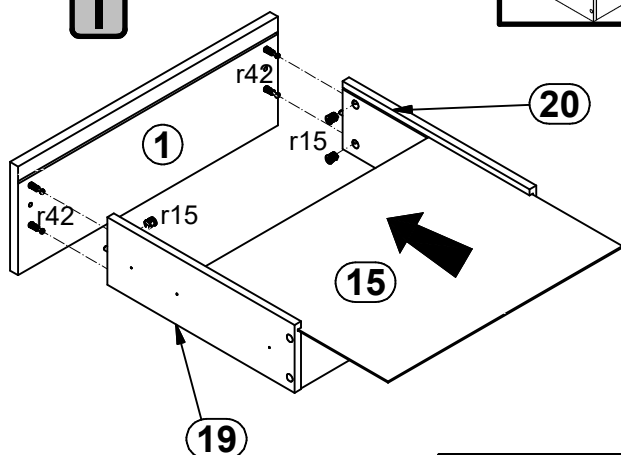
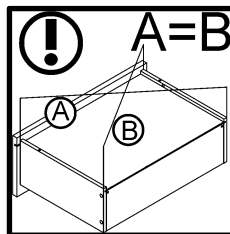
# 6



# 7



# 8



9 §6

