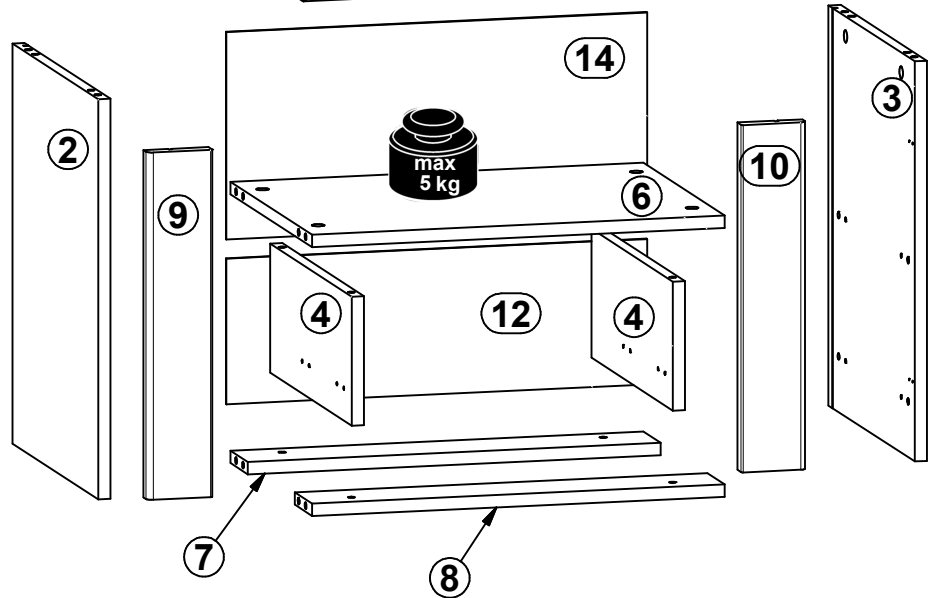
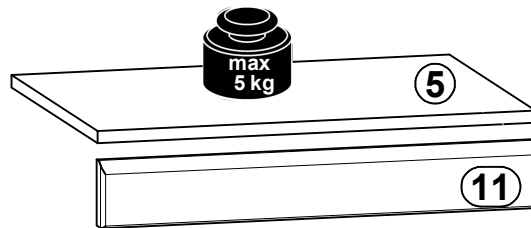
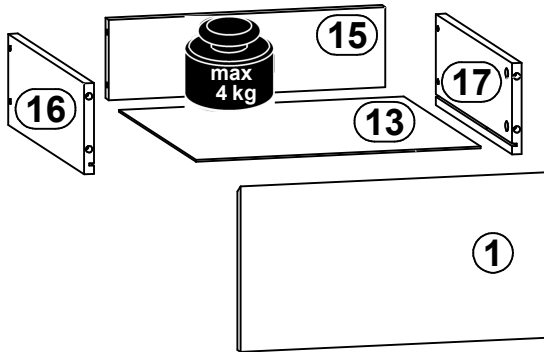
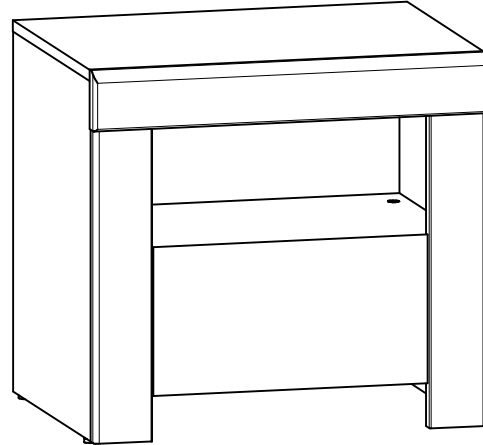
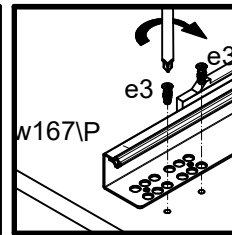
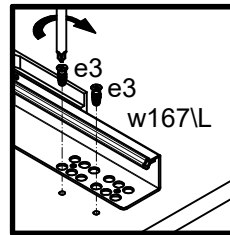
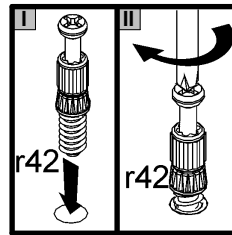
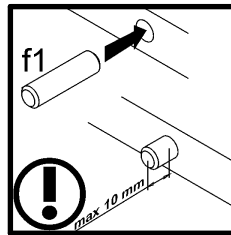
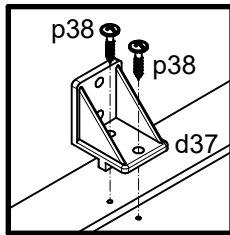
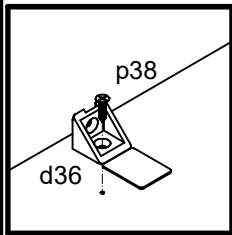
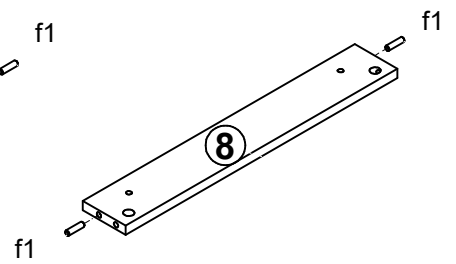
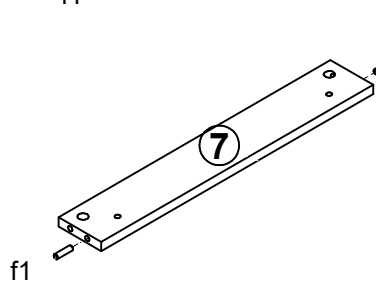
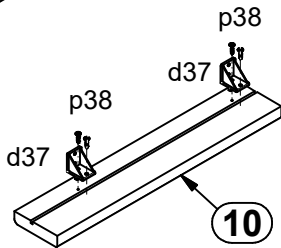
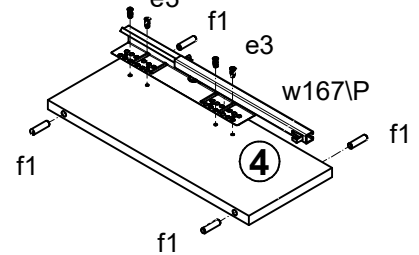
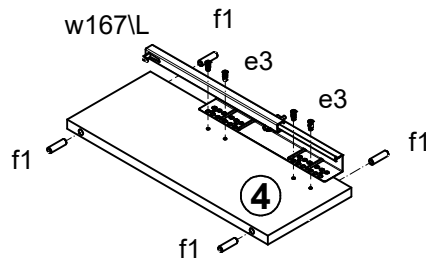
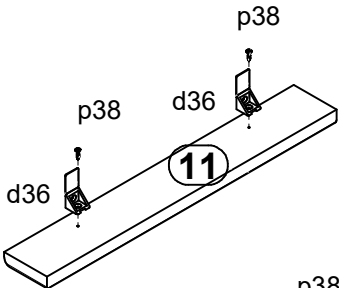
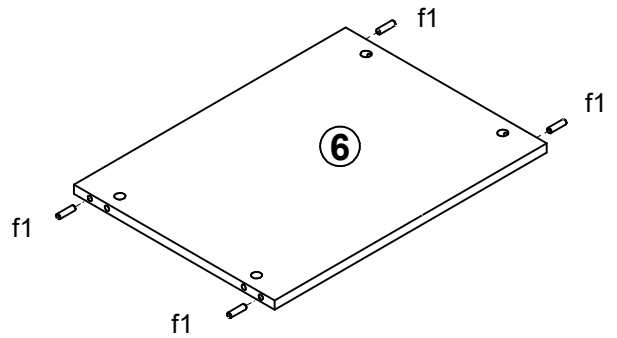
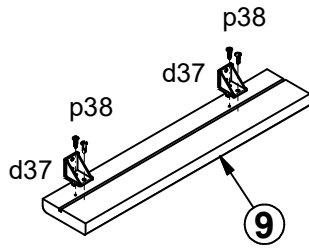
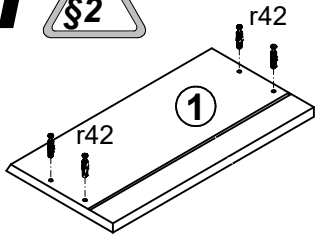


A	B	C	D	
1	S440-0004	376	200	1/1
2	S440-1006	484	396	1/1
3	S440-1007	484	396	1/1
4	S440-1008	156	376	1/1
5	S440-2002	540	396	1/1
6	S440-3001	509	376	1/1
7	S440-4008	509	80	1/1
8	S440-4009	509	80	1/1
9	S440-5004	420	80	1/1
10	S440-5005	420	80	1/1
11	S440-5006	542	80	1/1
12	S440-9003	519	176	1/1
13	S440-9004	354	351	1/1
14	S440-9007	251	519	1/1
15	ZQ6-5057	341	97	1/1
16	ZQ6-519	350	110	1/1
17	ZQ6-520	350	110	1/1

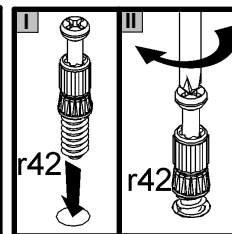
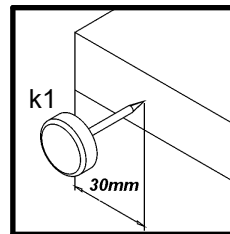
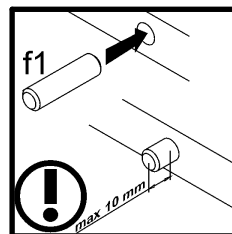
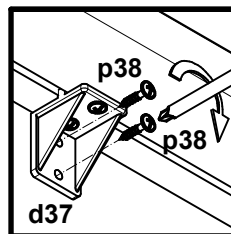
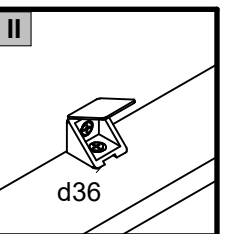
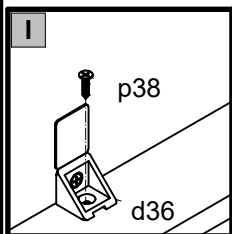
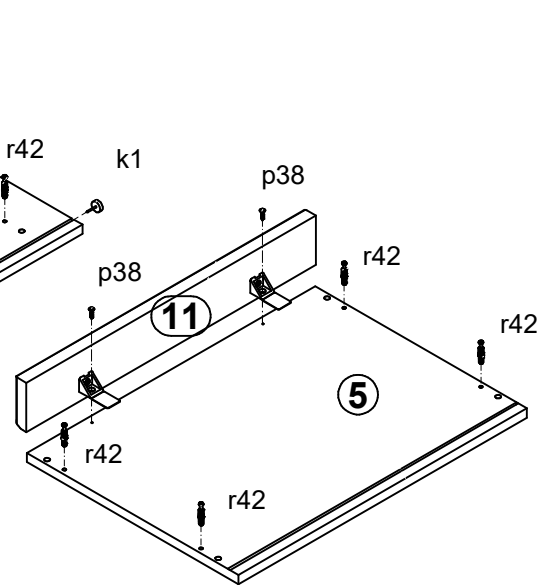
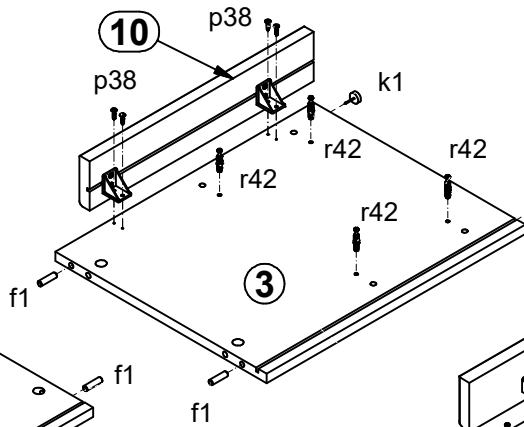
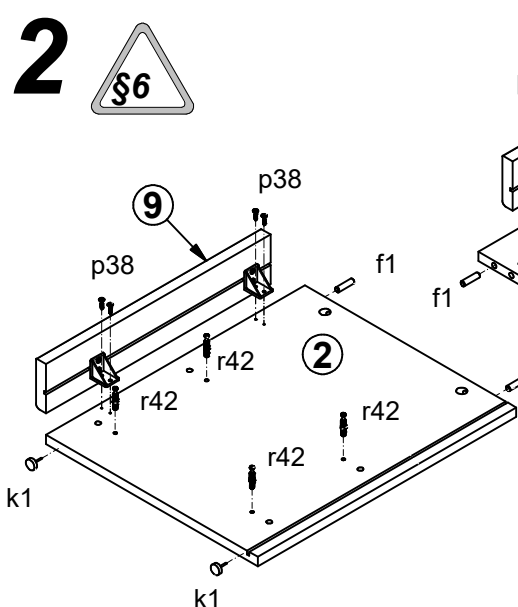


2x d36	4x d37	8x Ø6x13 mm e3	20x Ø8x30 mm f1	4x Ø6.5x40 mm f25	4x k1	5x 1.4x20 mm l1	1x l2	3x 22x9.5x20.7 mm n108
24x Ø3.5x16 mm p38	5x Ø2.9x16 mm p55	12x Ø15x12 mm #16 r1	4x Ø12x10.5 mm #12 r15	16x 20/11 r42	1x 350mm w167/L	1x 350mm w167/P	8x Ø16 s2	1x n26

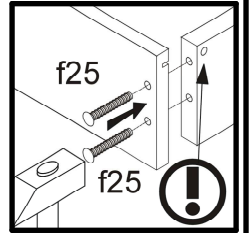
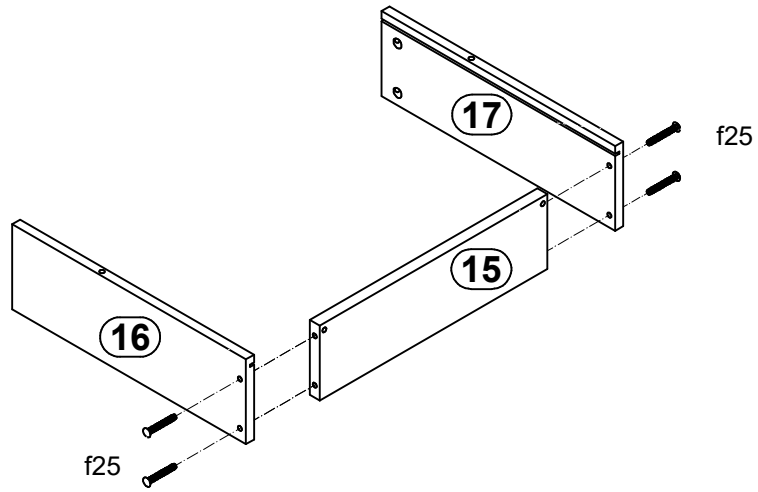
1



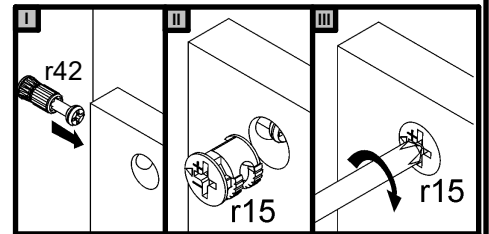
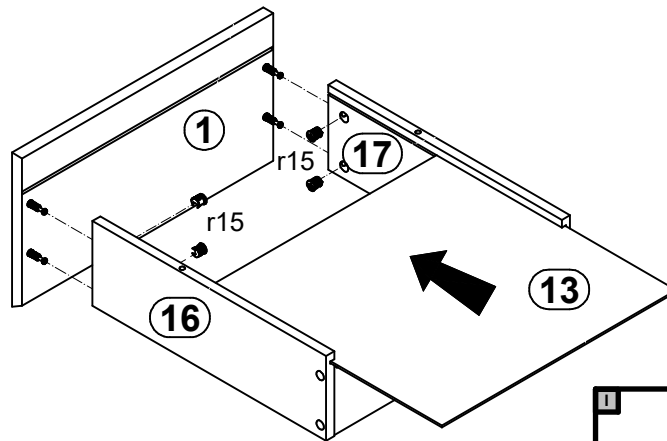
2



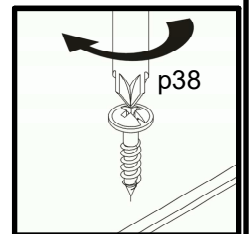
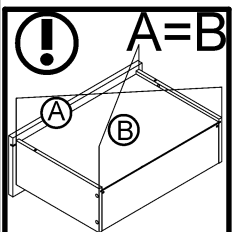
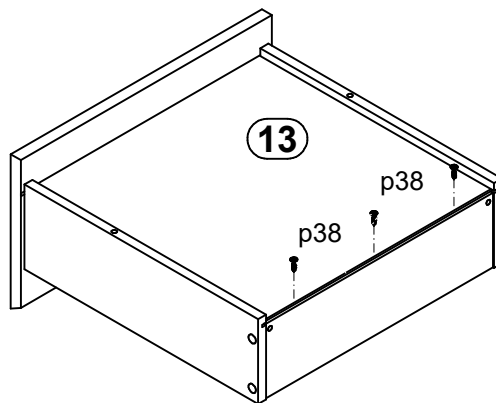
3



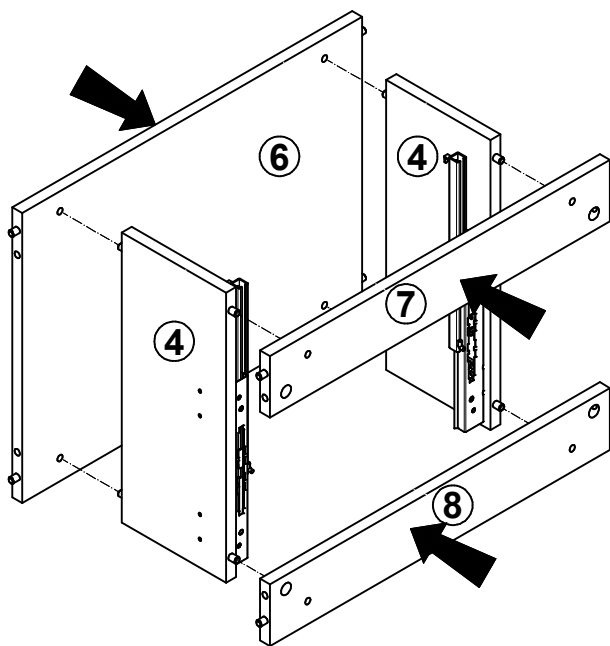
4



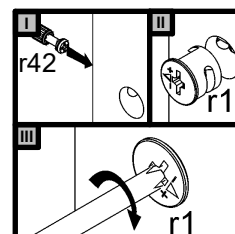
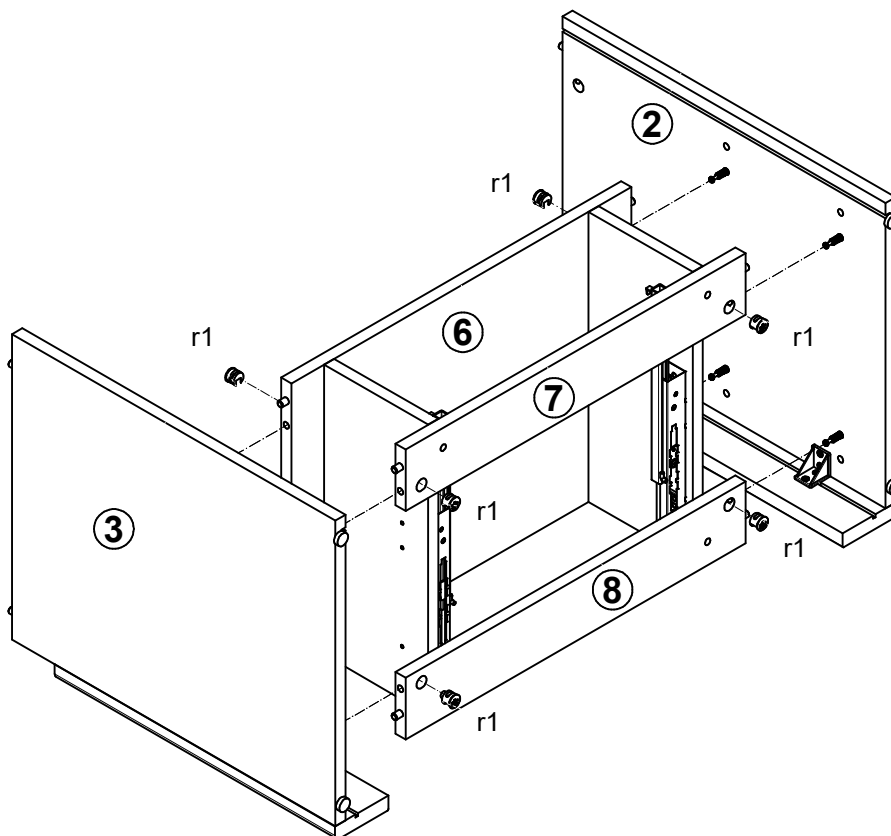
5



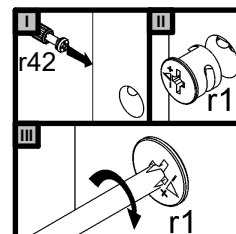
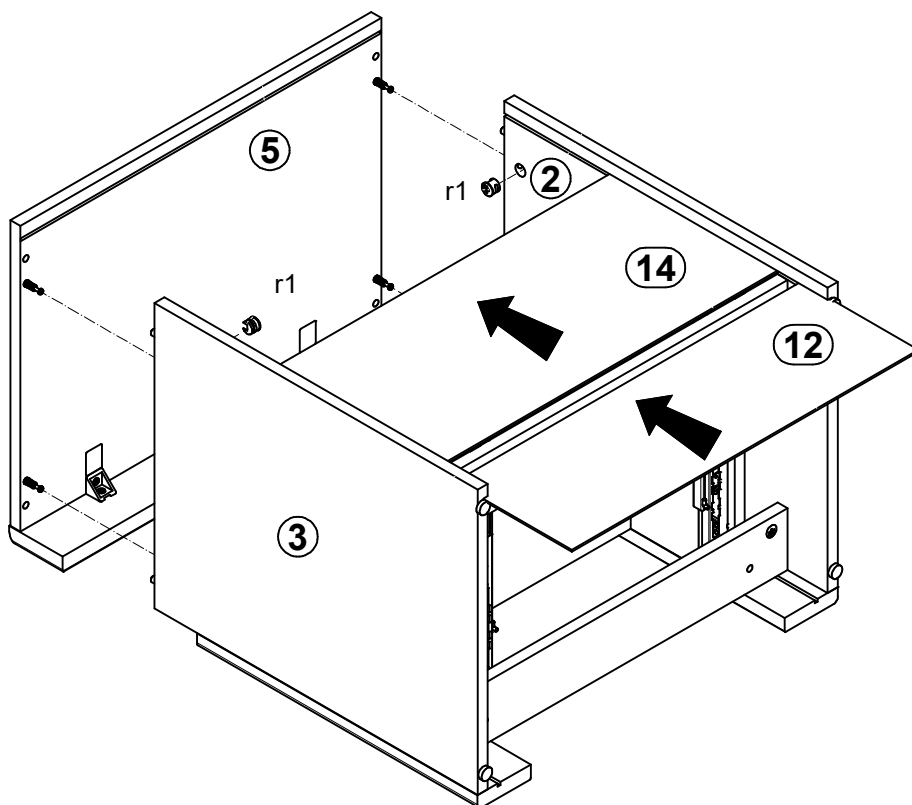
6



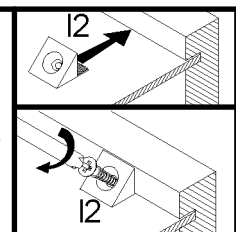
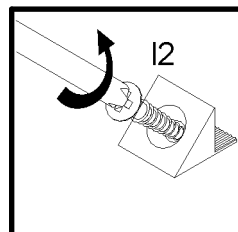
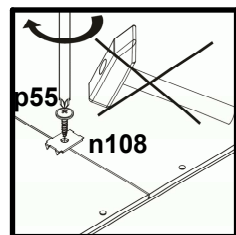
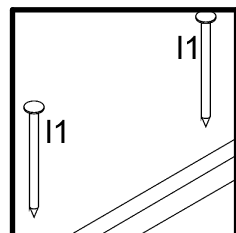
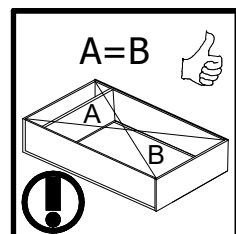
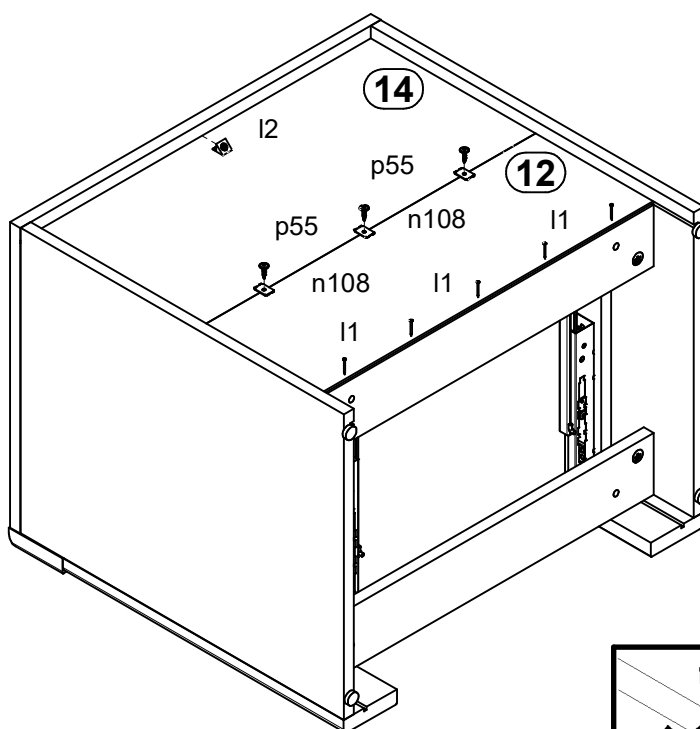
7



8



9



10

