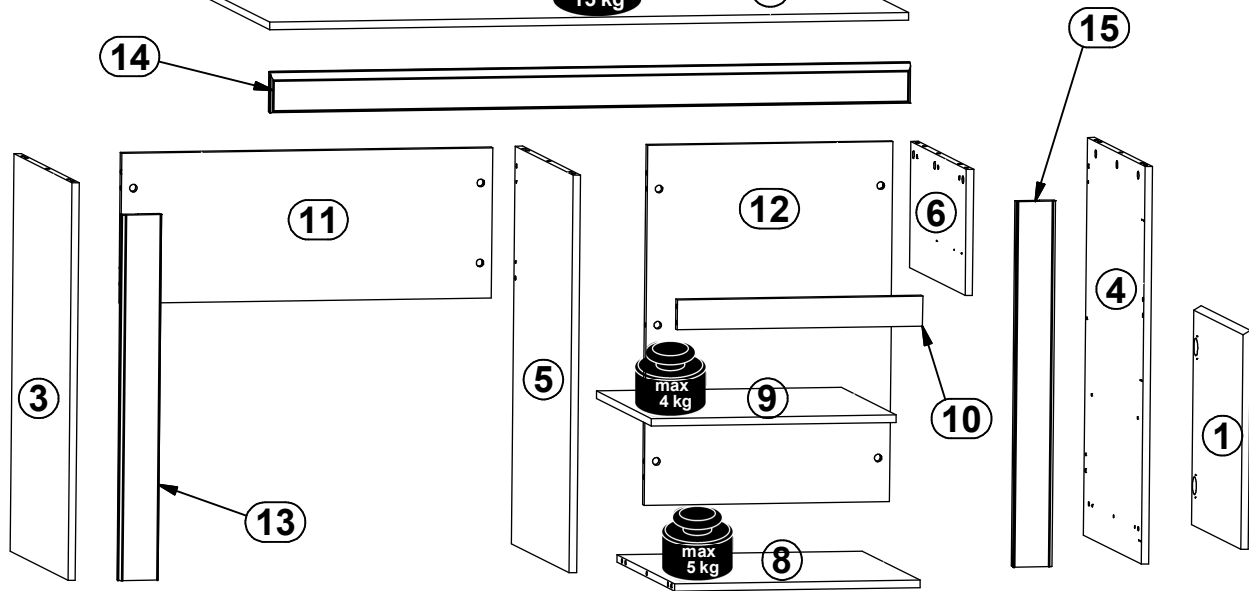
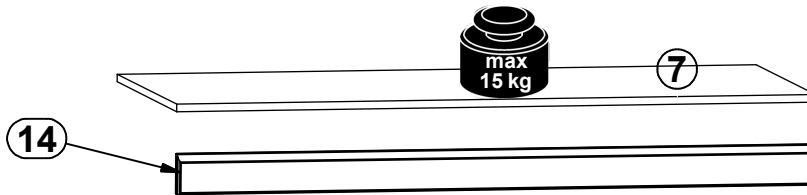
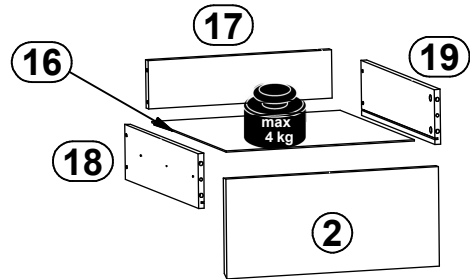
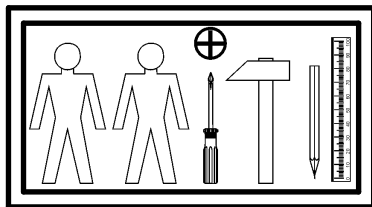
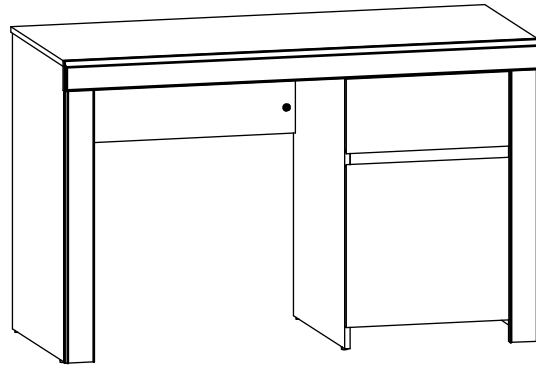
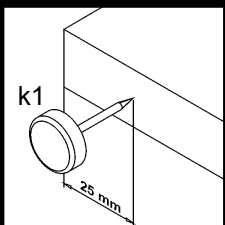
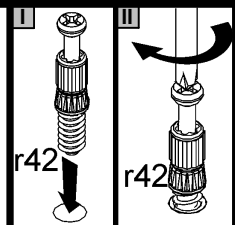
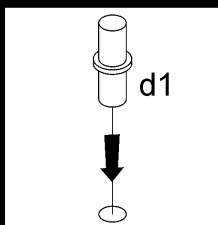
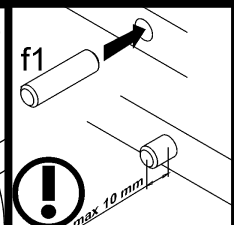
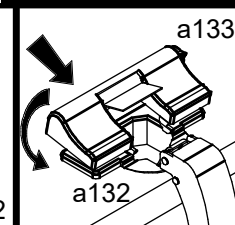
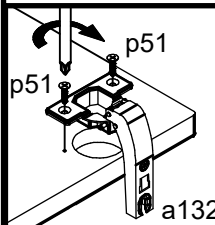
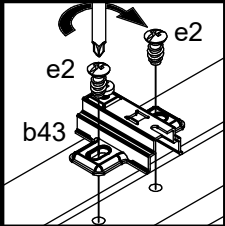
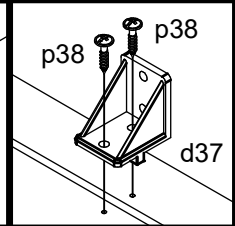
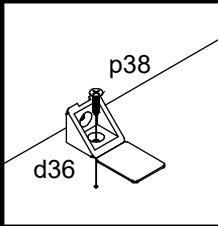
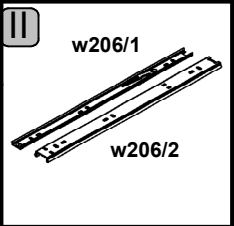
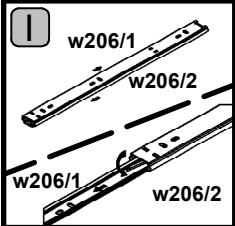
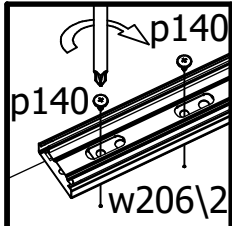
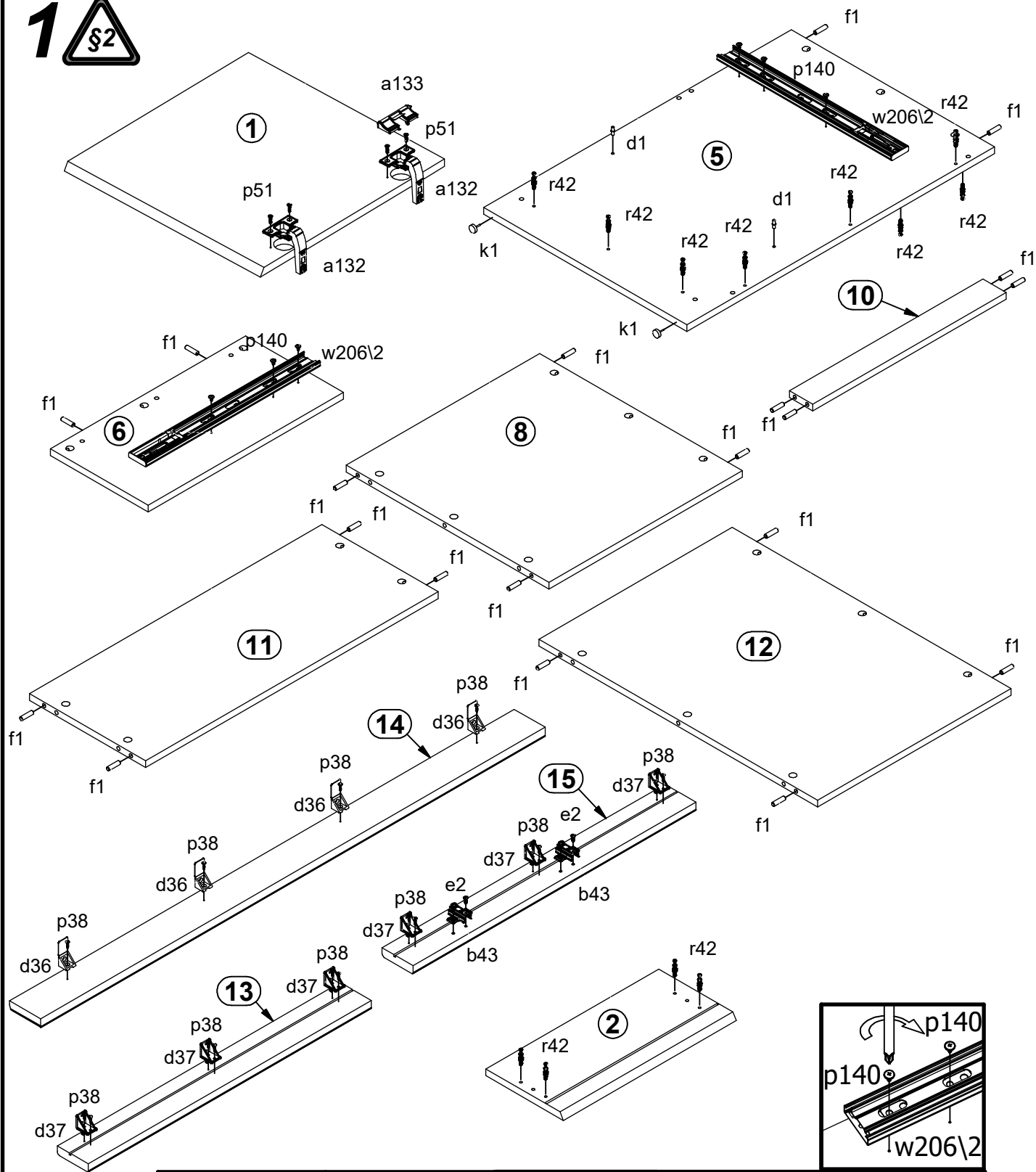


A	B	C	D	
1	S440-0028	437	446	2/2
2	S440-0029	446	200	2/2
3	S440-1061	794	524	1/2
4	S440-1062	794	524	1/2
5	S440-1063	794	524	1/2
6	S440-1064	252	504	1/2
7	S440-2017	1300	540	2/2
8	S440-3040	499	523	1/2
9	S440-3041	498	498	1/2
10	S440-4040	499	60	1/2
11	S440-5059	755	300	1/2
12	S440-5060	499	719	1/2
13	S440-5061	730	80	2/2
14	S440-5063	1302	80	2/2
15	S440-5064	730	80	2/2
16	S440-9020	395	457	1/2

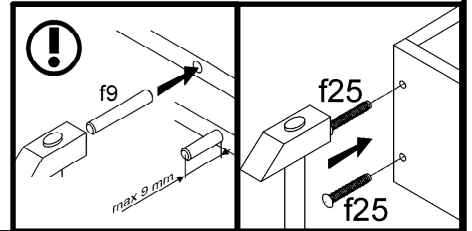
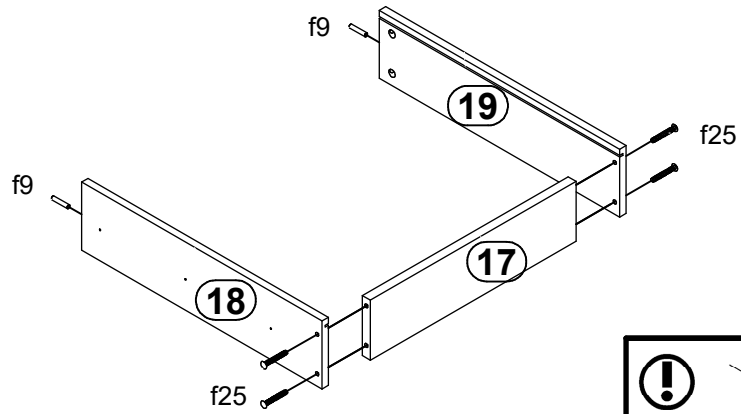


2x a132	1x a133	2x b43	4x Ø5x17 mm d1	4x d36	6x d37	4x Ø6.3x13 mm e2	24x Ø8x30 mm f1	4x Ø6.5x40 mm f25
2x Ø6x30 mm f9	6x k1	12x Ø3.5x12 mm p140	35x Ø3.5x16 mm p38	4x Ø3.5x15 mm p51	28x Ø15x12 mm #16 r1	4x Ø12x10.5 mm #12 r15	32x 20/11 r42	2x L-450 mm w206/2
2x L-450 mm w206/1	4x Ø16 s2							

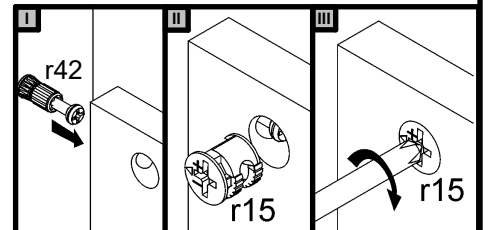
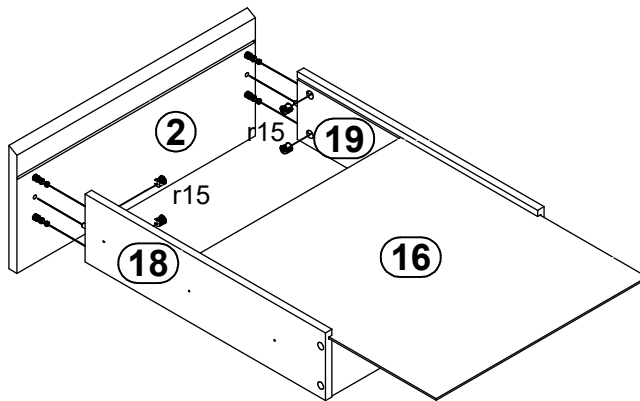
1 



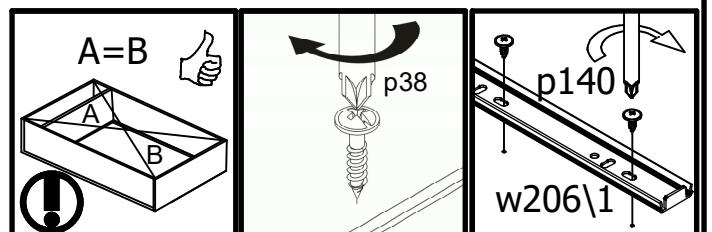
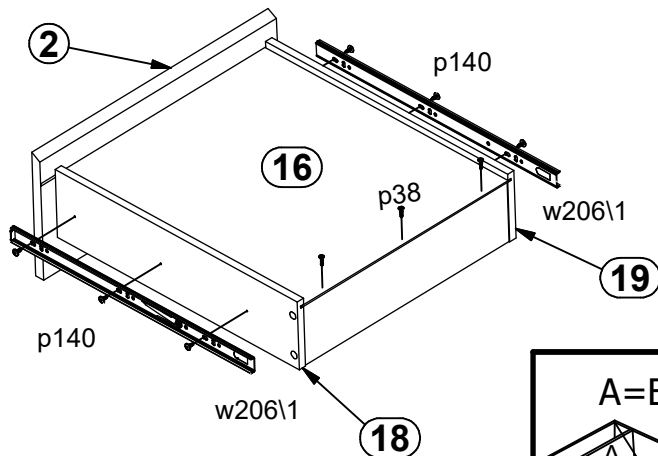
2



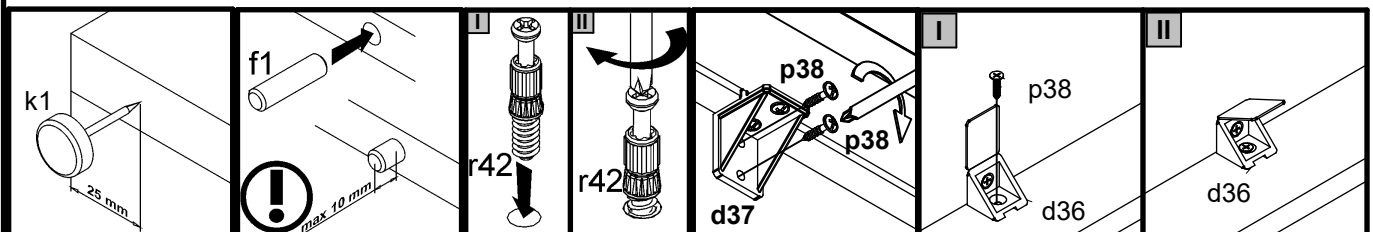
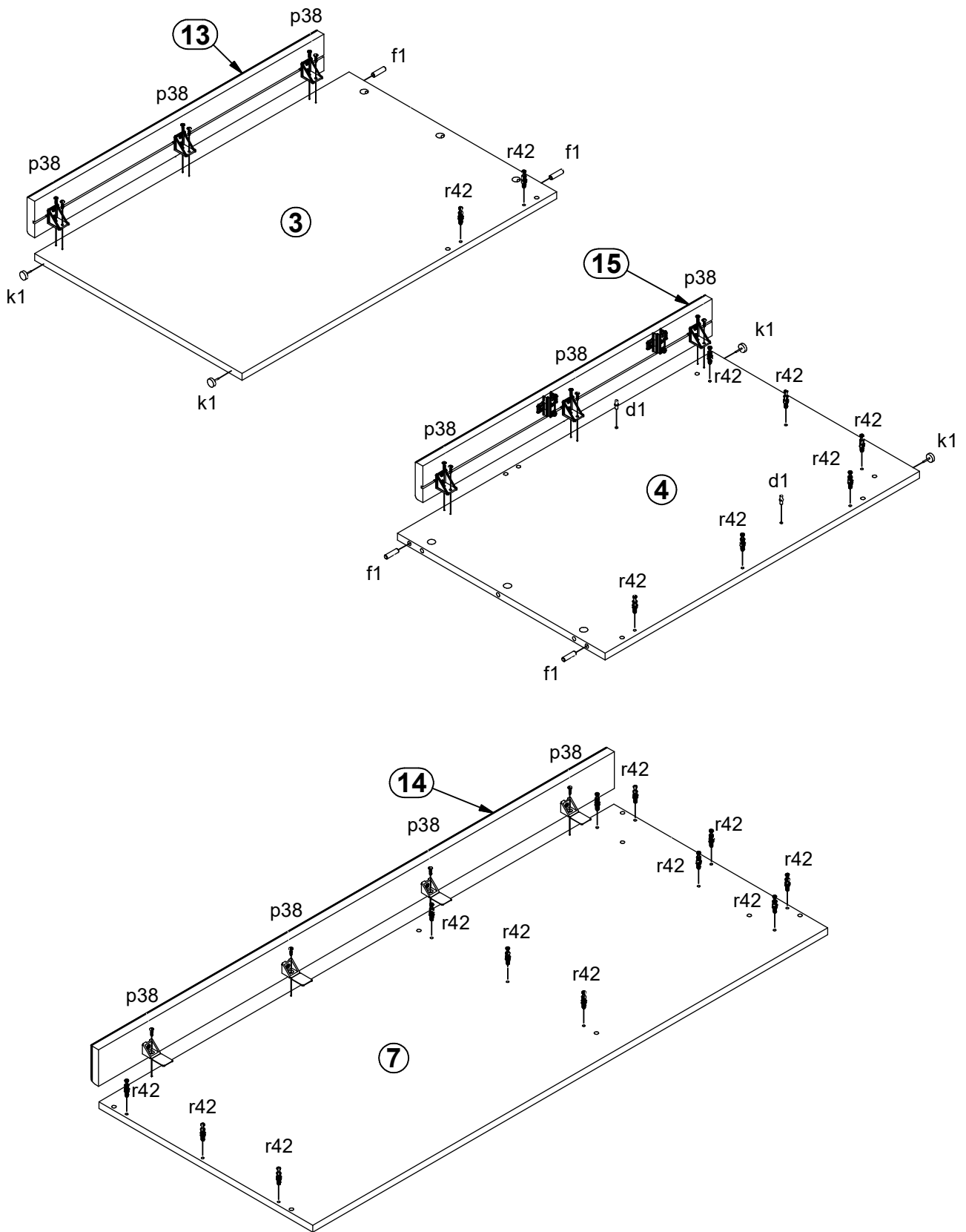
3



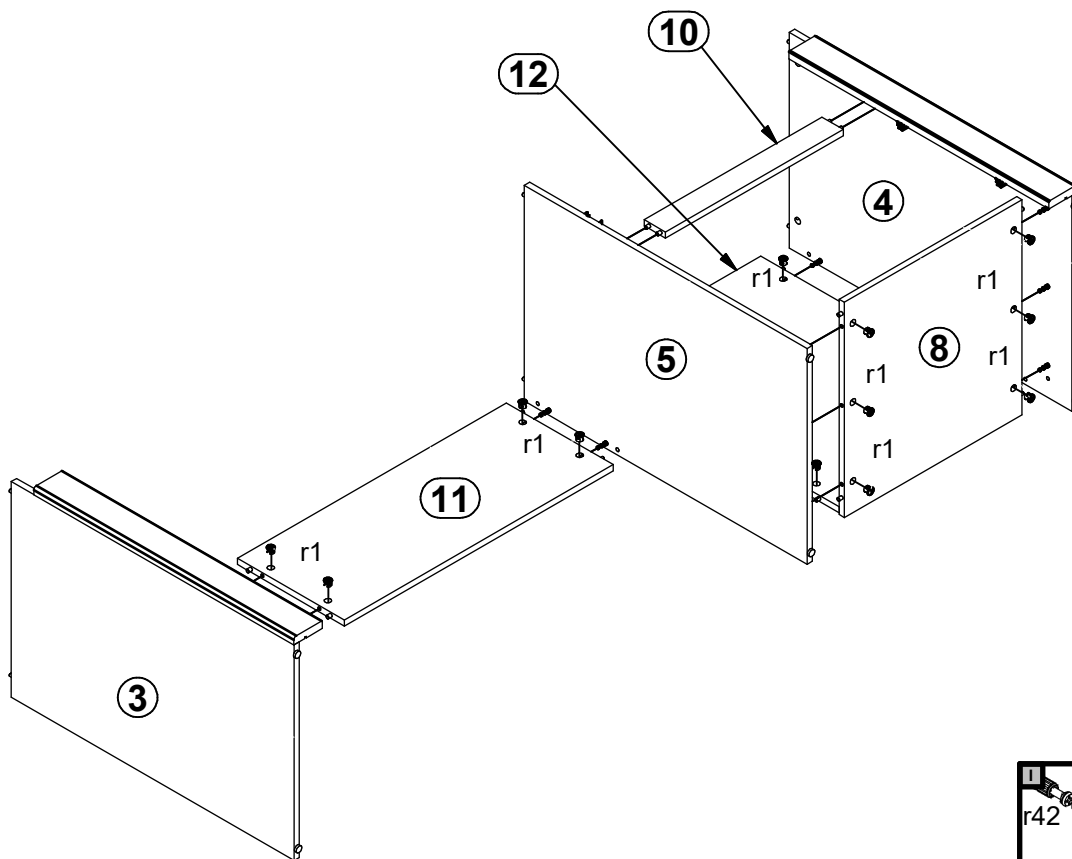
4



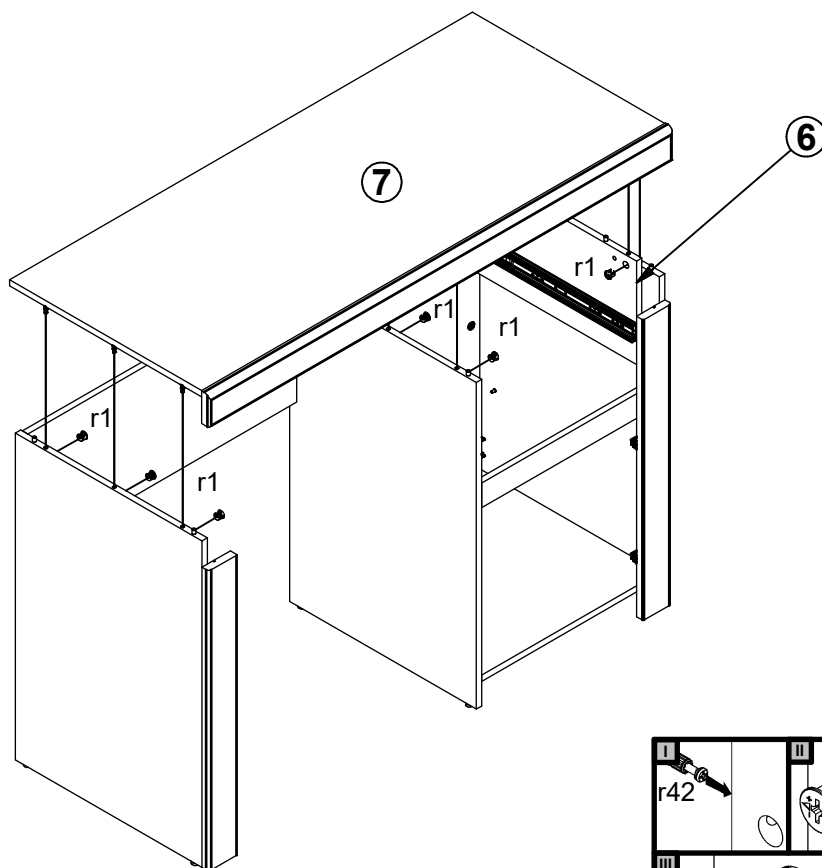
5



6



7



8

