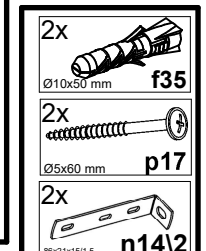
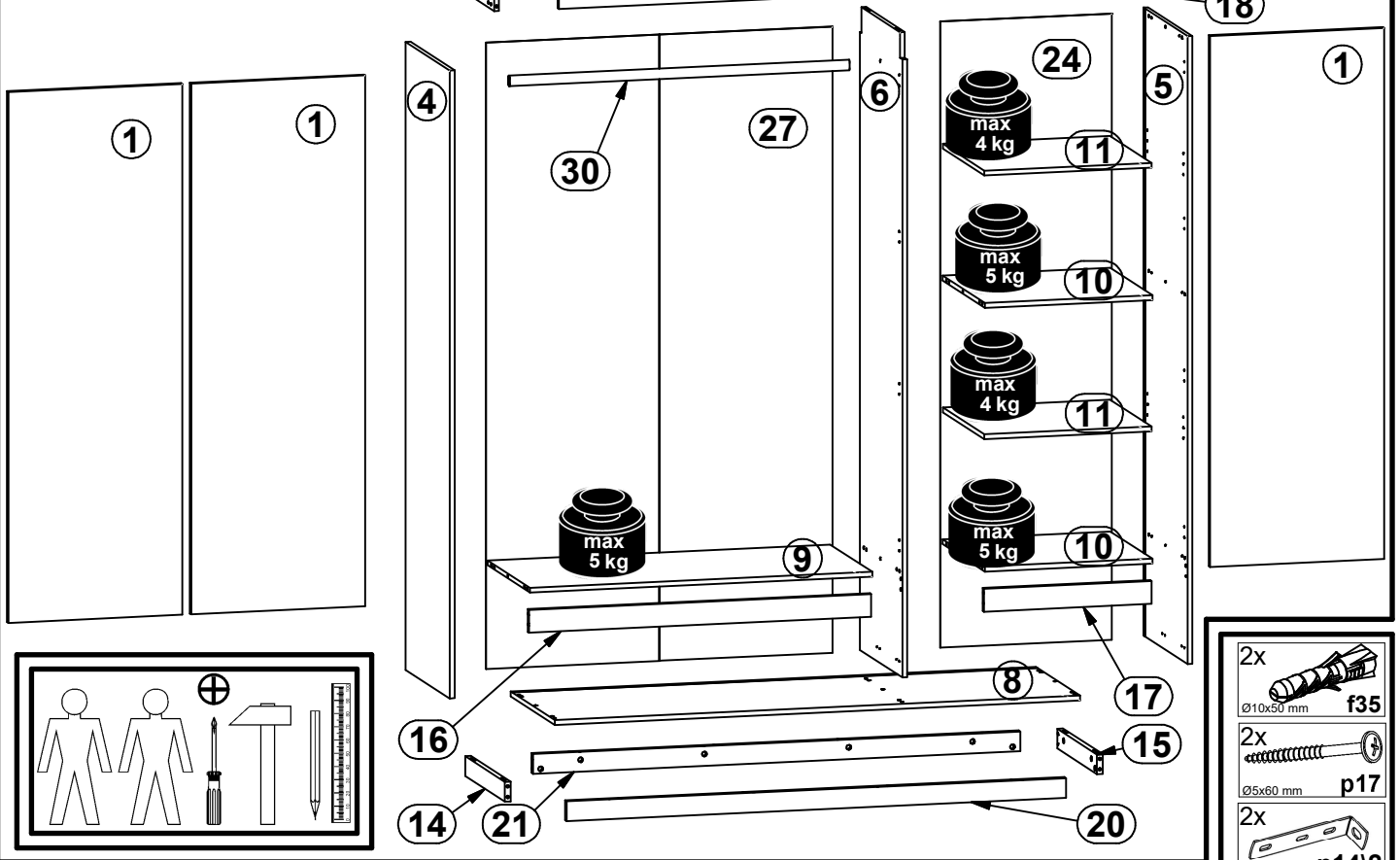
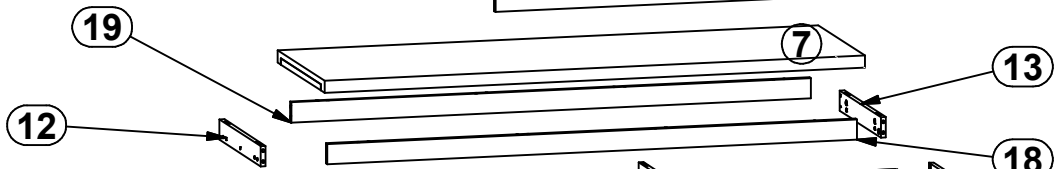
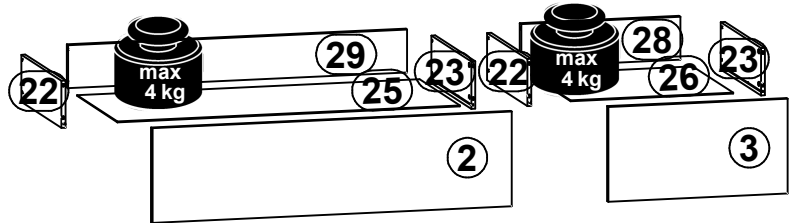
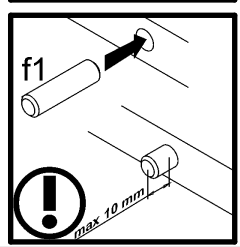
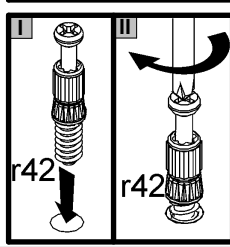
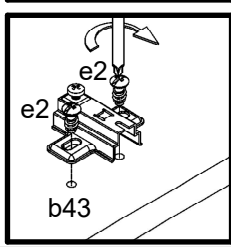
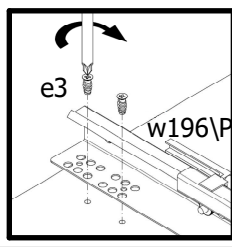
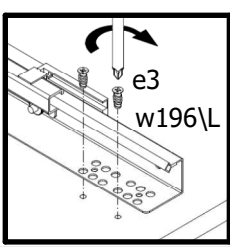
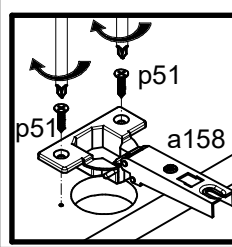
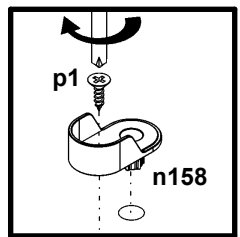
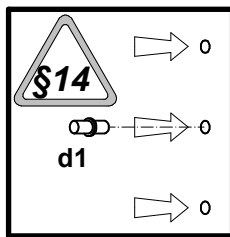
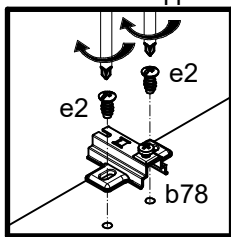
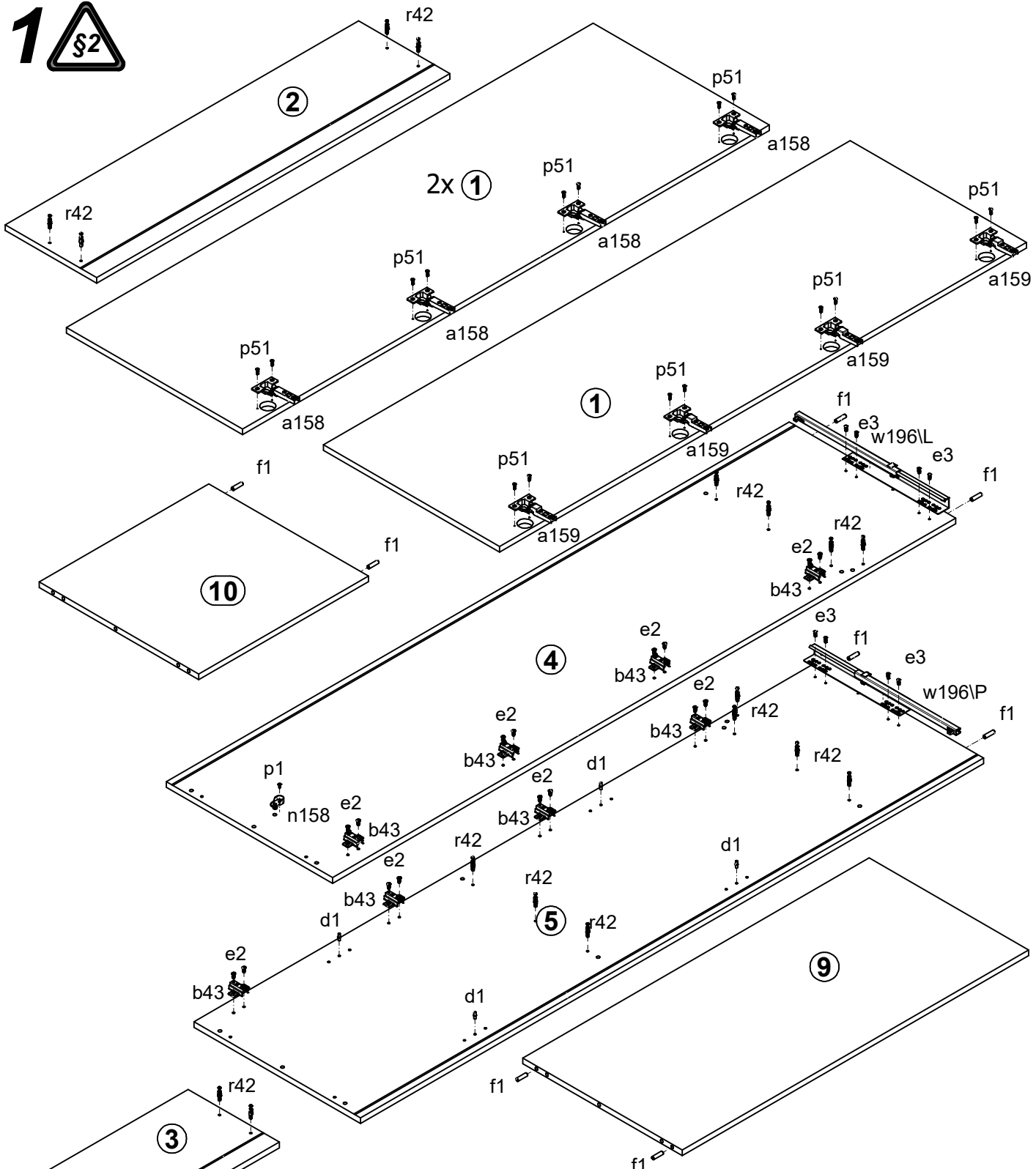


A	B	C	D	A	B	C	D	A	B	C	D			
1	S426-0101	1615	540	4/4	11	S426-3103	519	480	3/4	21	S426-4106	1512	60	2/4
2	S426-0102	1083	280	4/4	12	S426-4022	463	60	3/4	22	S426-5053	450	140	3/4
3	S426-0103	540	280	4/4	13	S426-4023	463	60	3/4	23	S426-5054	450	140	3/4
4	S426-1101	1910	510	1/4	14	S426-4024	460	60	2/4	24	S426-9101	1905	532	1/4
5	S426-1102	1910	510	1/4	15	S426-4025	460	60	2/4	25	S426-9102	1032	457	1/4
6	S426-1103	1958	490	3/4	16	S426-4101	1062	70	3/4	26	S426-9103	490	457	1/4
7	S426-2101	1629	526	2/4	17	S426-4102	520	70	3/4	27	S426-9310	1905	1075	1/4
8	S426-2102	1629	510	2/4	18	S426-4103	1597	60	2/4	28	ZQ6-5118	480	127	3/4
9	S426-3101	1062	489	2/4	19	S426-4104	1566	60	2/4	29	ZQ6-5166	1022	127	3/4
10	S426-3102	520	489	3/4	20	S426-4105	1549	60	2/4	30	dr-1055	1055	30	3/4

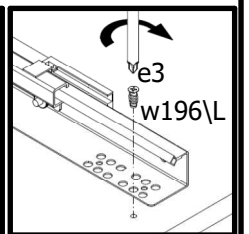
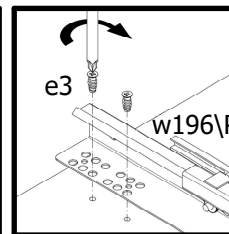
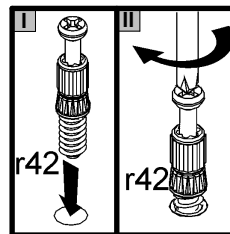
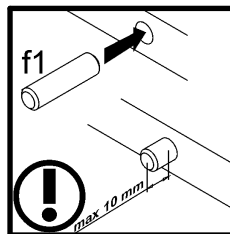
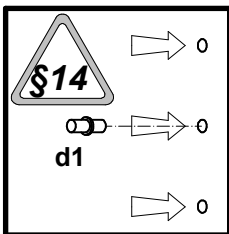
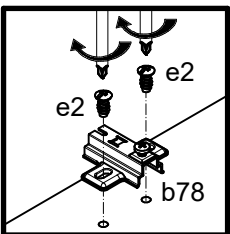
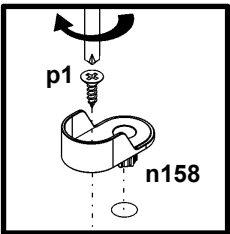
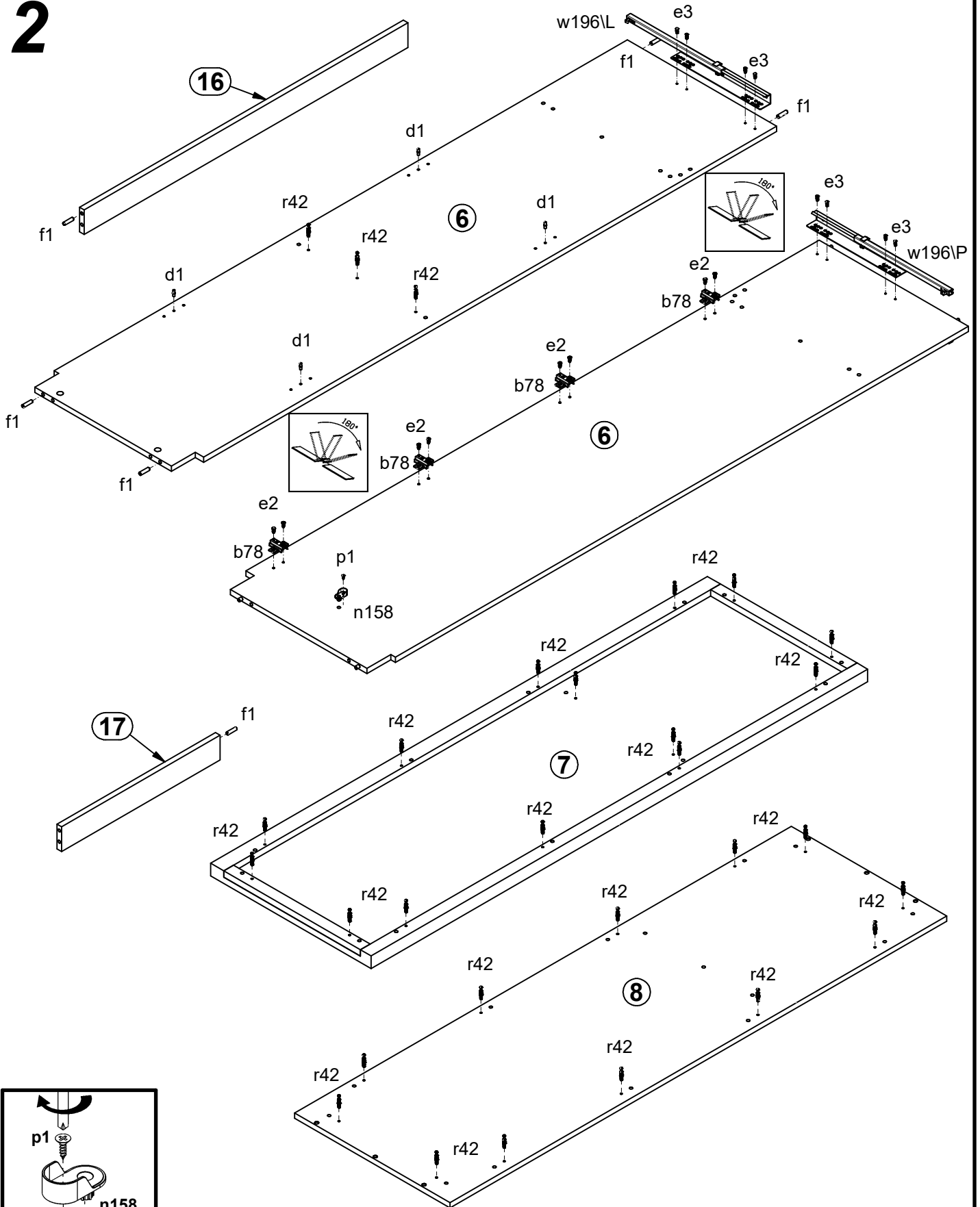


3x a133	8x a158	4x a159	8x b43	4x b78	12x d1	9x e1	24x e2	16x e3
4x e45	50x f1	6x f13	8x f25	3x f6	6x k1	13x l2	10x n108	2x n158
2x p1	2x p25	2x p35	16x p38	24x p51	22x p55	9x p93	56x r1	4x r10
8x r15	56x r42	2x t38	2x w196/L	2x w196/P	4x s1	8x s2	3x s62	1x z1

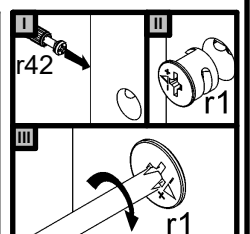
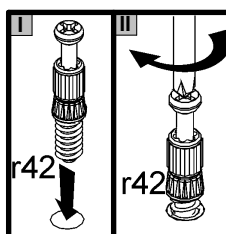
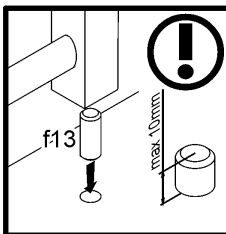
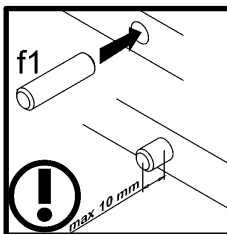
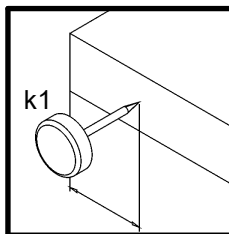
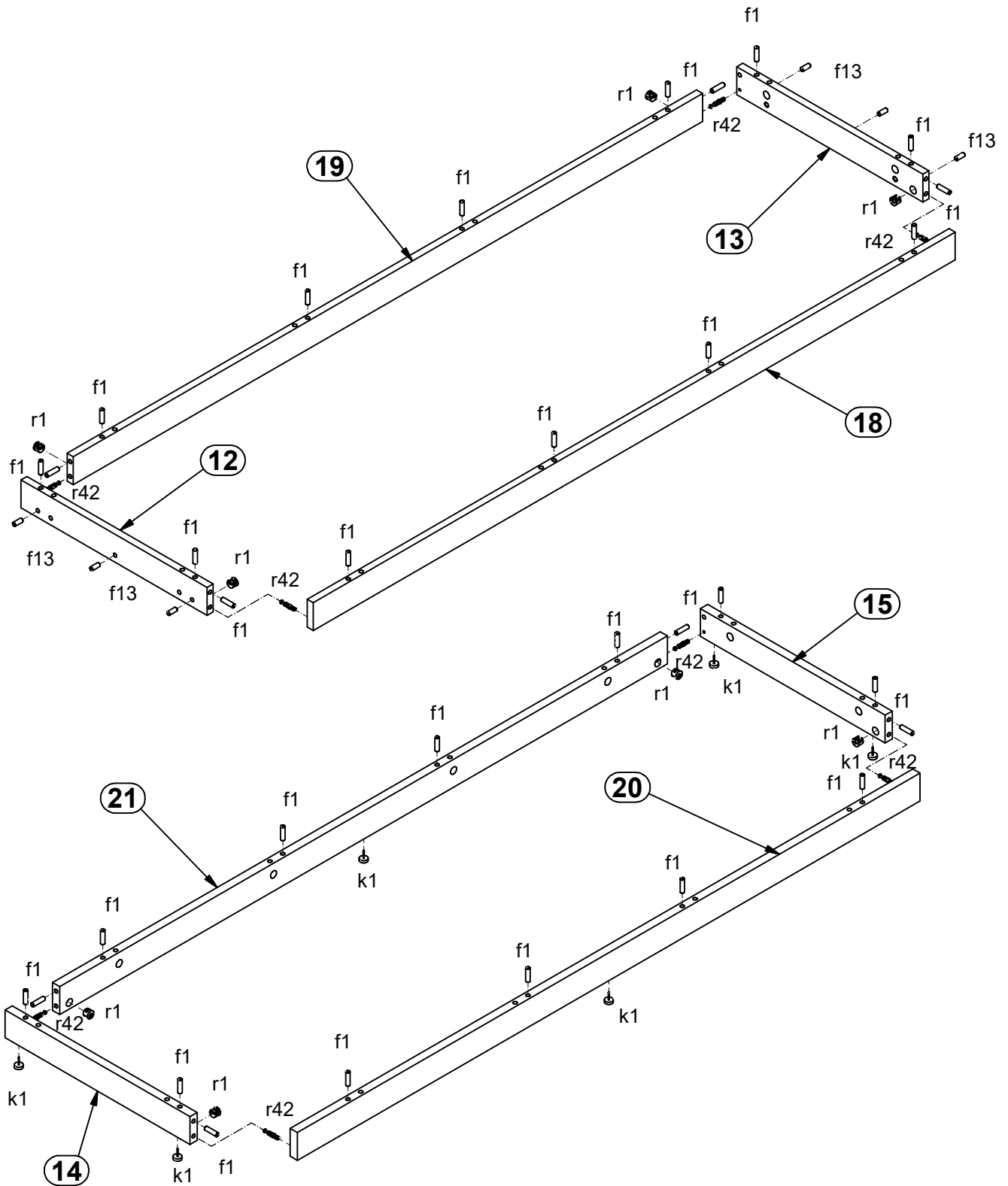
1 



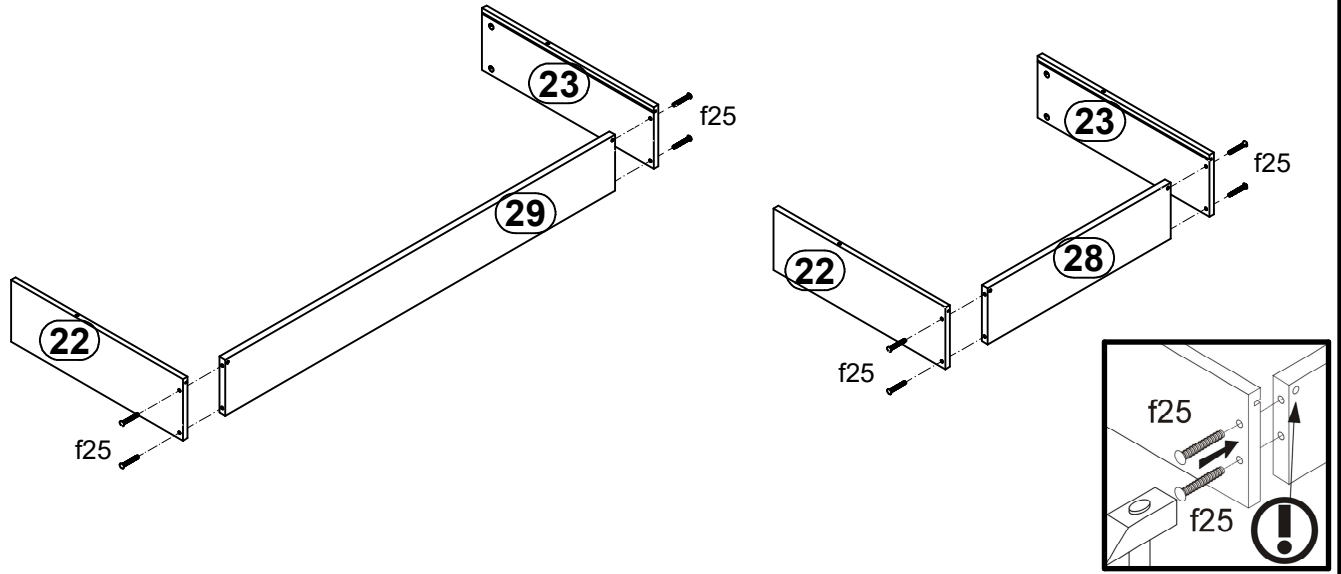
2



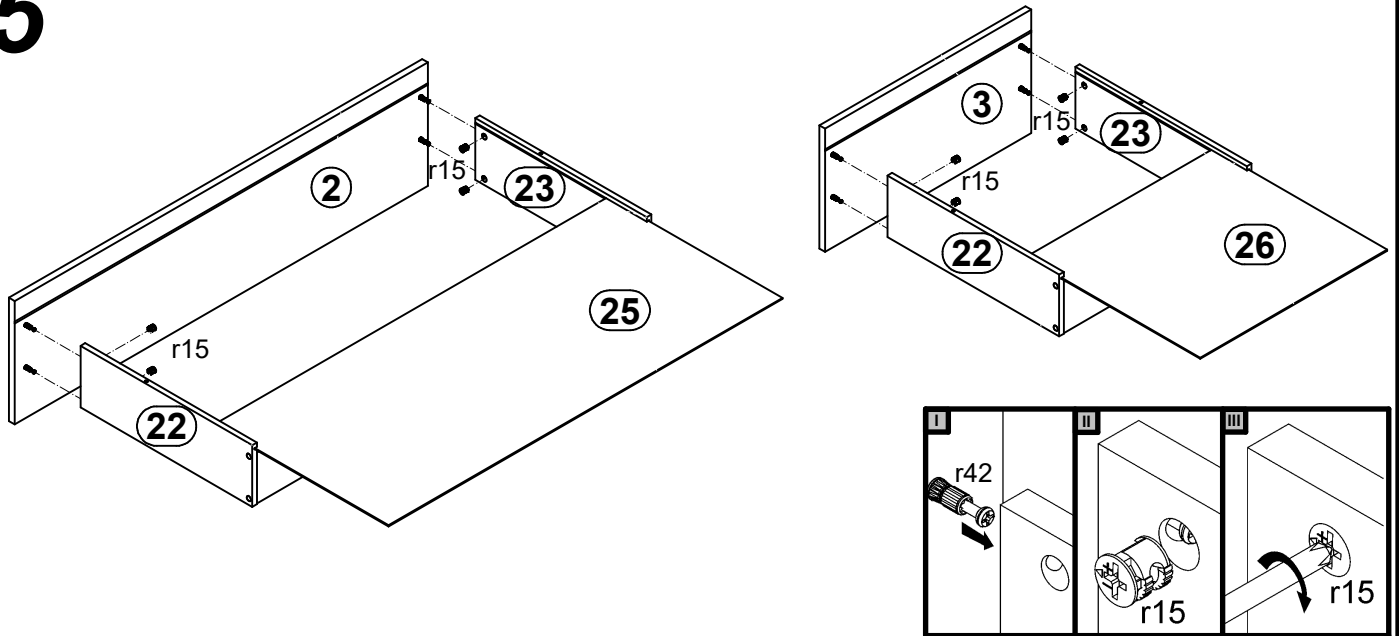
3



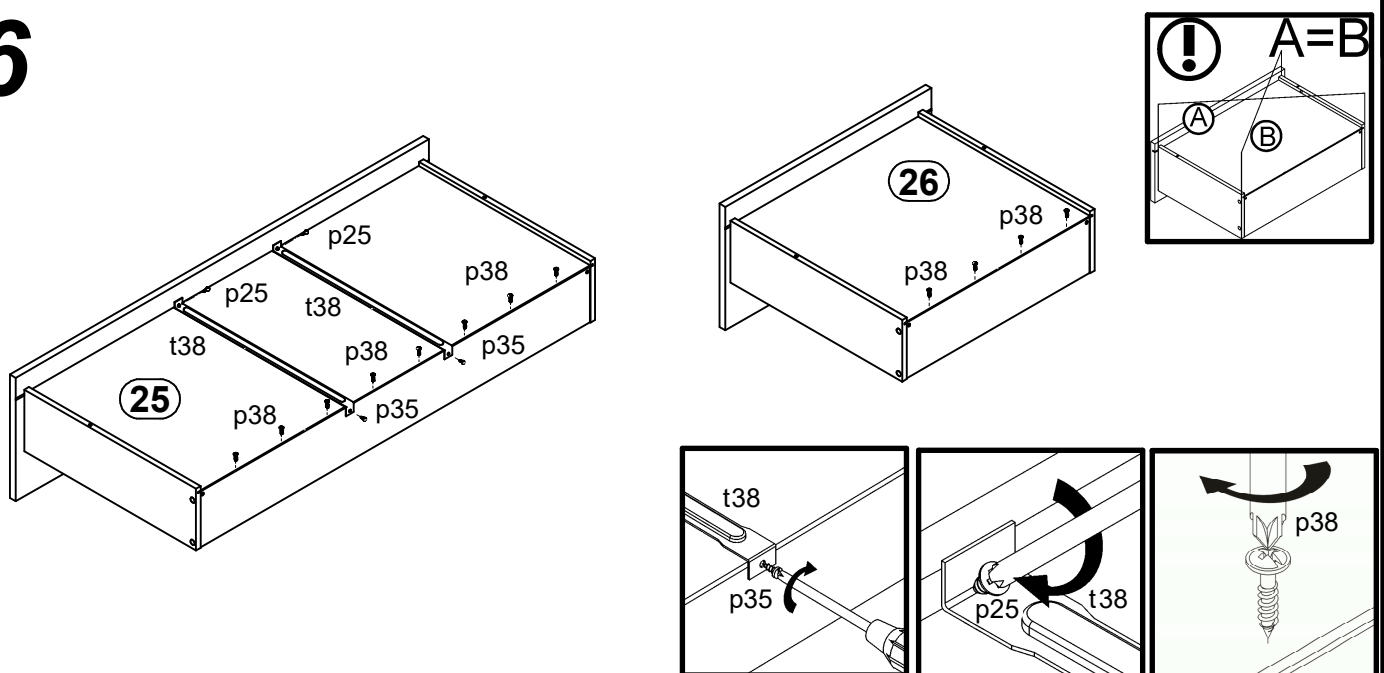
4

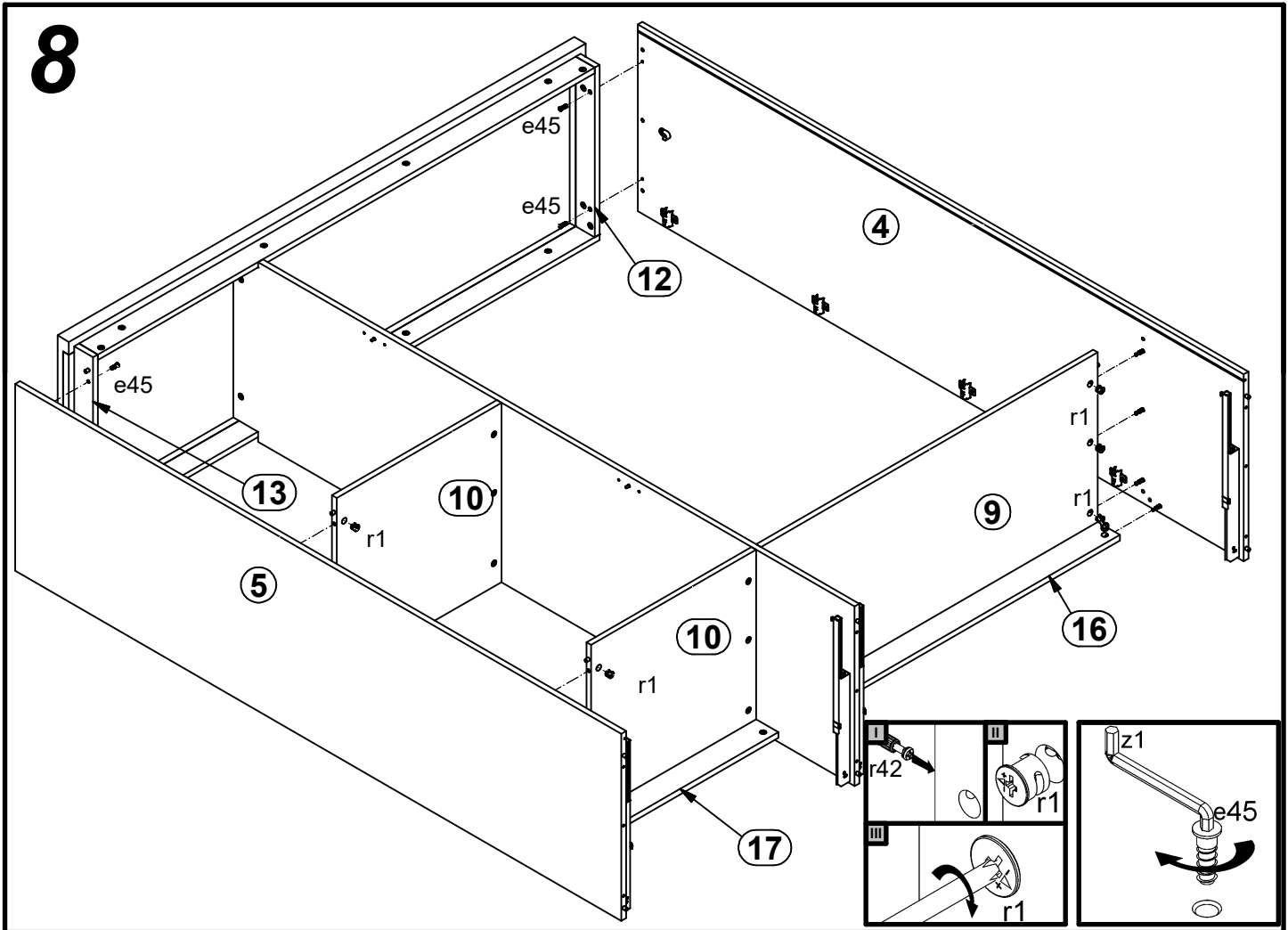
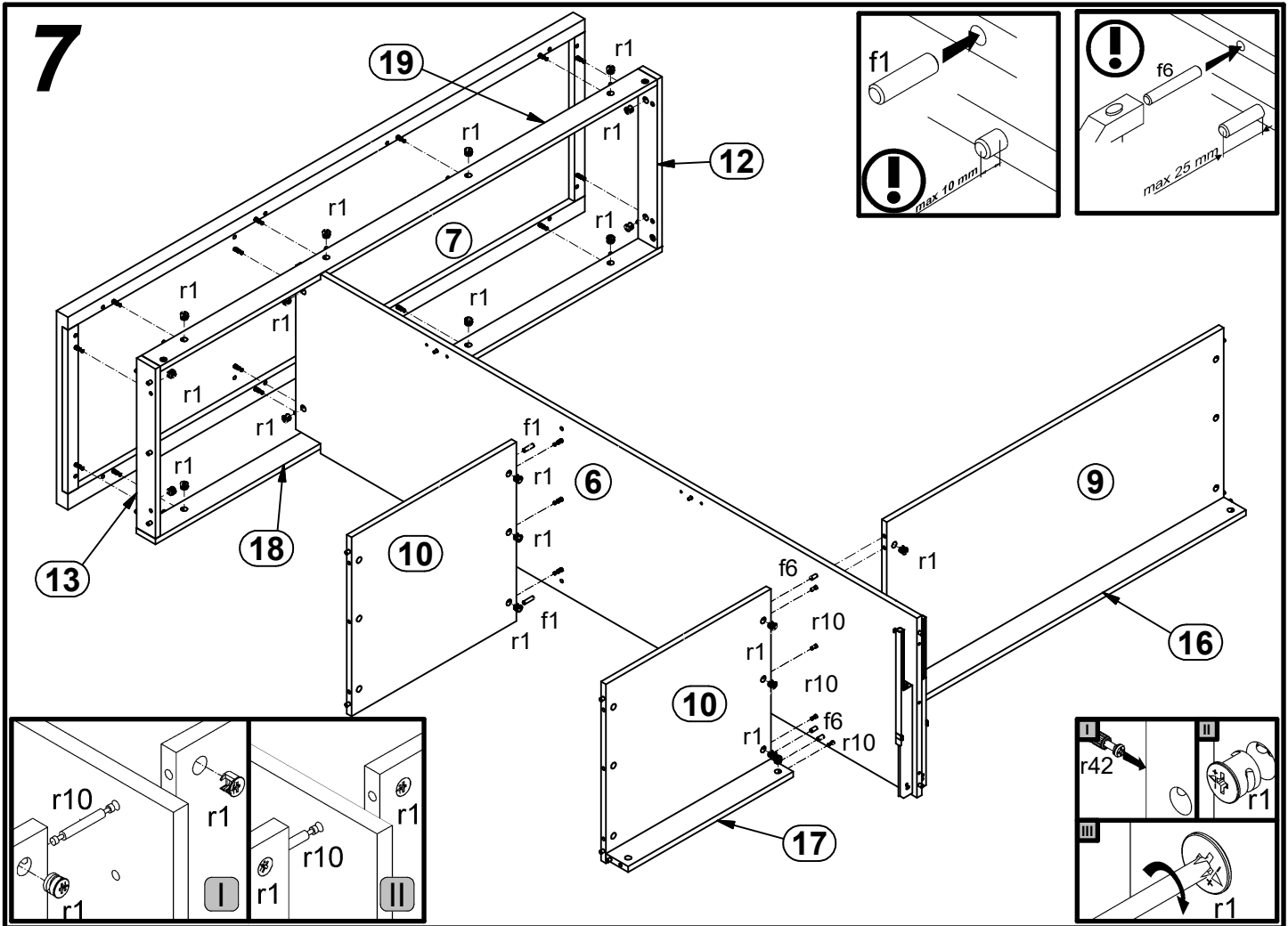


5

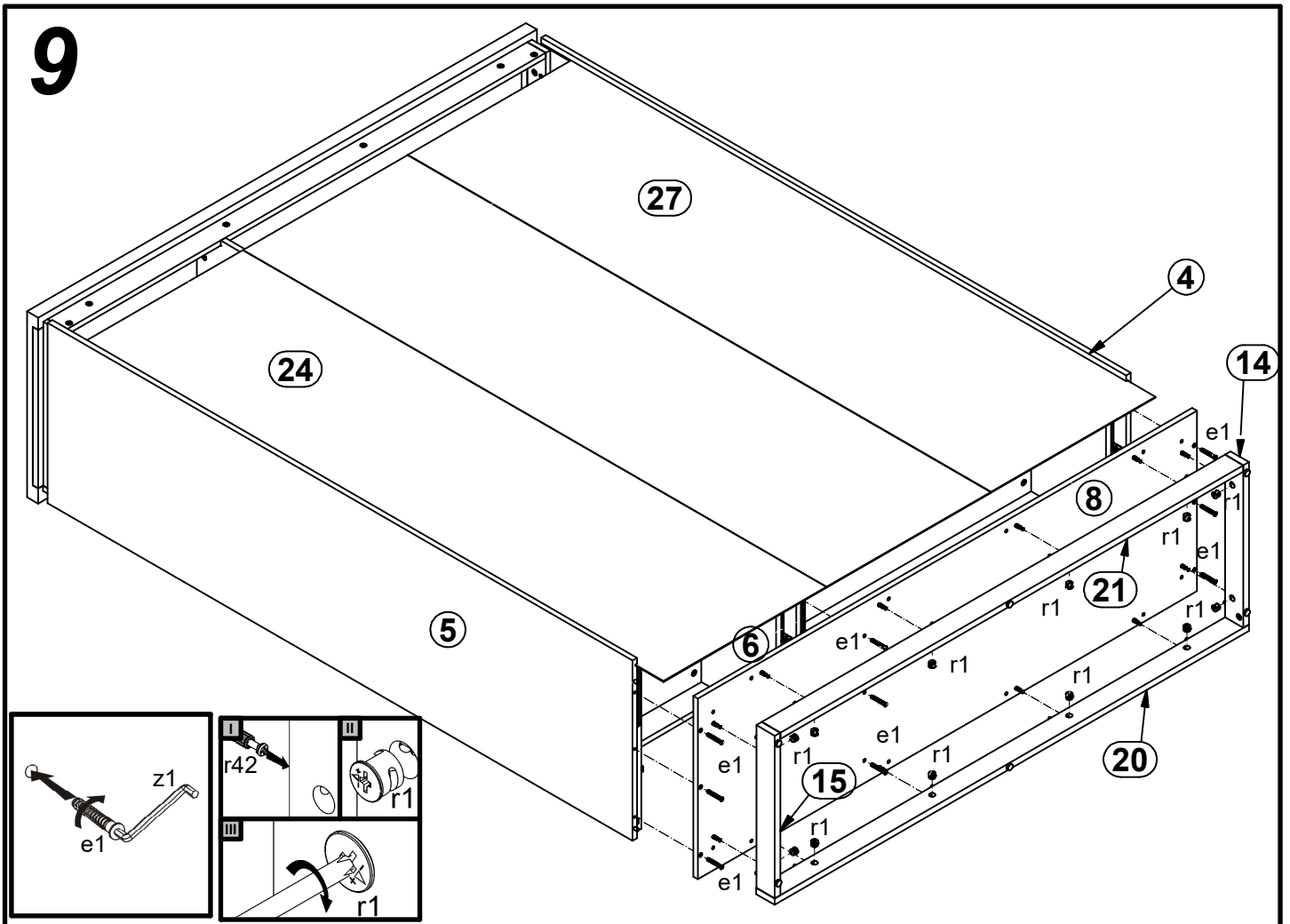


6

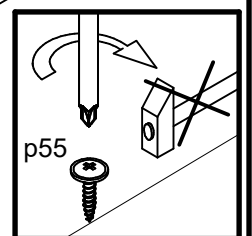
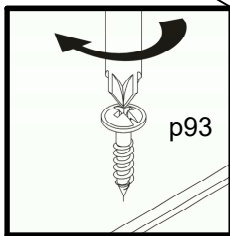
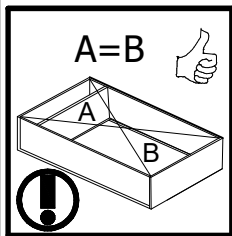
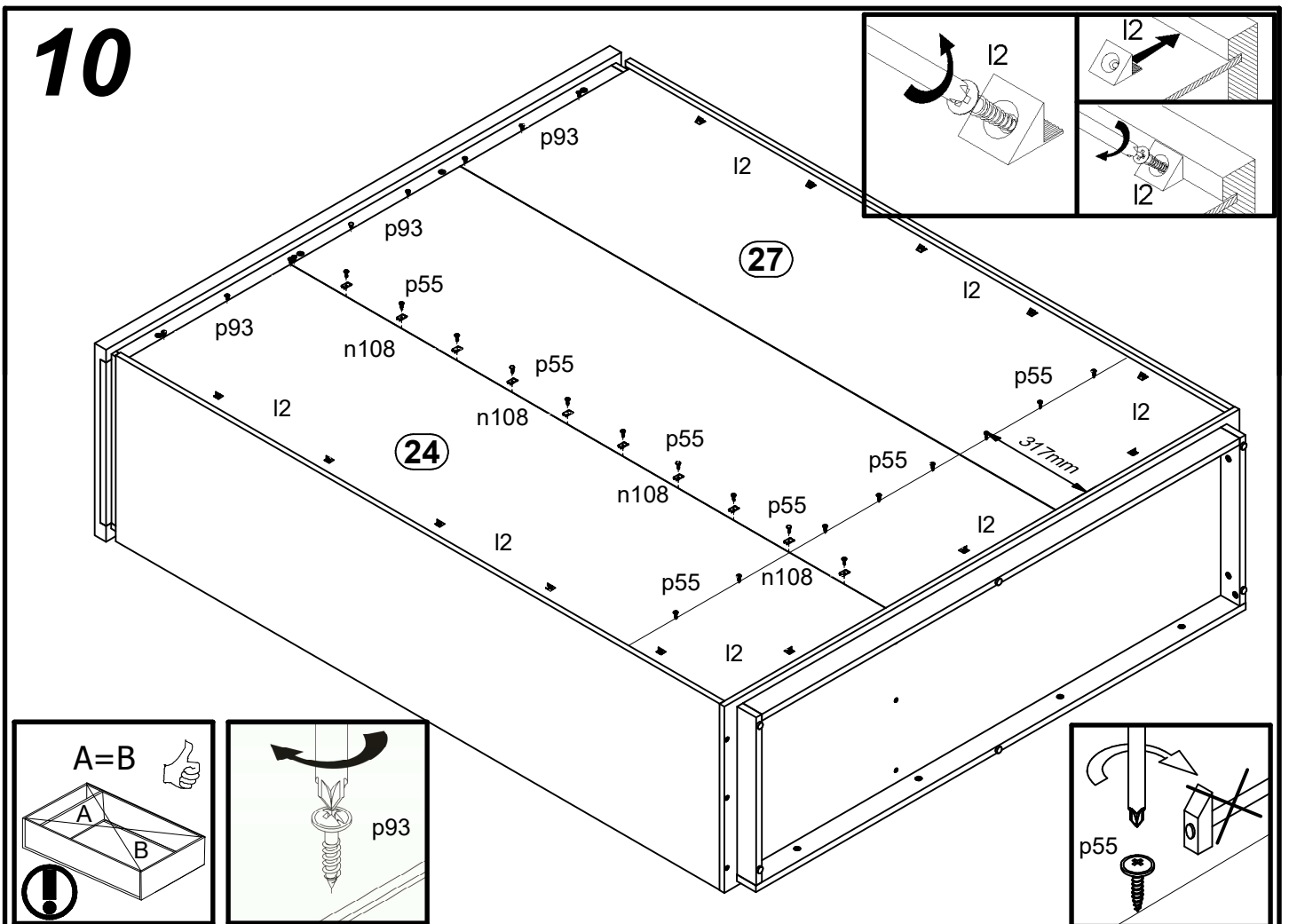




9



10



11

