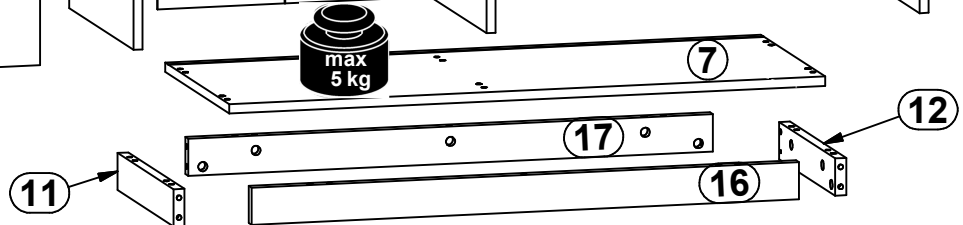
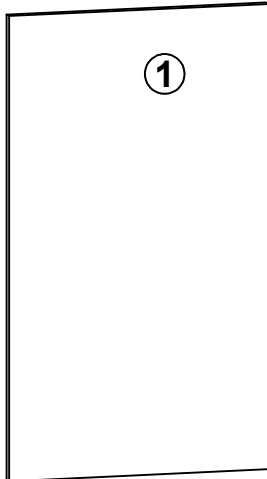
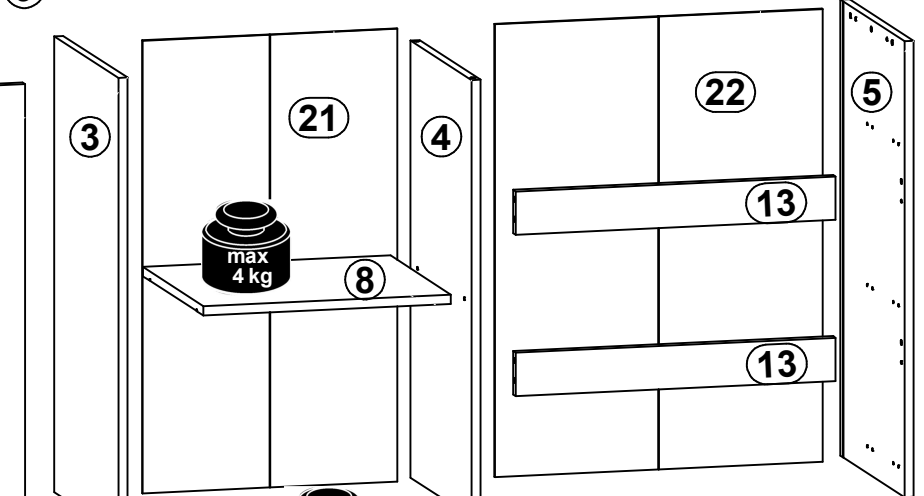
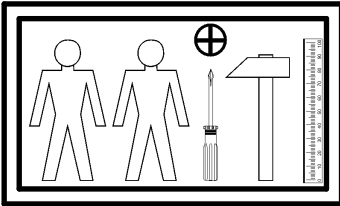
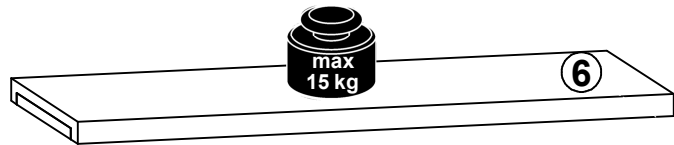
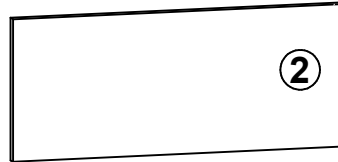
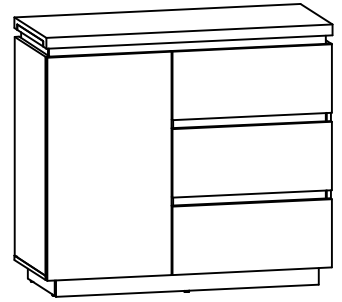
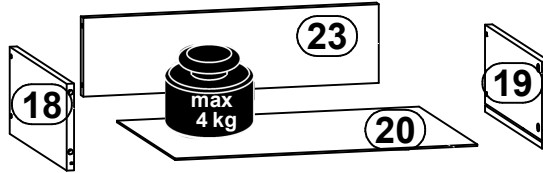


A	B	C	D
1	S426-0005	750	426, 2/2
2	S426-0006	546,	230 2/2
3	S426-1001	735	394 1/2
4	S426-1003	705	374 1/2
5	S426-1010	735	394 1/2
6	S426-2005	980,	410 1/2
7	S426-2006	980,	394 1/2
8	S426-3004	407,	370, 1/2
9	S426-4003	347	60 1/2
10	S426-4004	347	60 1/2
11	S426-4007	344	60 1/2
12	S426-4008	344	60 1/2
13	S426-4010	526,	70 1/2
14	S426-4011	948,	60 1/2
15	S426-4012	917,	60 1/2
16	S426-4013	900,	60 1/2
17	S426-4014	863,	60 1/2
18	S426-5051	350	140 1/2
19	S426-5052	350	140 1/2
20	S426-9004	497,	357 1/2
21	S426-9303	730	419, 1/2
22	S426-9304	730	539, 1/2
23	ZQ6-5002	486	127 1/2

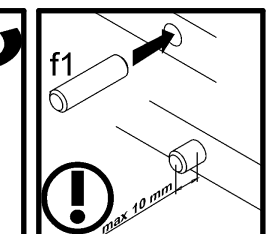
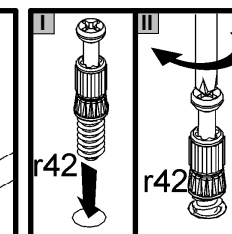
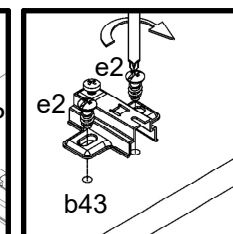
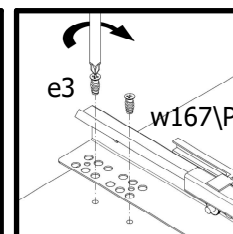
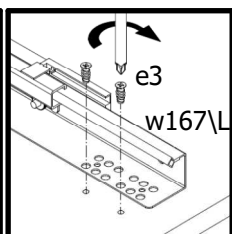
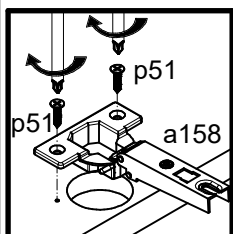
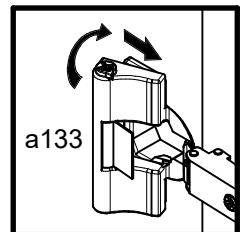
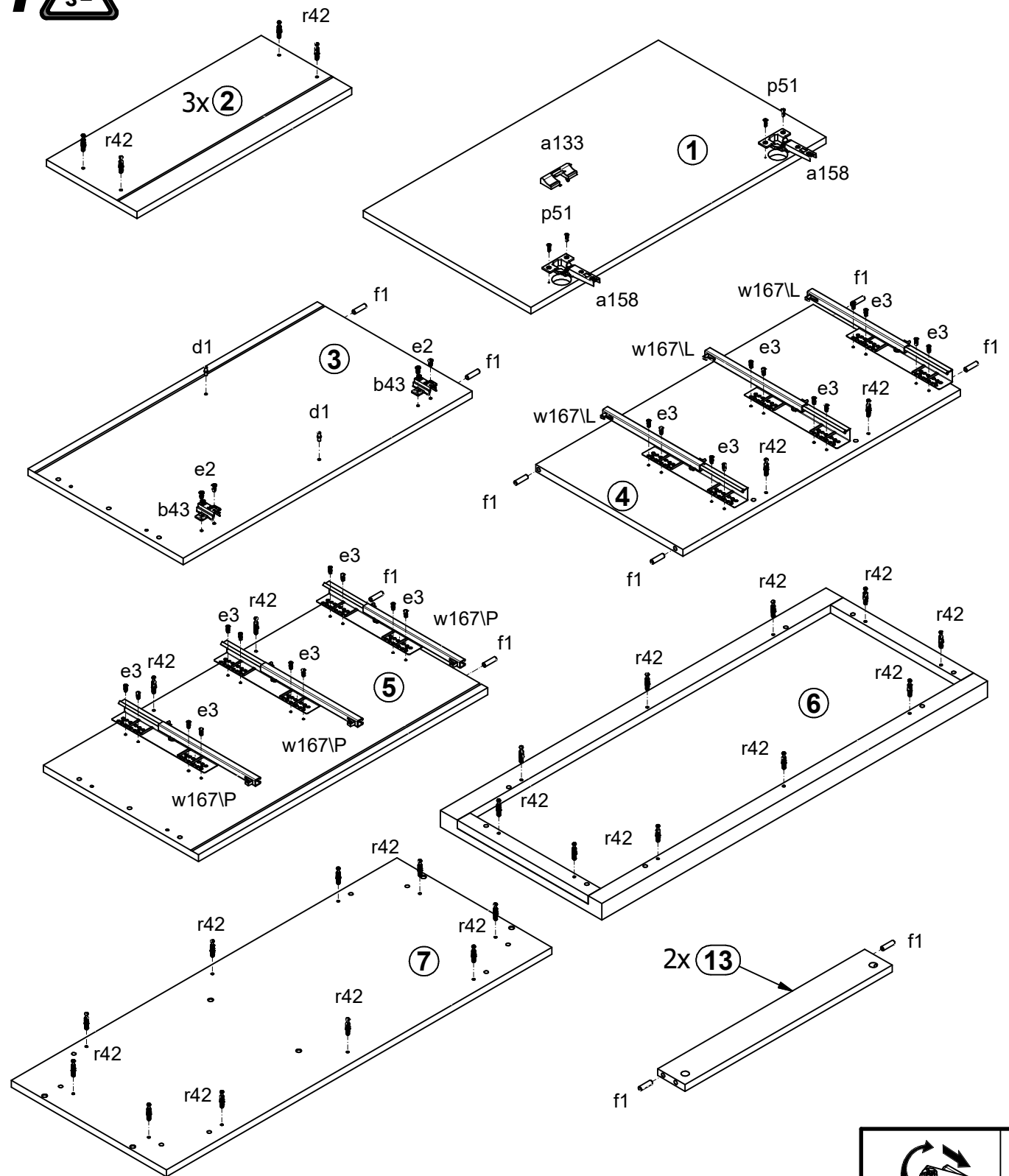


3x

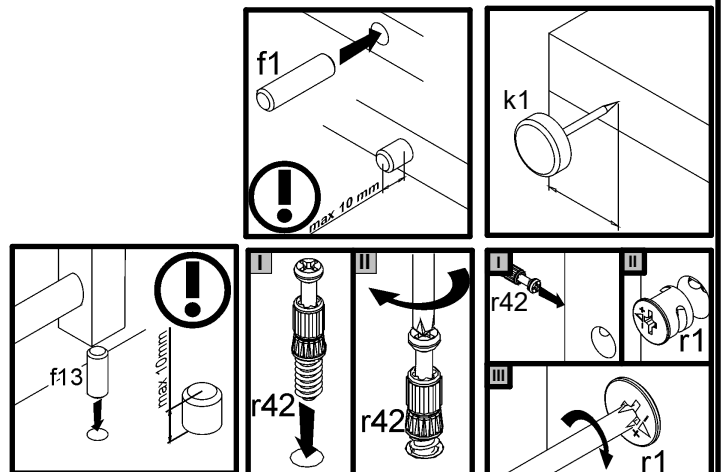
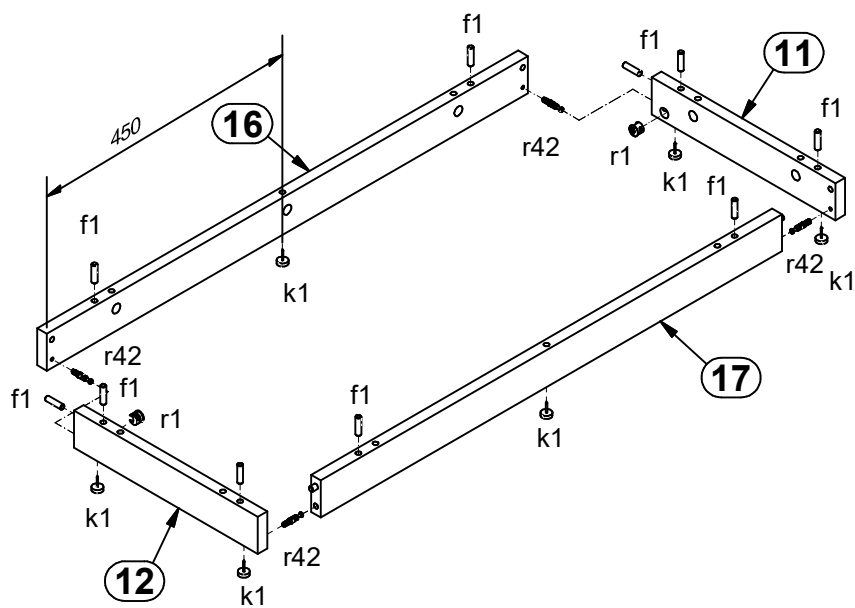
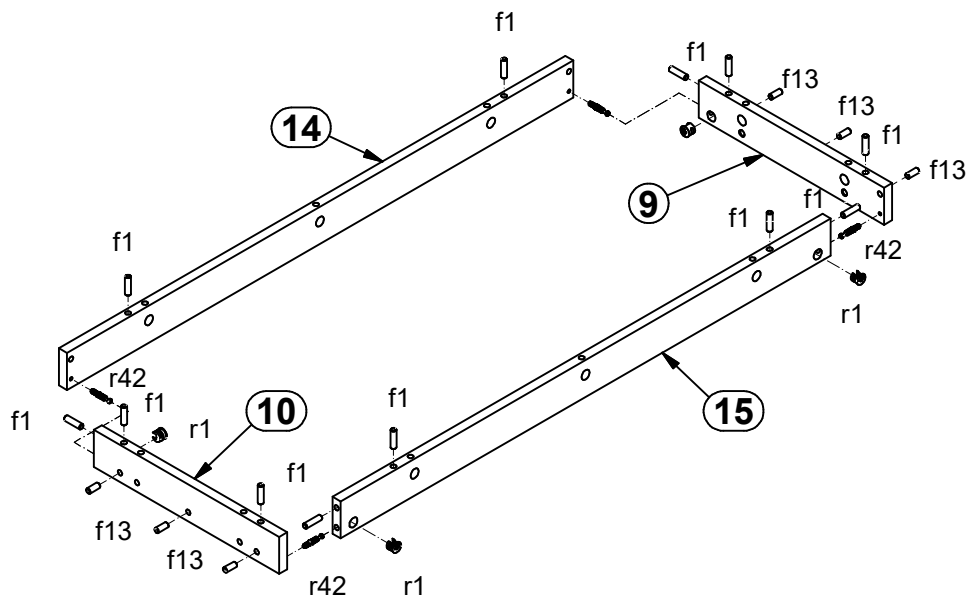


1x  a133	2x  a158	2x  b43	4x  d1	6x  e1	4x  e2	24x  e3	4x  e45	36x  f1
6x  f13	12x  f25	6x  k1	8x  l2	4x  n108	10x  p38	4x  p51	10x  p55	8x  p93
32x  r1	12x  r15	44x  r42	3x  w167L	3x  w167P	2x  s1	3x  s2	1x  z1	1x  n26

1 §2

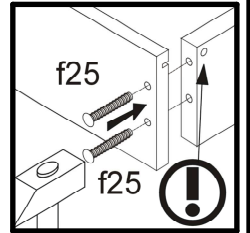
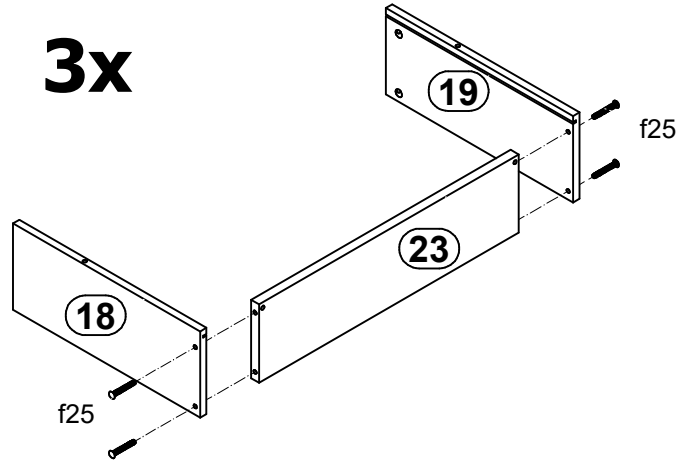


# 2



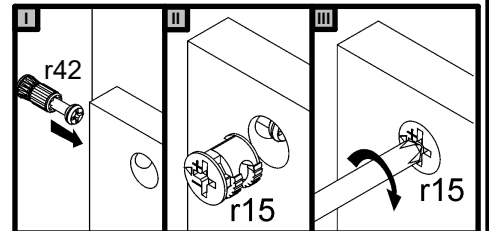
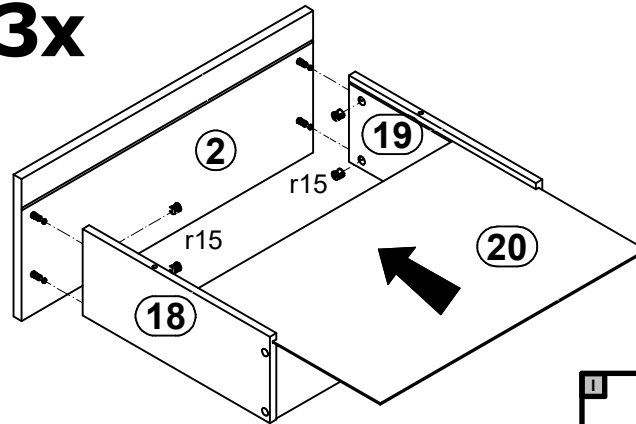
# 3

## 3x



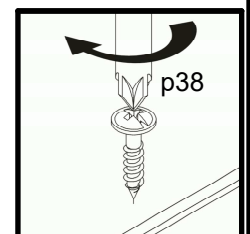
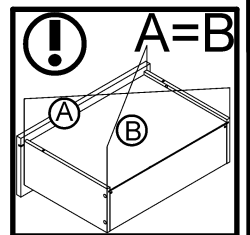
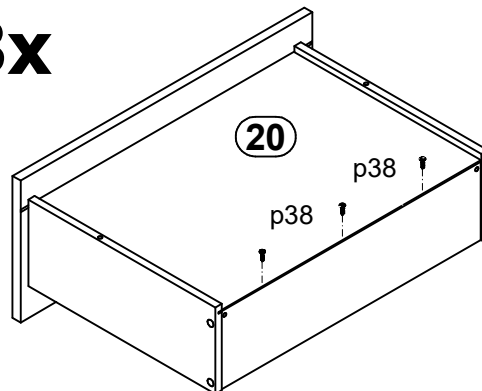
# 4

## 3x

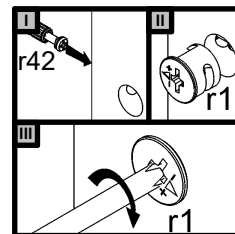
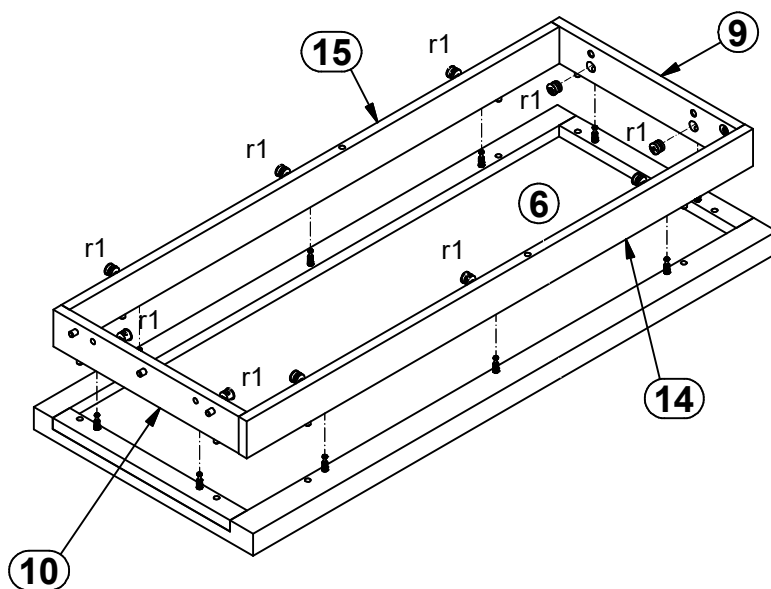


# 5

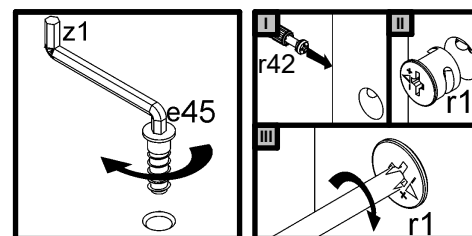
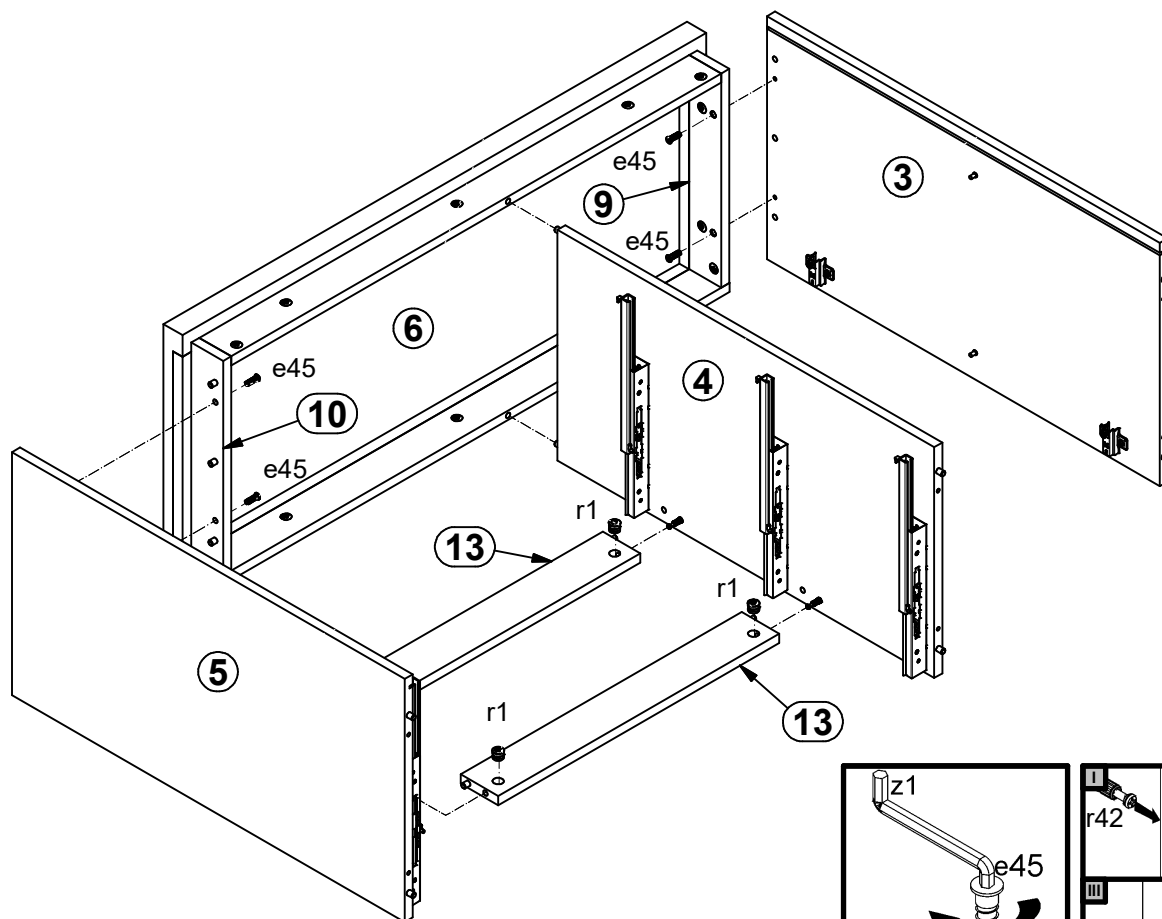
## 3x



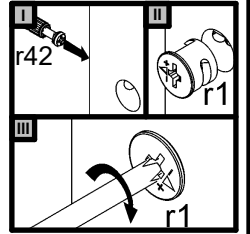
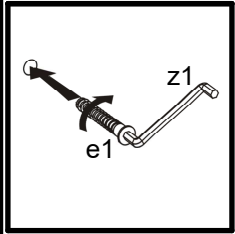
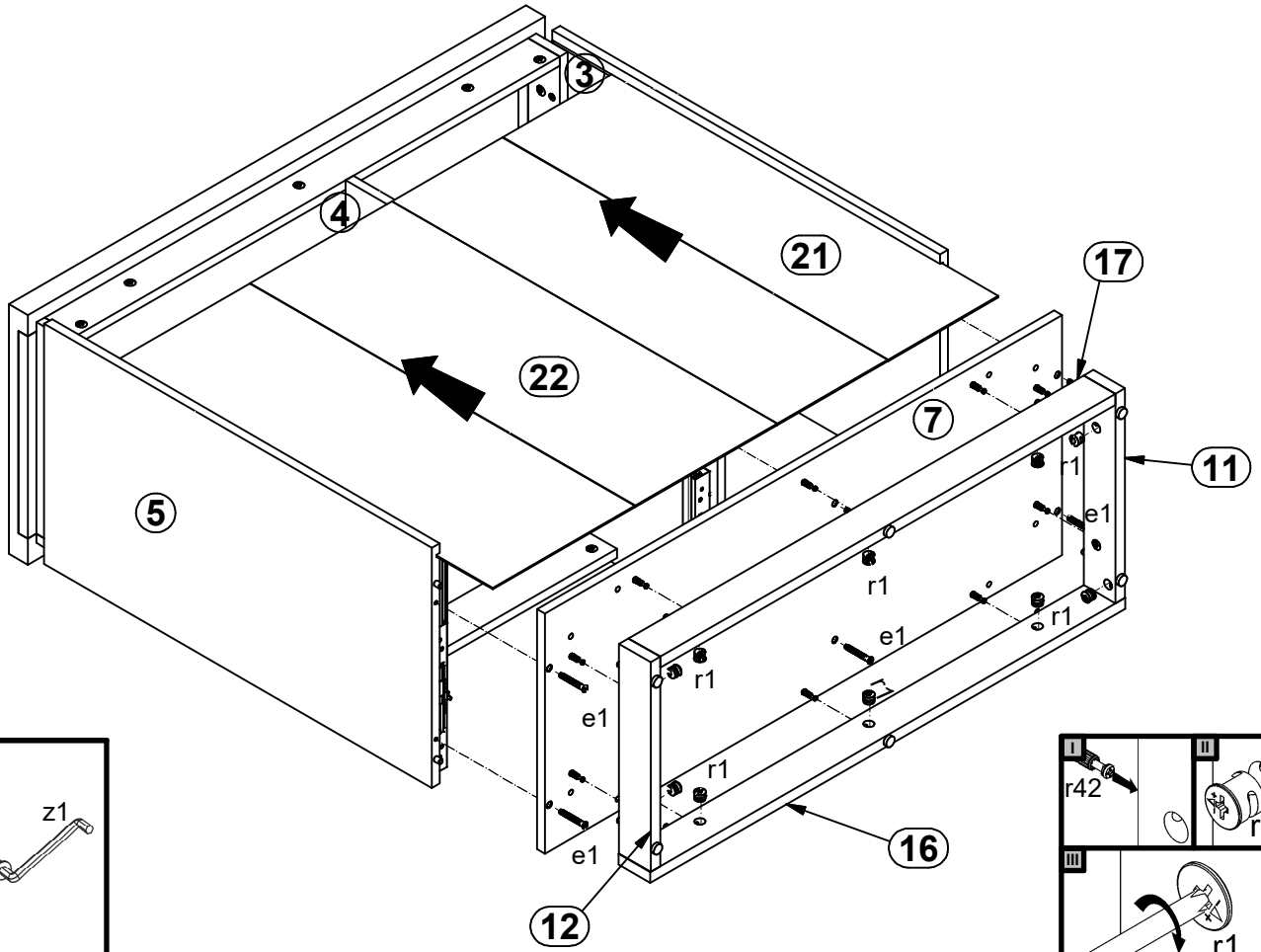
# 6



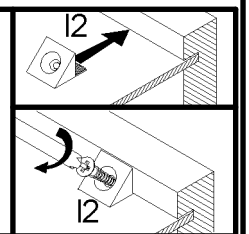
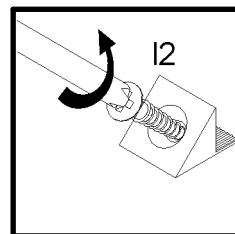
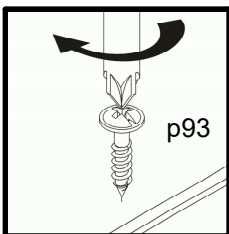
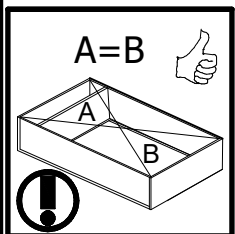
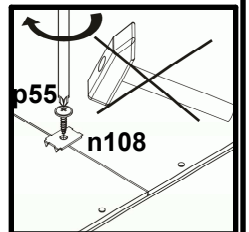
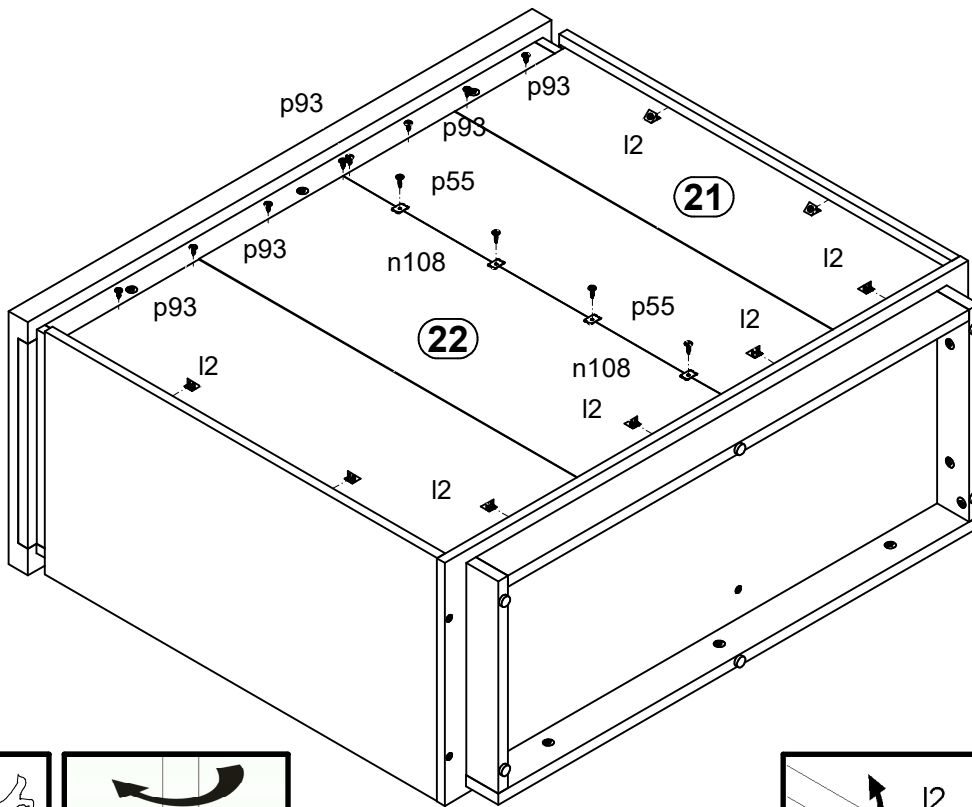
# 7



# 8



# 9



# 10

