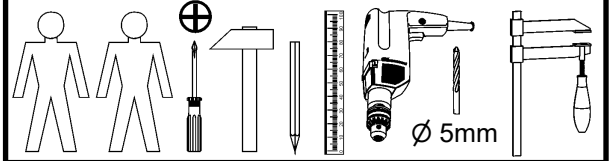
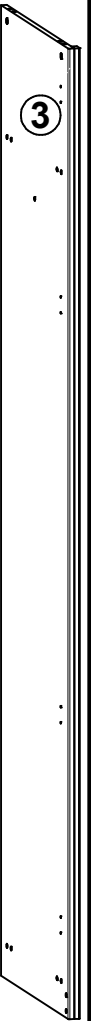
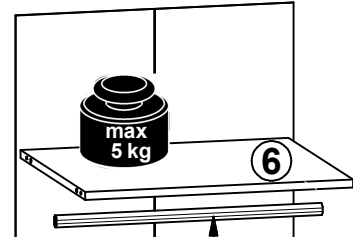
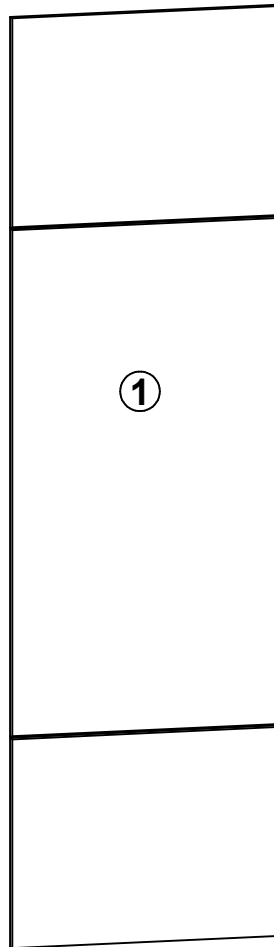
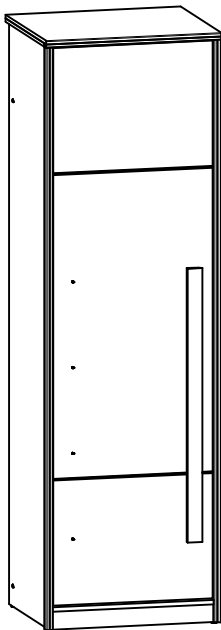
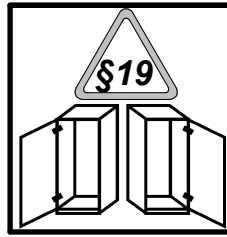


**A**

**NAMEK**

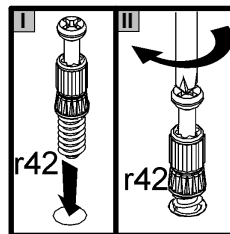
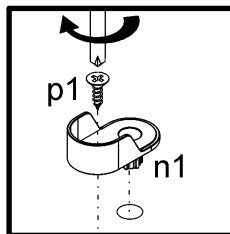
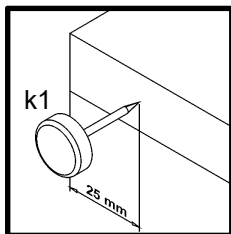
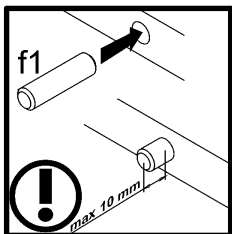
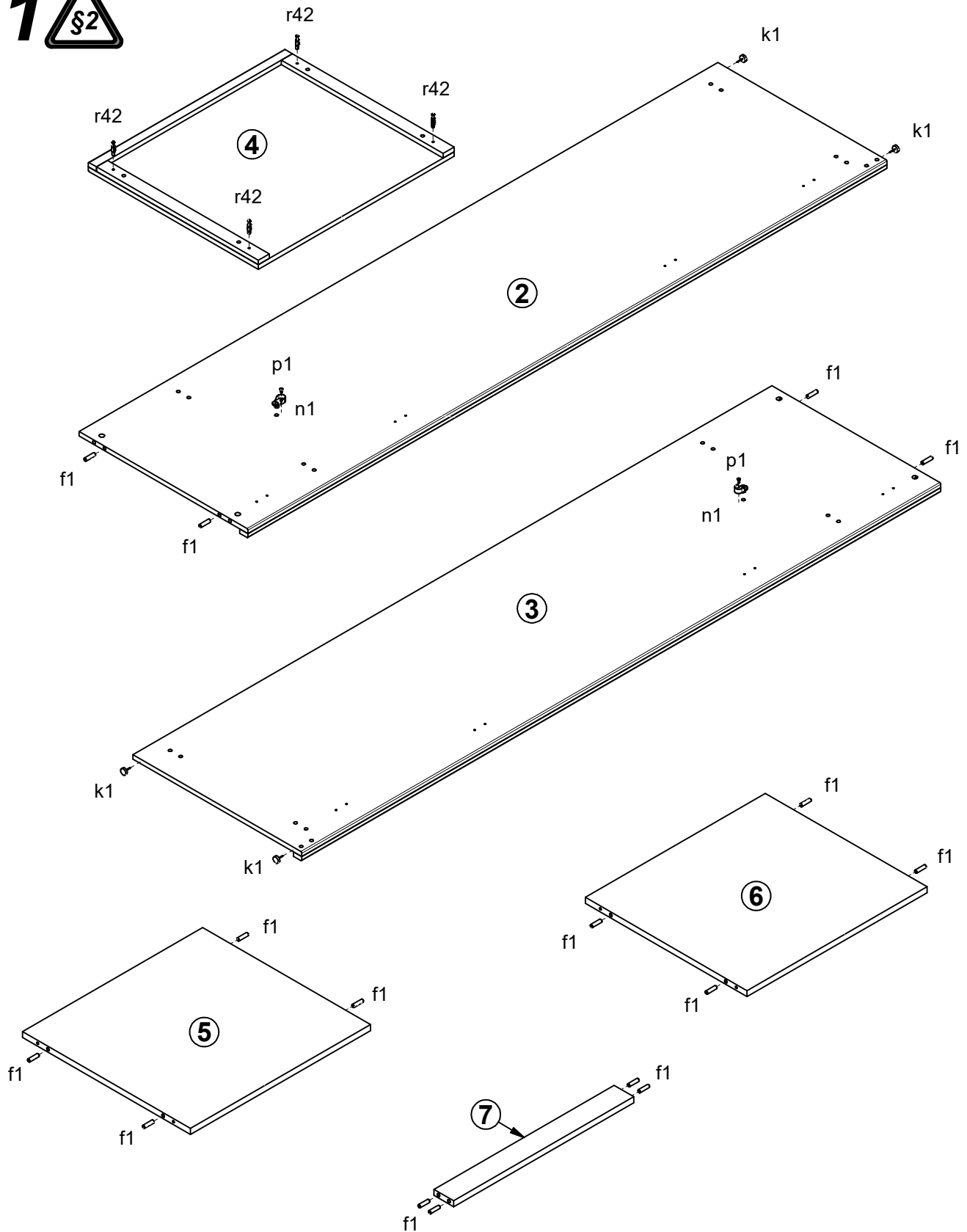
**S412-SZF1D**

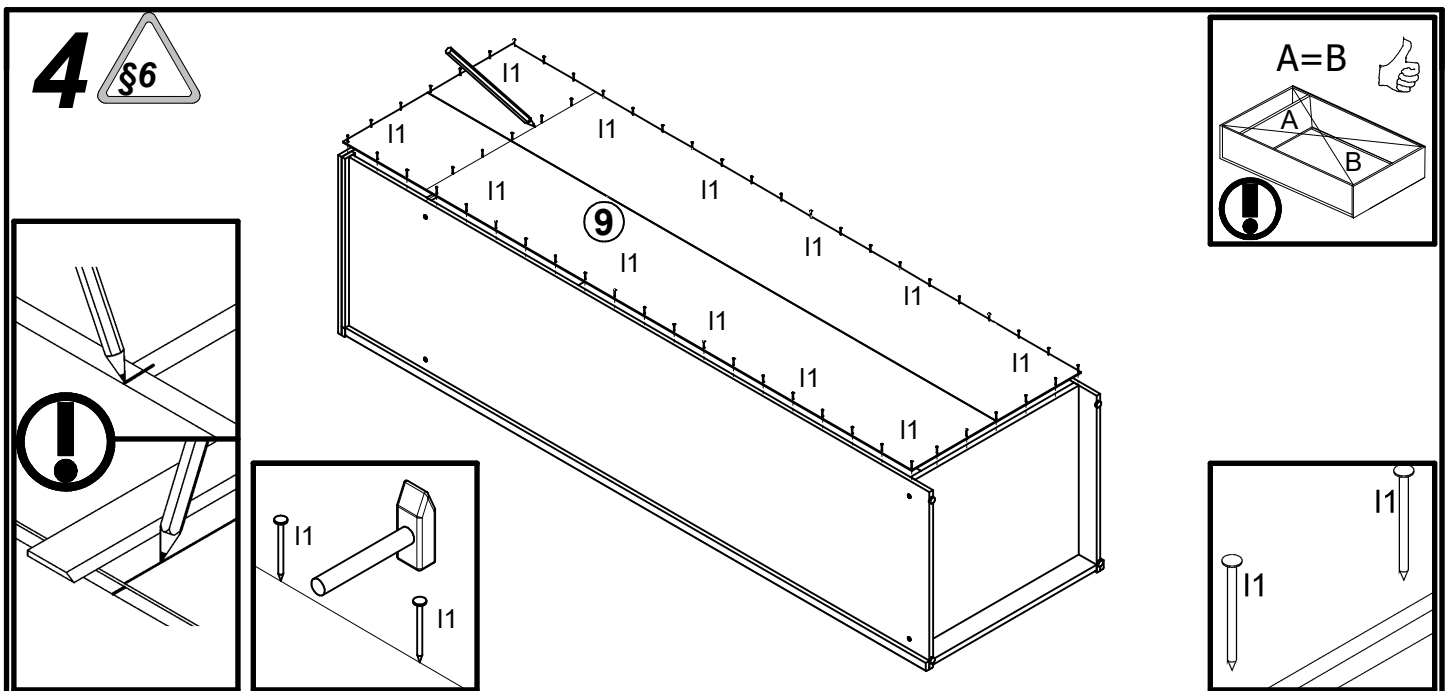
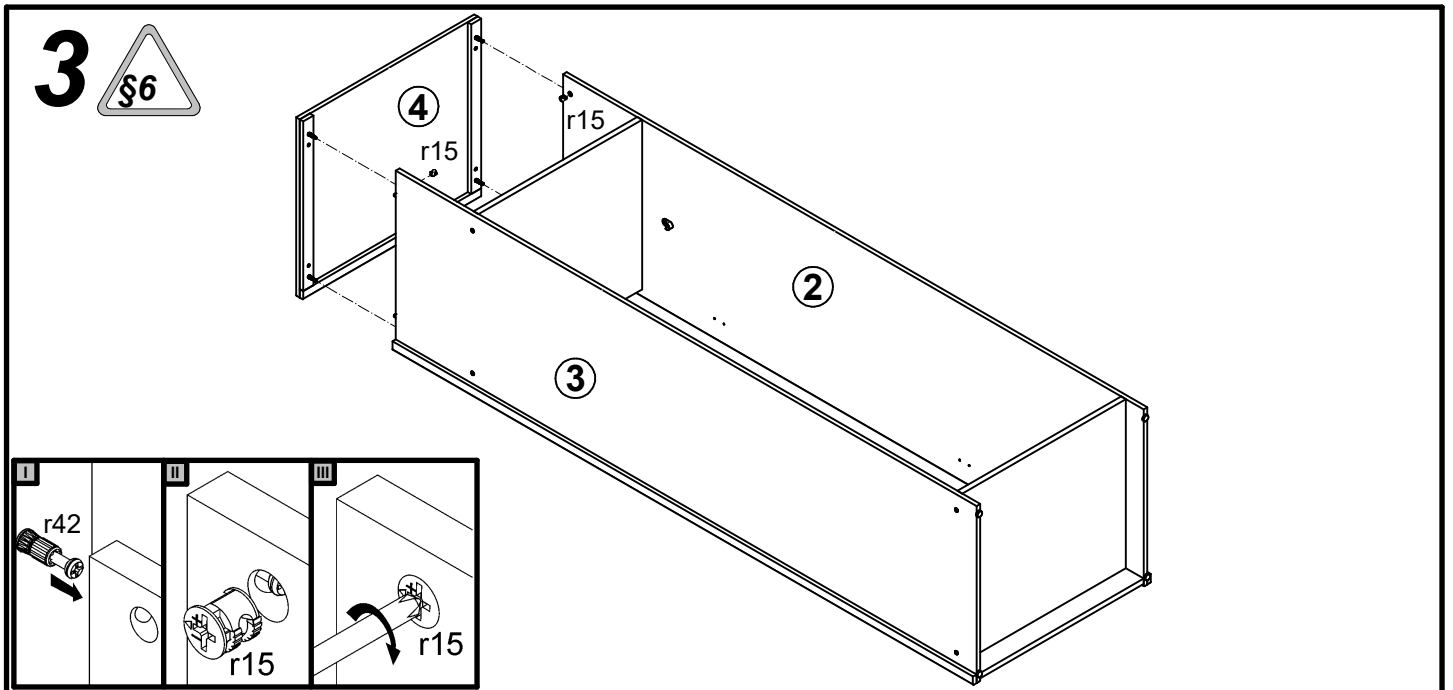
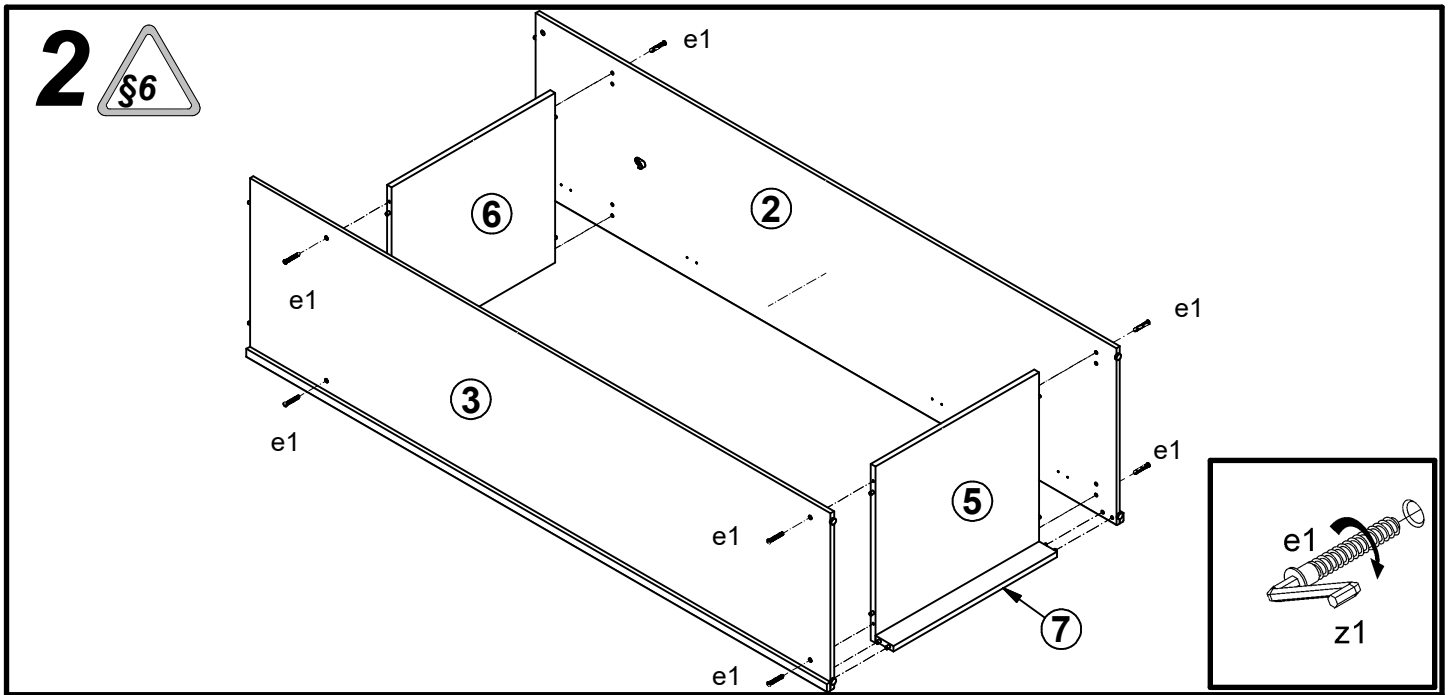
A	B	C	D
1	S412-0003	1874,	546 1/2
2	S412-1001	1956,	517 1/2
3	S412-1002	1956,	517 1/2
4	S412-2002	600	520 2/2
5	S412-3003	551	514 2/2
6	S412-3004	551	495, 2/2
7	S412-4002	551	60 2/2
8	S412-5701	920,	50, 1/2
9	S412-9302	1916,	571 1/2
10	dr-547	547	22 2/2



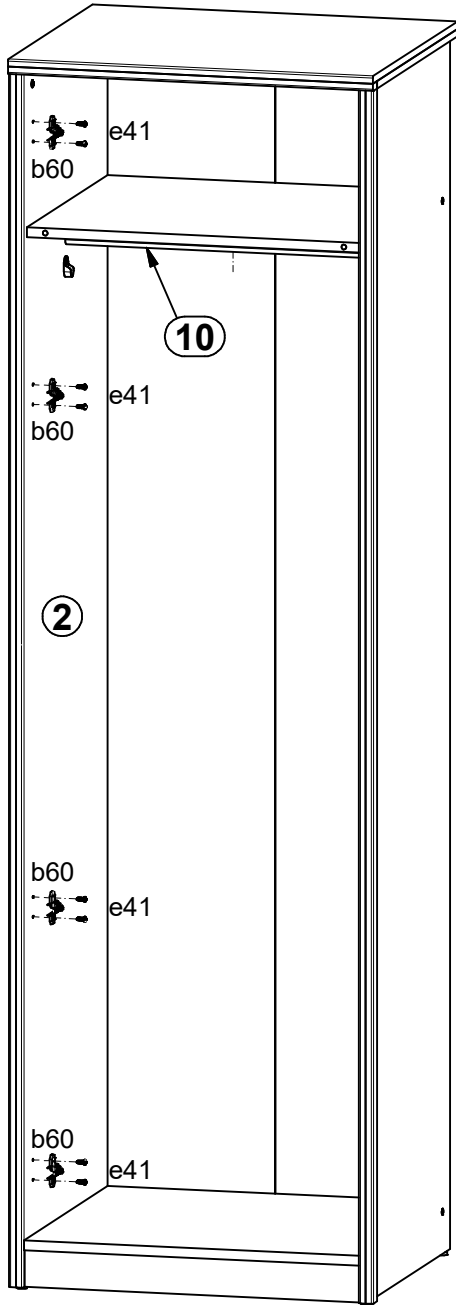
4x K16 a43	4x D5 b60	8x Ø7x50 mm e1	8x Ø5x12 mm e41	16x Ø8x30 mm f1	4x k1	65x 1.4x20 mm l1	2x h=22mm n1	1x silikon o21
2x Ø3,5x13 mm p1	8x Ø3,5x15 mm p51	4x Ø4x28 mm p94	4x Ø12x10,5 mm #12 r15	4x 20/11 r42	8x s1	4x Ø12 s34	4x Ø35x62x40x10 s71	1x 4 mm z1
2x 88x21x15/1,5 n14/2	2x Ø5x60 mm p17	4x Ø3,5x16 mm p38	2x Ø10x50 mm f35					

1 

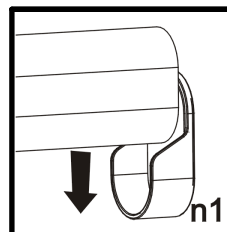
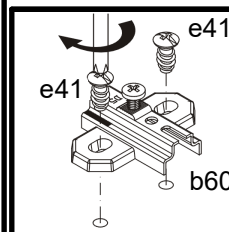
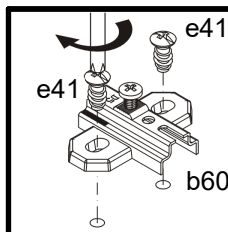
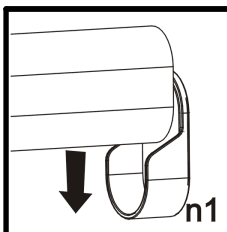
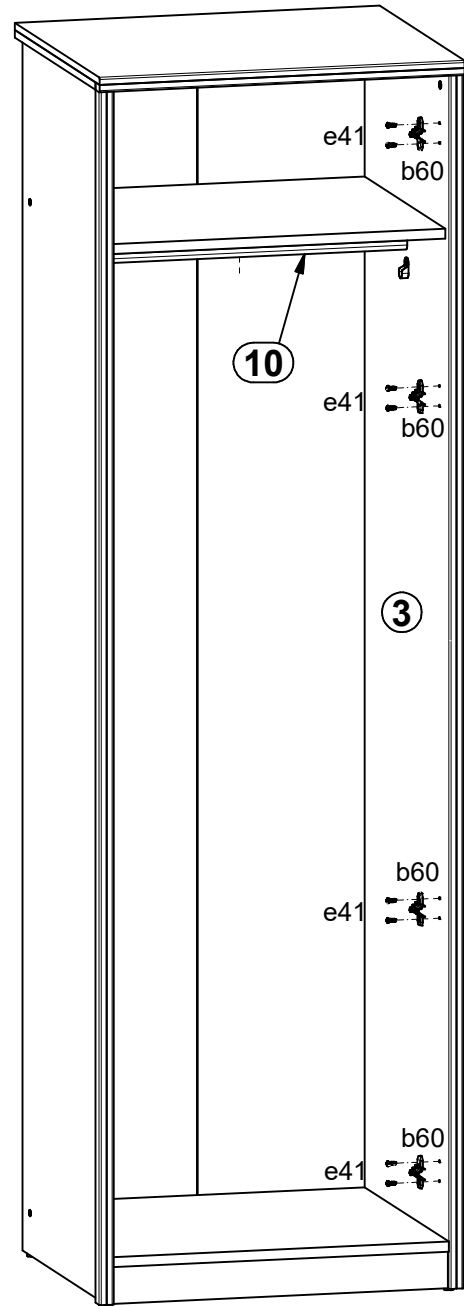




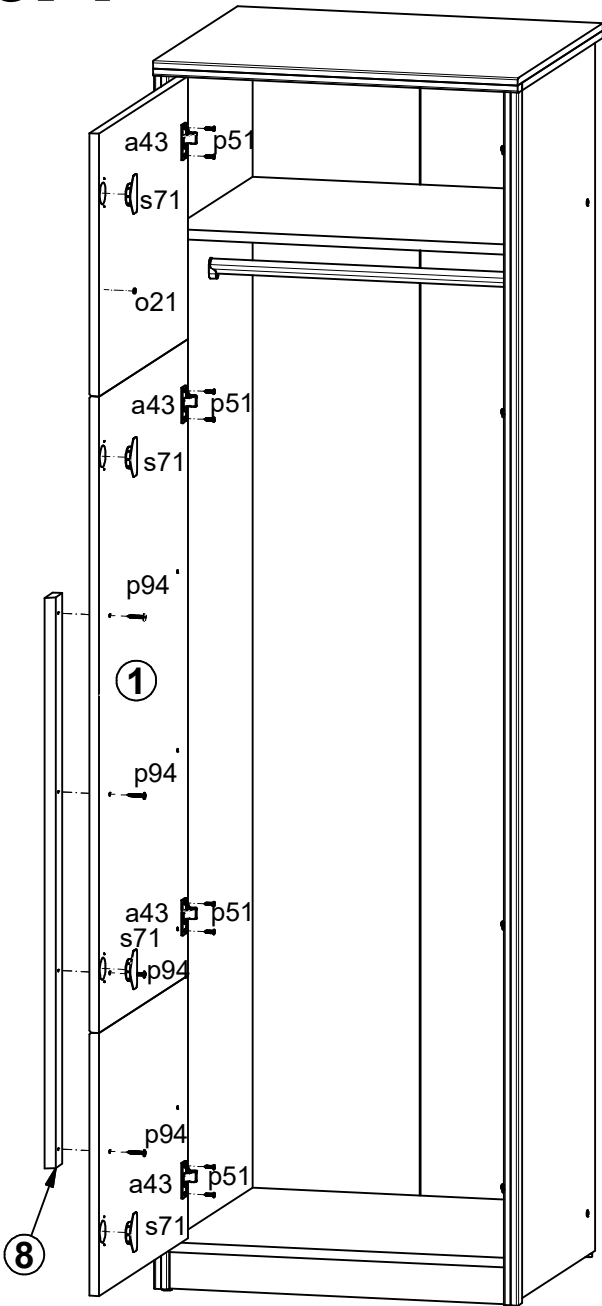
# 5A



# 5B



# 6A



# 6B

