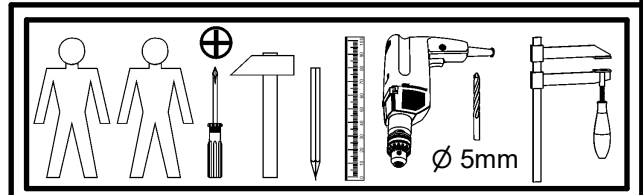
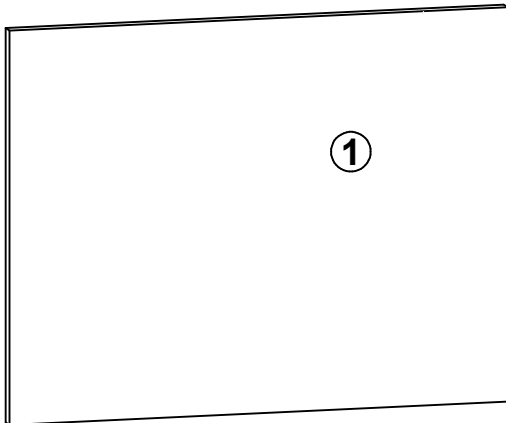
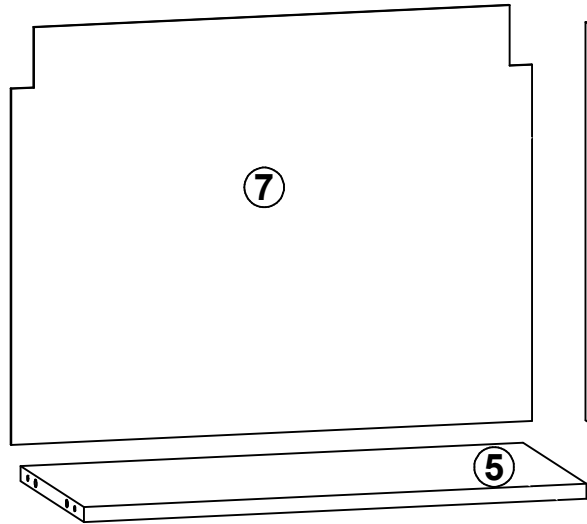
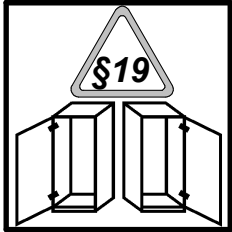
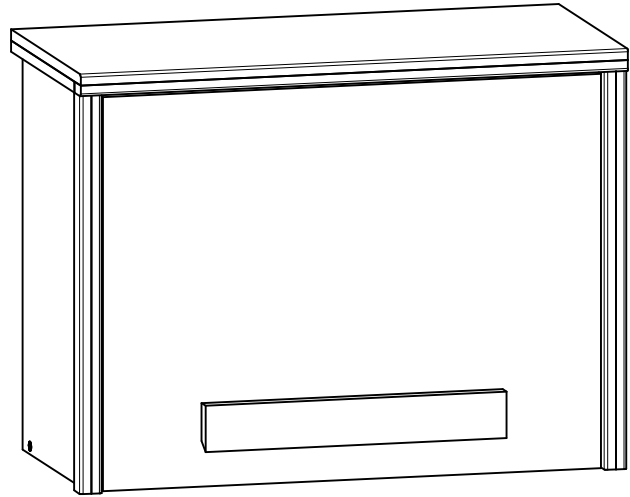


A

NAMEK

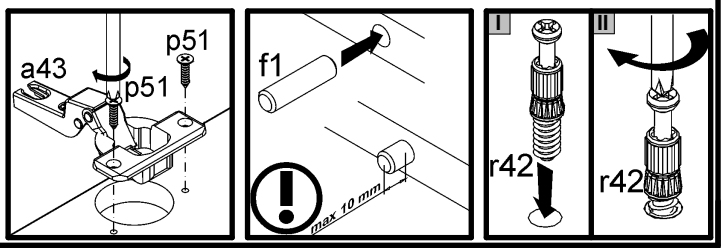
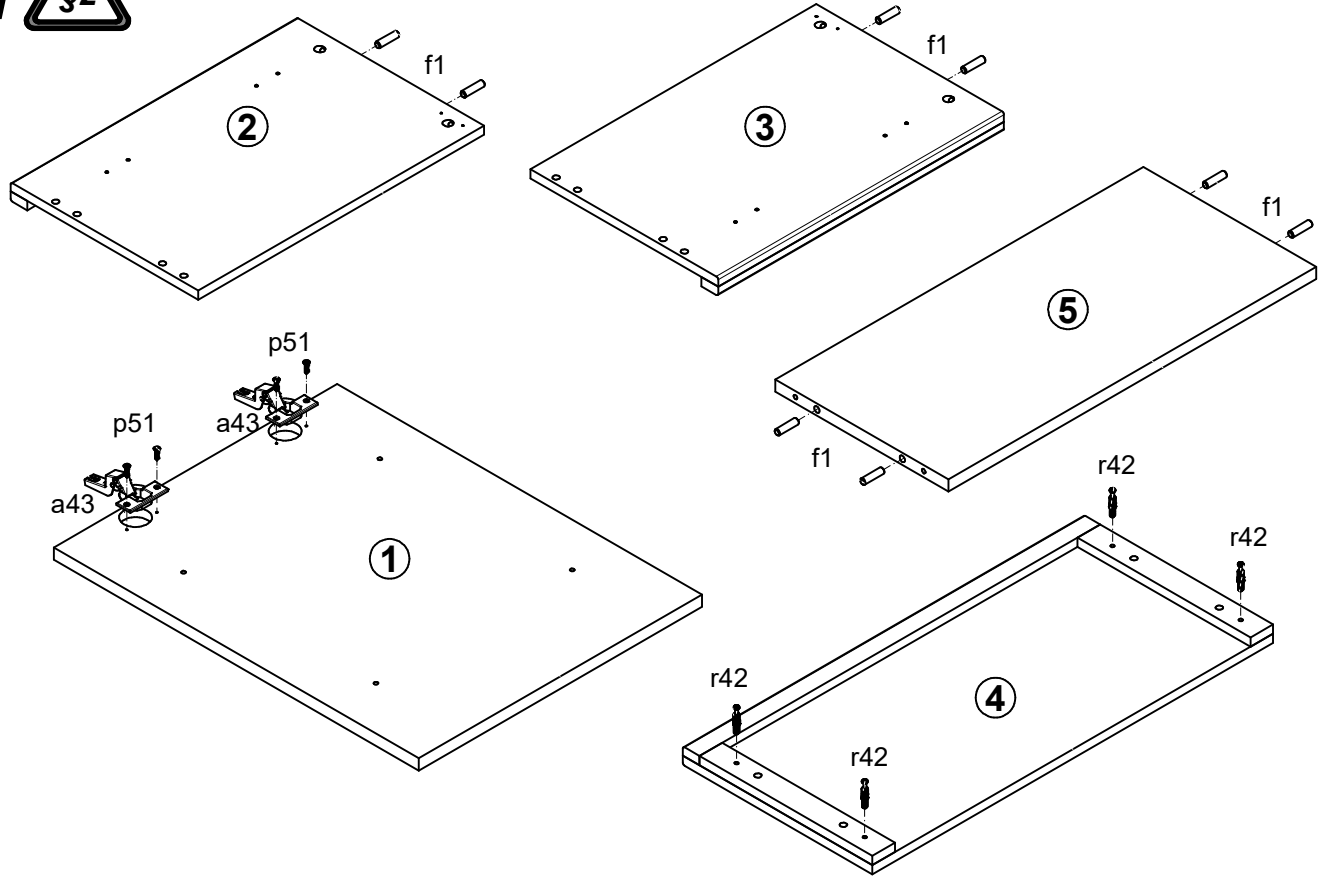
S412-SFW1D

A	B	C	D
1	S412-0015	546	424, 1/1
2	S412-1021	428	281 1/1
3	S412-1022	428	281 1/1
4	S412-2016	600	284 1/1
5	S412-3020	551	259 1/1
6	S412-5702	330, 50,	1/1
7	S412-9008	448	571 1/1

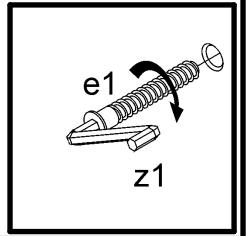
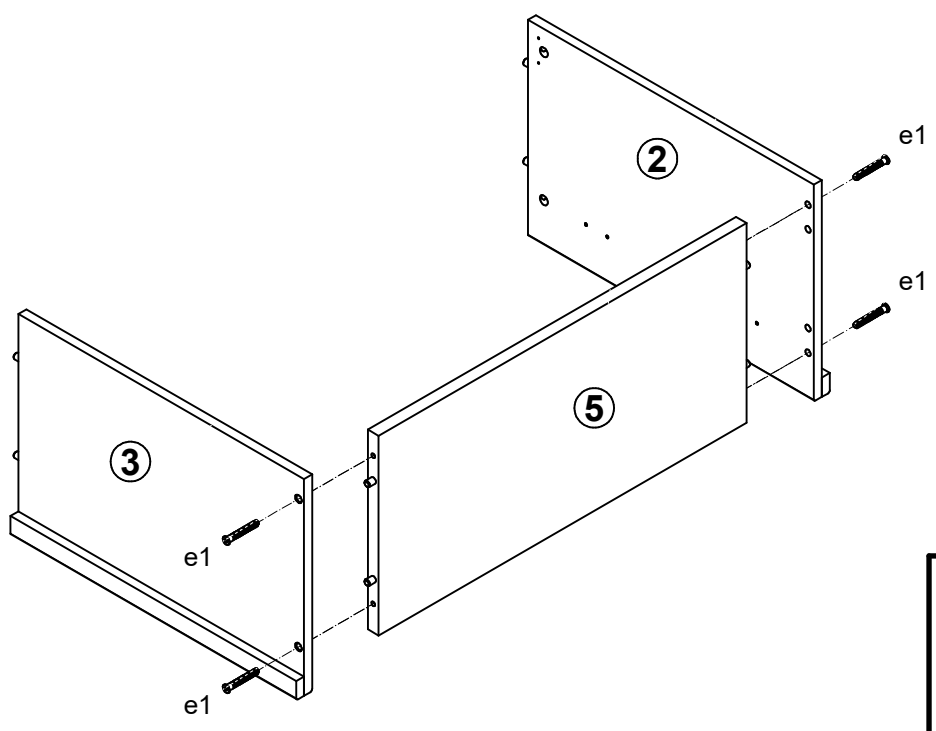


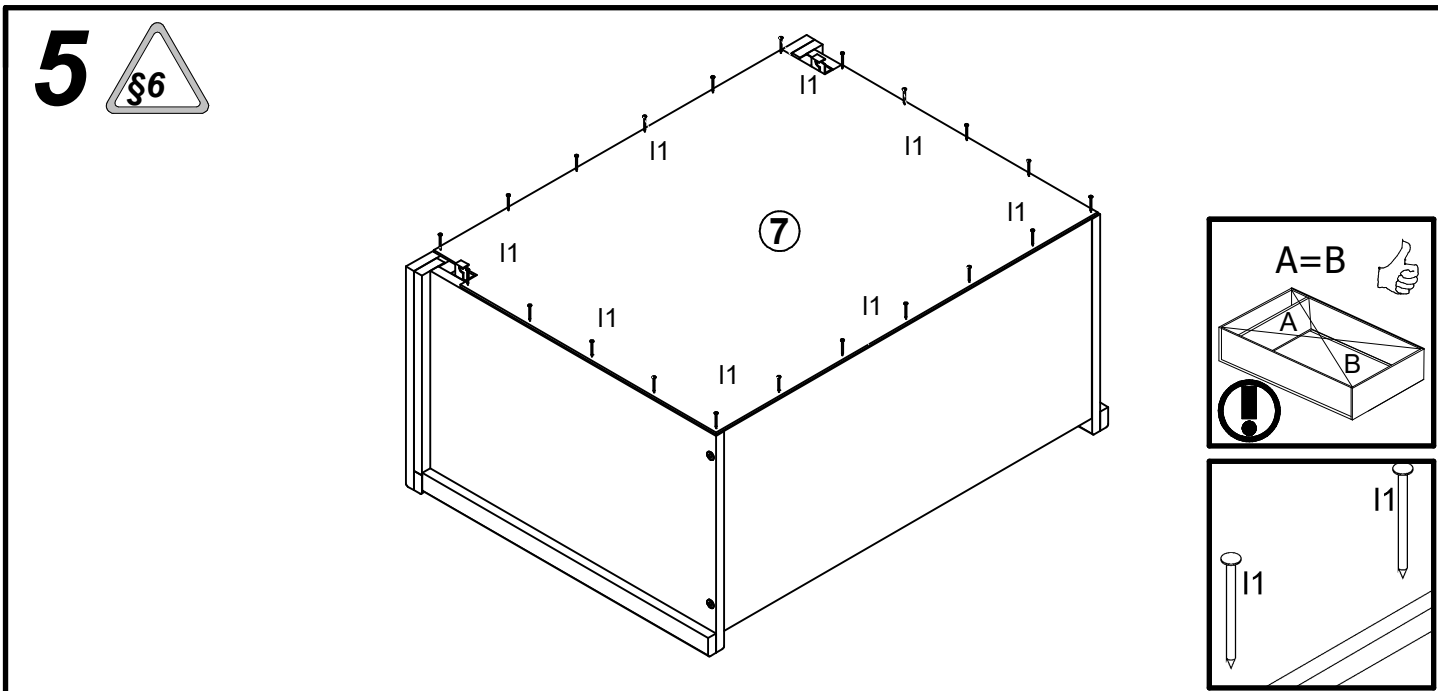
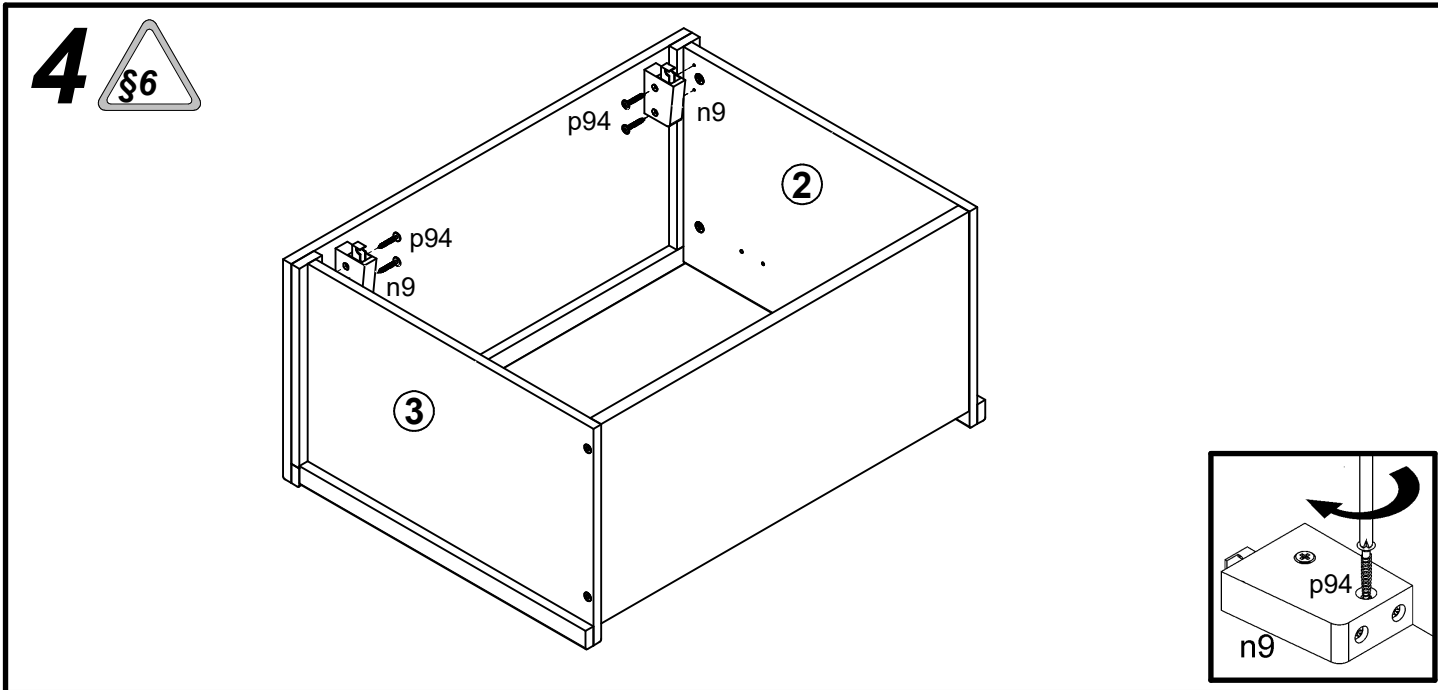
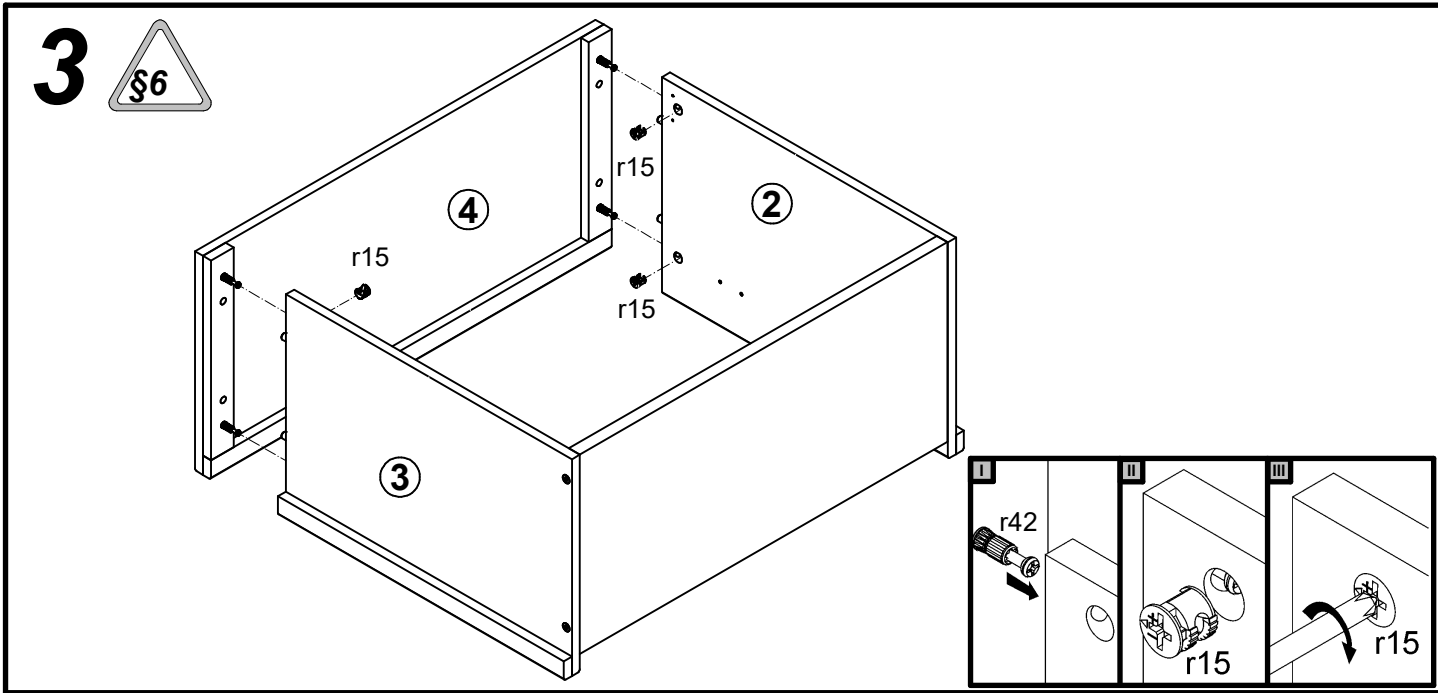
2x K16 a43	2x D5 b60	4x Ø7x50 mm e1	4x Ø5x12 mm e41	8x Ø8x30 mm f1	4x Ø10x50 mm f35	20x 1.4x20 mm l1	2x n10	2x n9
1x silikon o21	4x Ø5x60 mm p17	4x Ø3,5x15 mm p51	6x Ø4x28 mm p94	4x Ø12x10,5 mm #12 r15	4x 20x11 r42	4 s1	2x Ø12 s34	1x 4 mm z1

1

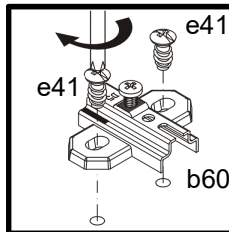
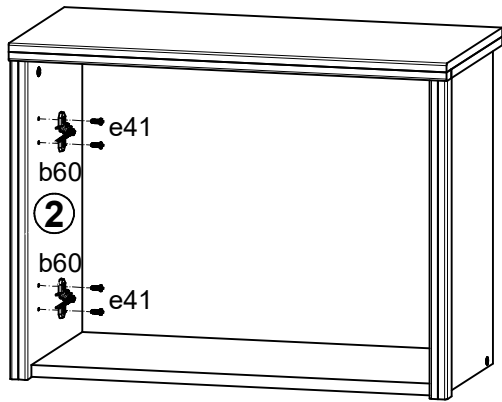


2

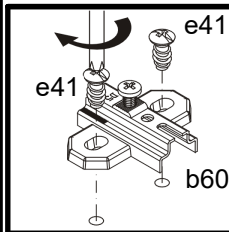
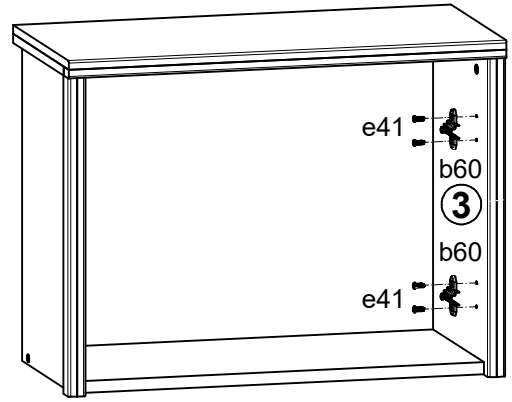




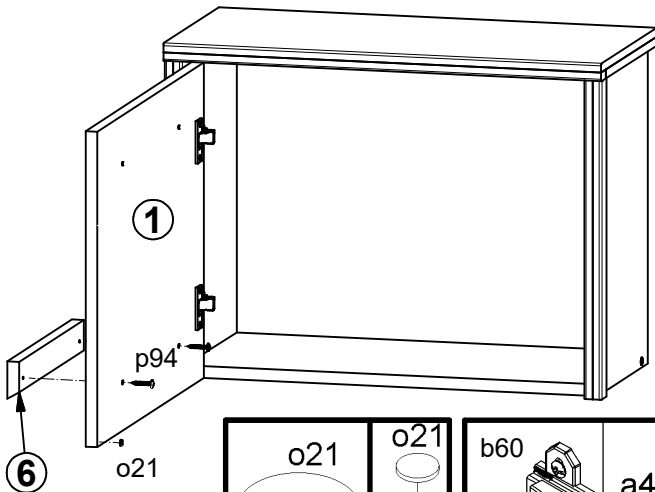
6A



6B

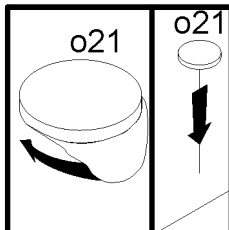


7A

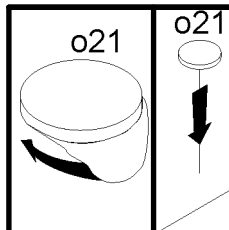
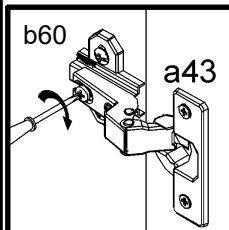
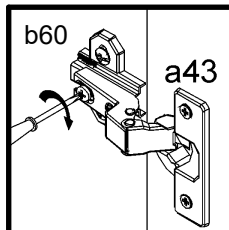


6

o21



o21



o21

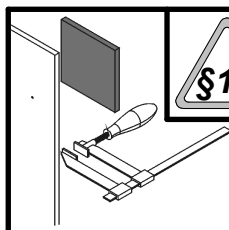
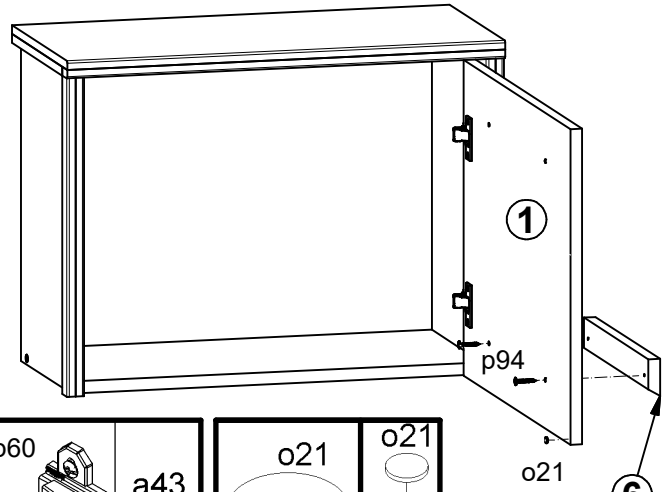
o21

p94

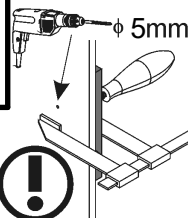
o21

6

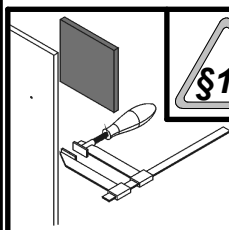
7B



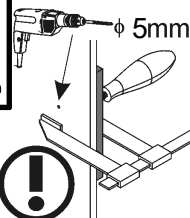
§12



φ 5mm



§12



φ 5mm

8

