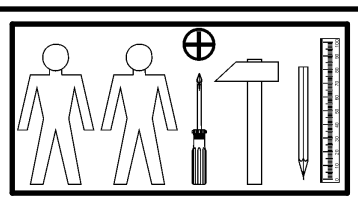
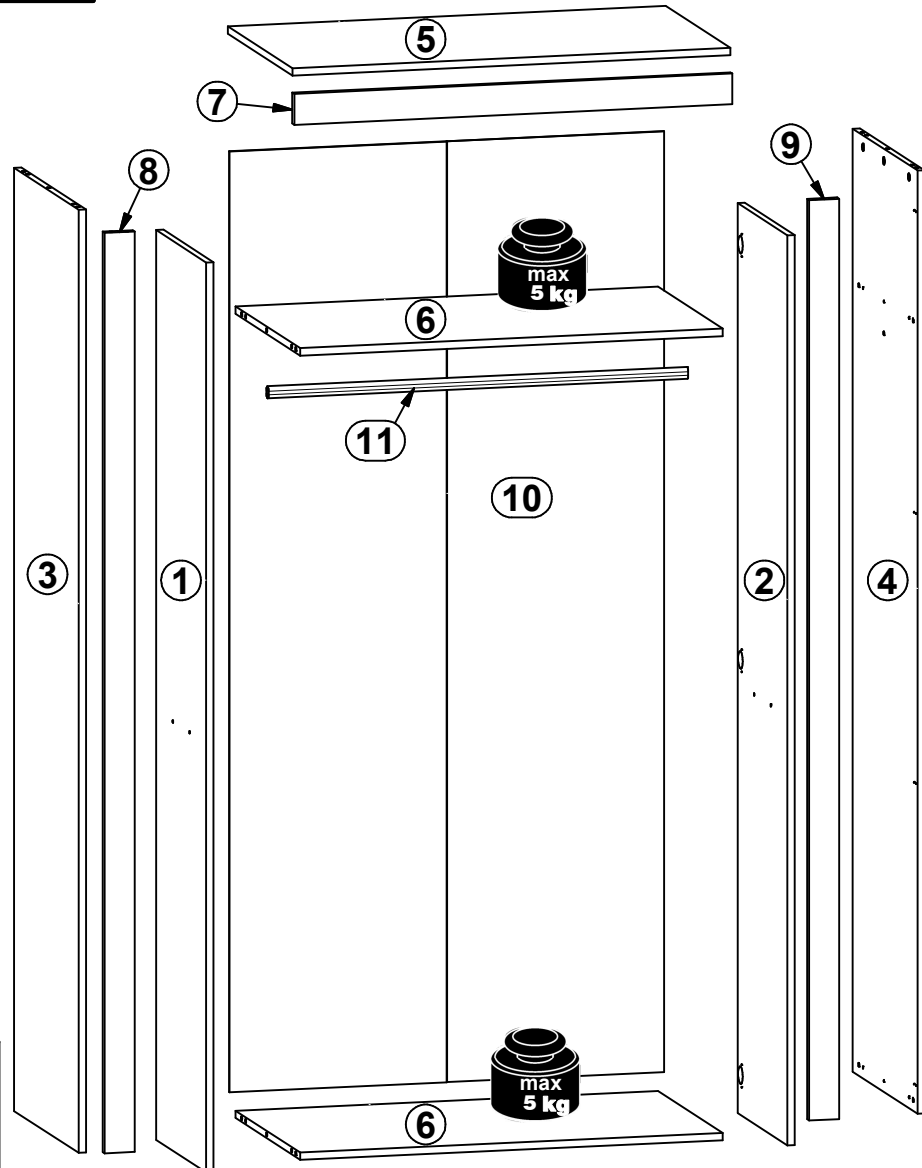
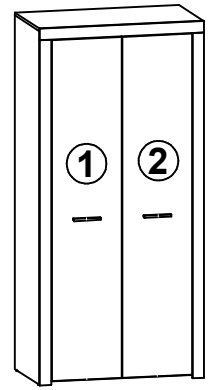
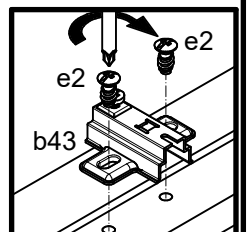
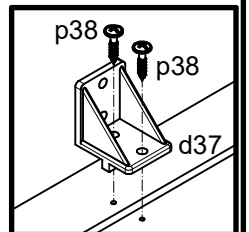
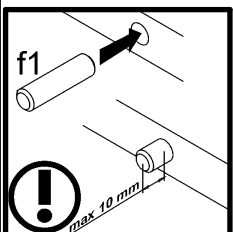
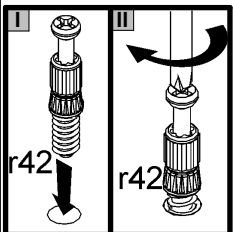
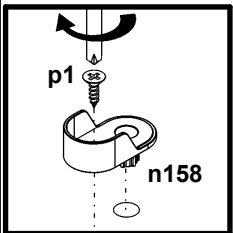
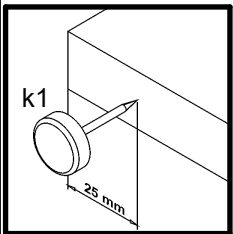
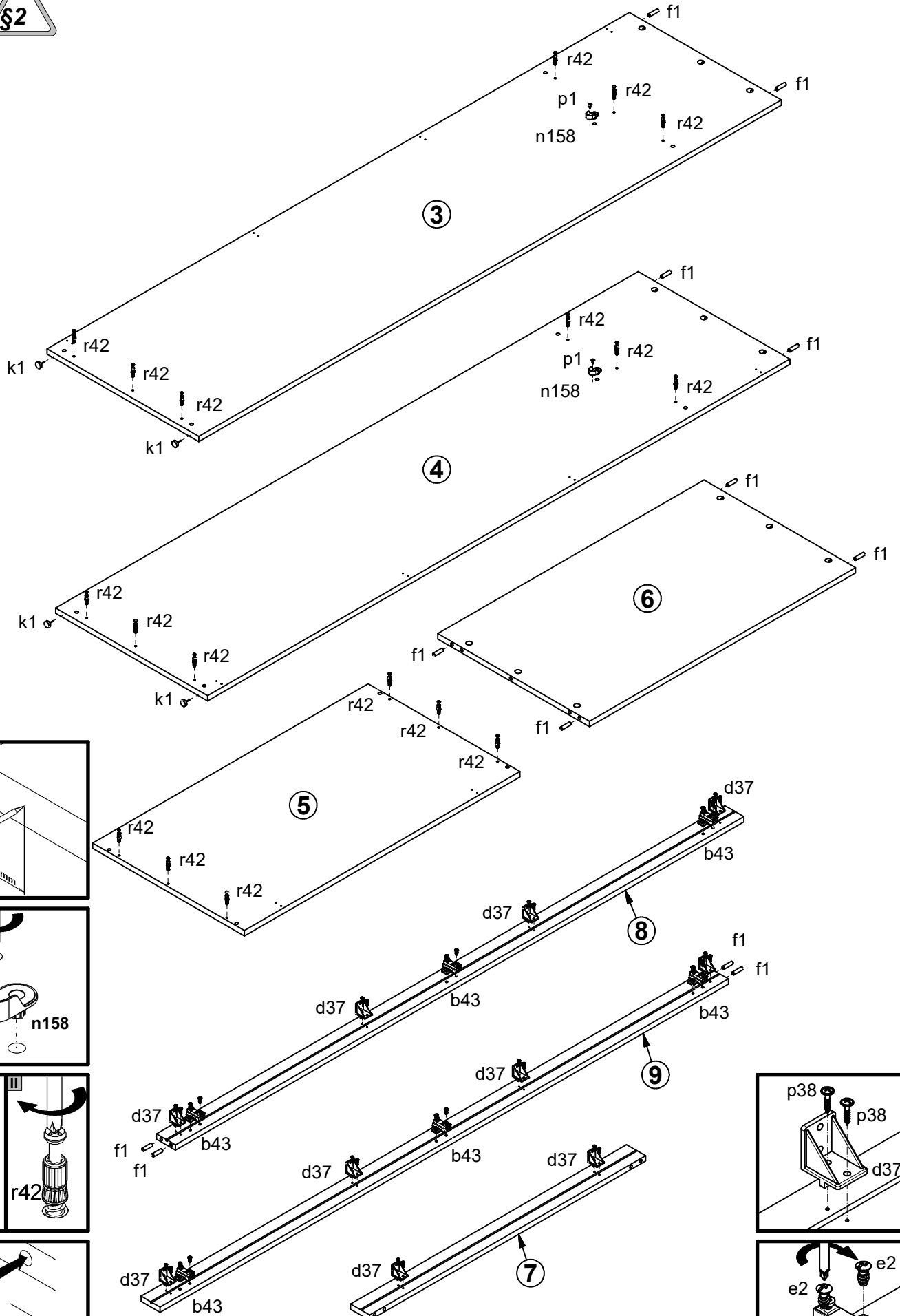


A	B	C	D
1	S382-0006	1833	383
2	S382-0007	1833	383
3	S382-1011	1900	495
4	S382-1012	1900	495
5	S382-2004	899	495
6	S382-3007	868	495
7	S382-5010	900	62
8	S382-5011	1854	62
9	S382-5012	1854	62
10	S382-9302	1895	893
11	dr-862	862	22

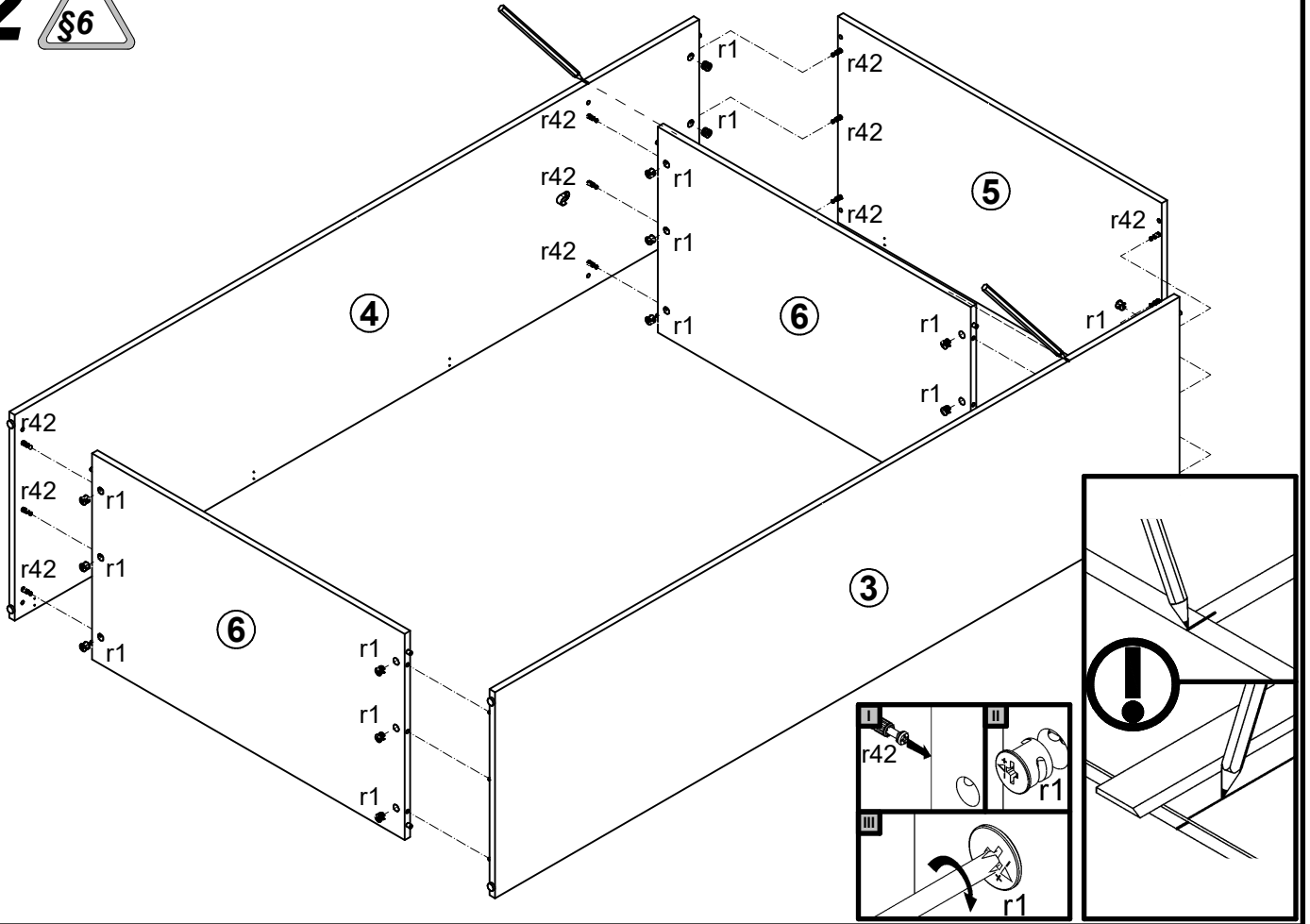


6x a132	6x b43	2x c328 128 mm	10x d37	12x e2 Ø6.3x13 mm	16x f1 Ø8x30 mm	4x k1	80x l1	2x n158
2x p1 Ø3.5x13 mm	40x p38 Ø3.5x16 mm	12x p51 Ø3.5x15 mm	4x p60 Ø4x22 mm	18x r1 Ø15x12 mm #16	18x r42 20/11	12x s2 Ø16		
							1x p38 Ø3.5x16 mm	1x n26/1

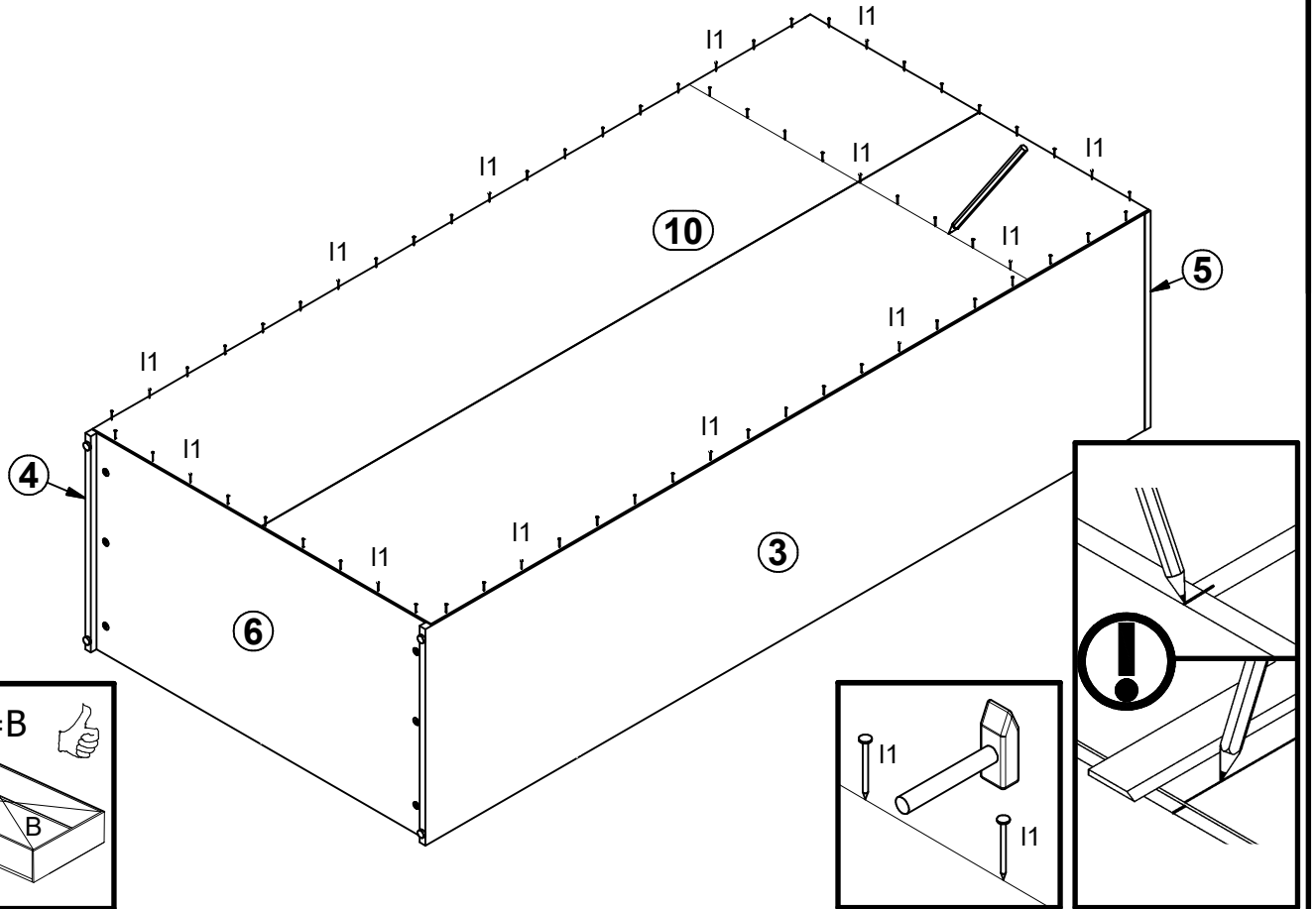
1 

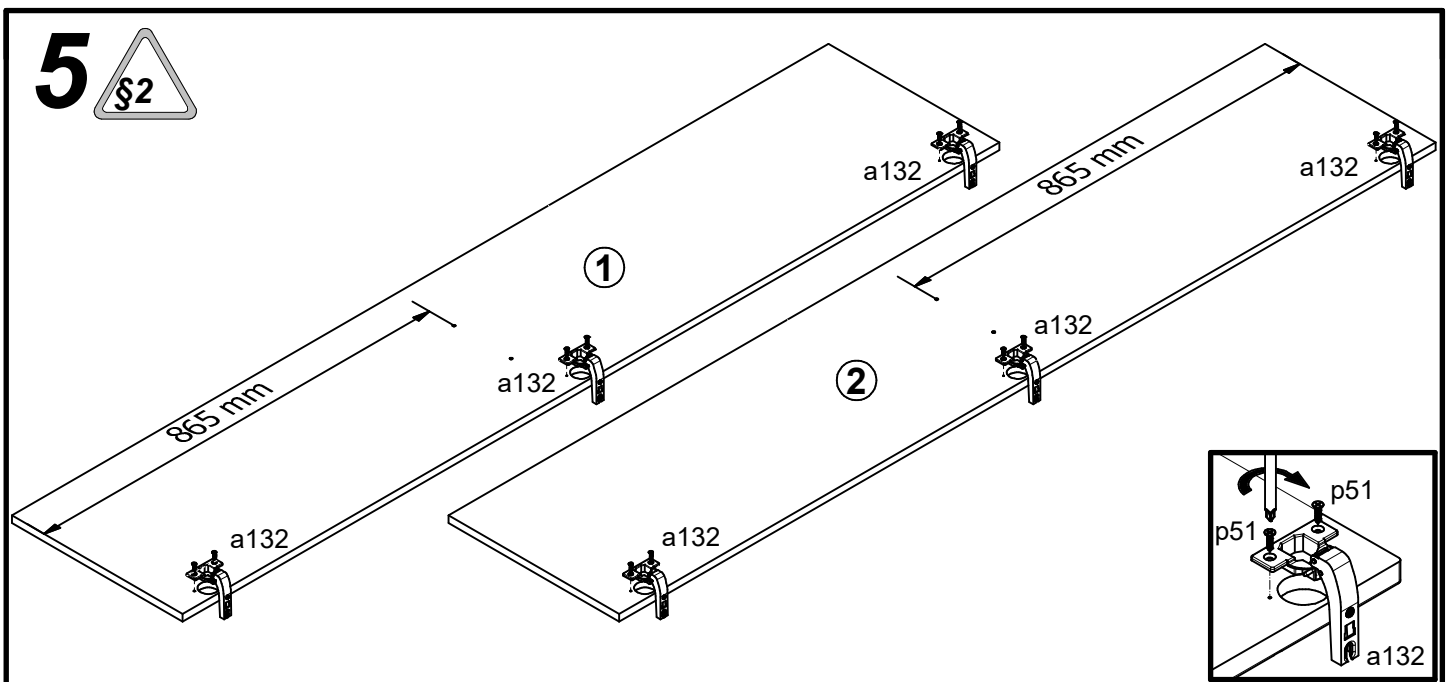
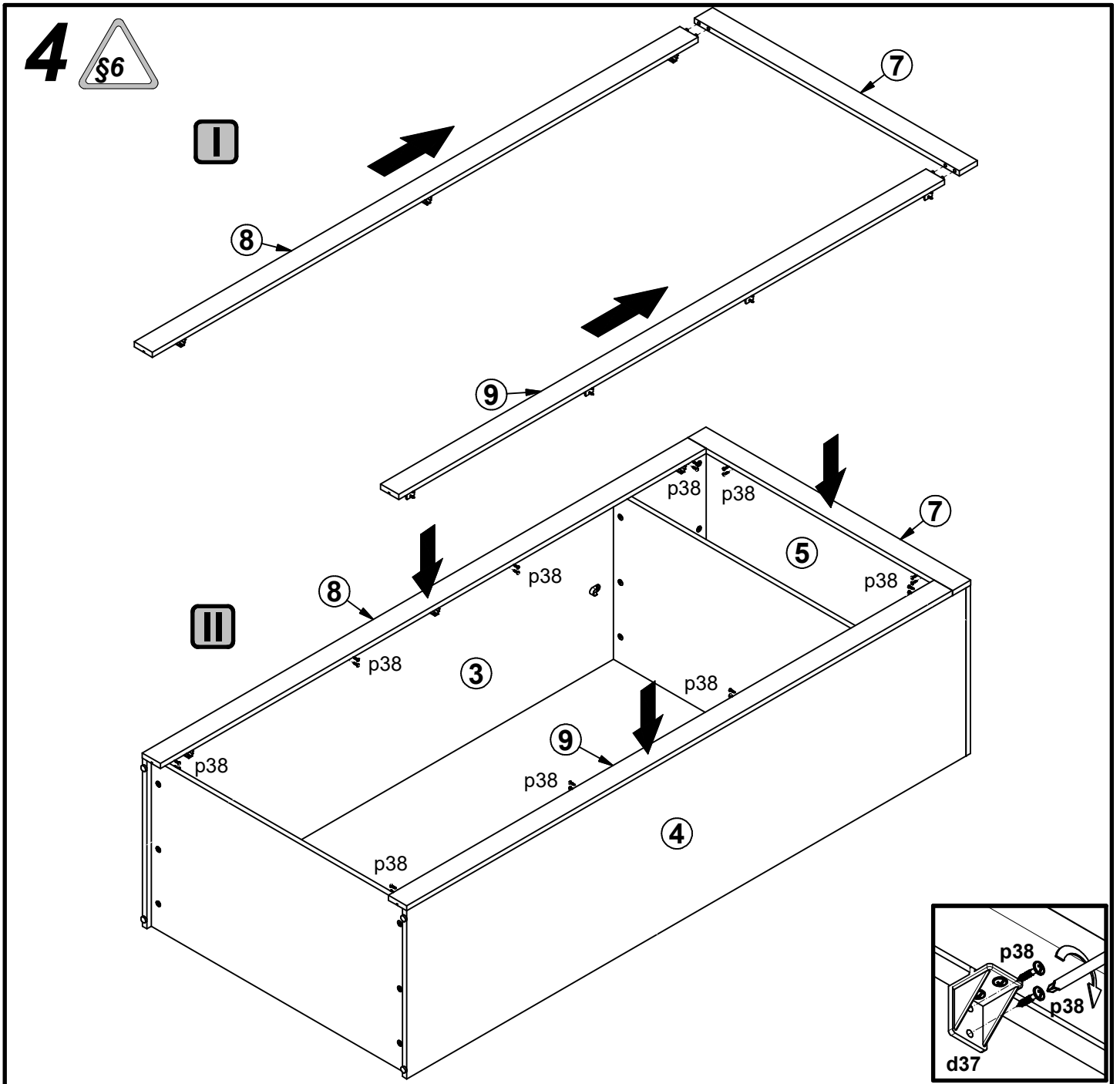


2



3





6 §2 §6 §10

