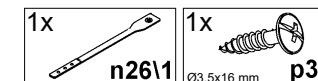
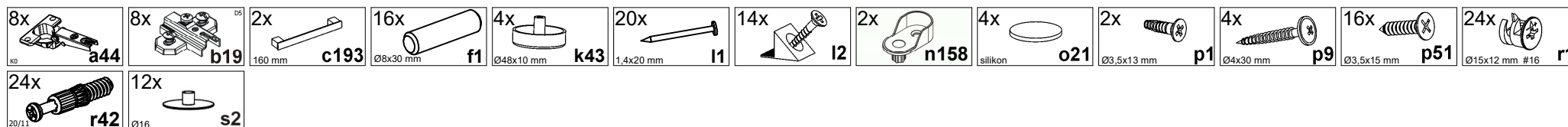
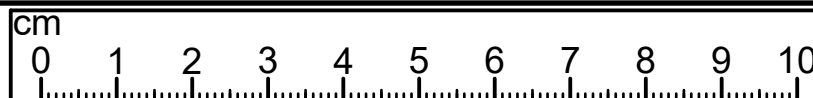
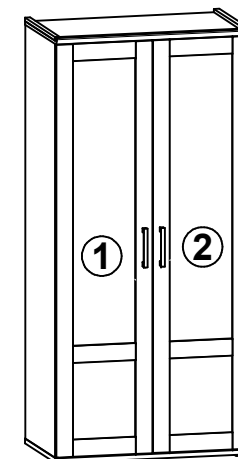
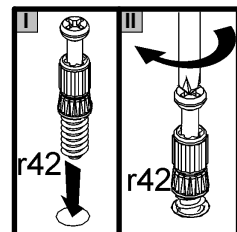
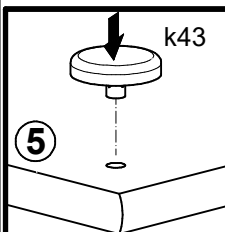
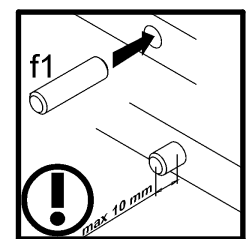
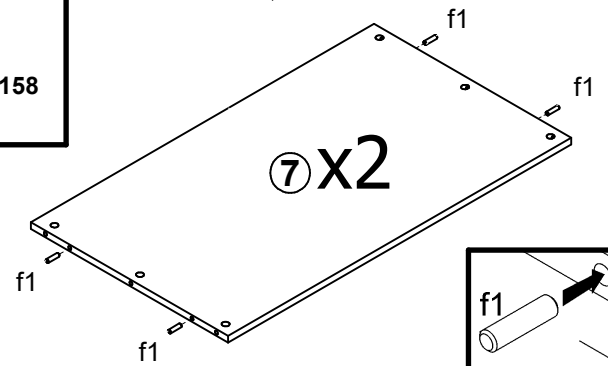
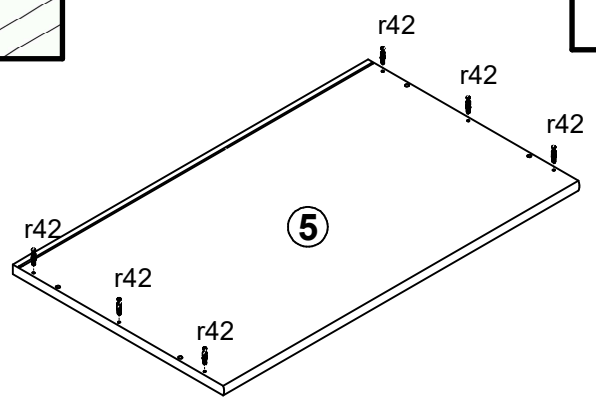
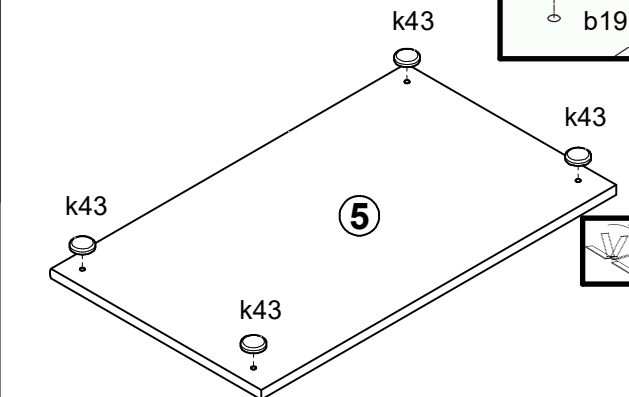
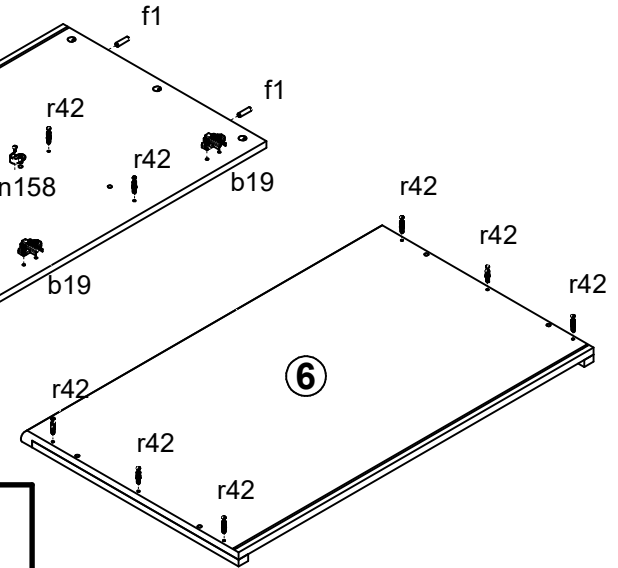
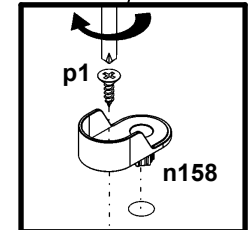
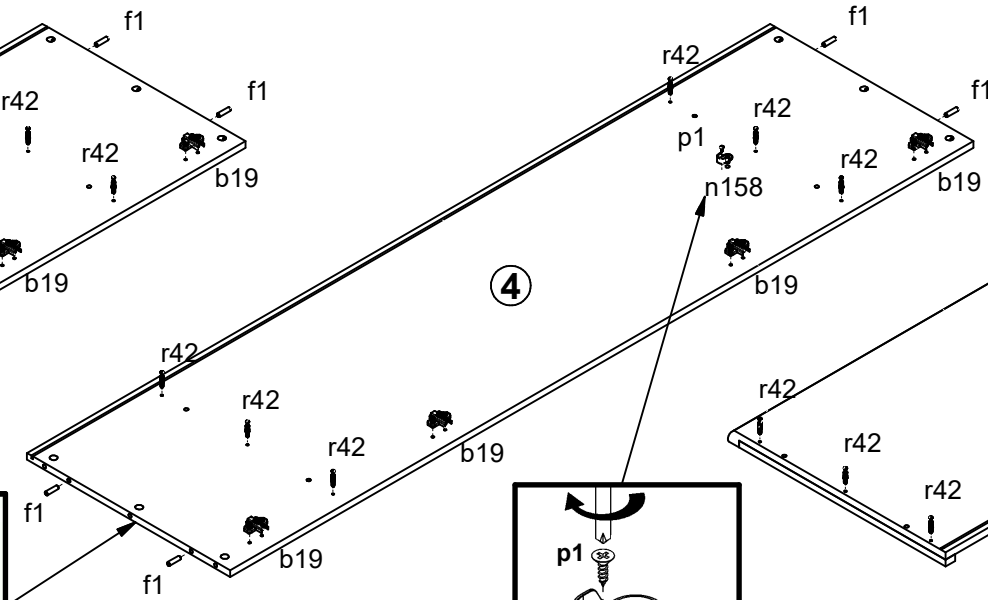
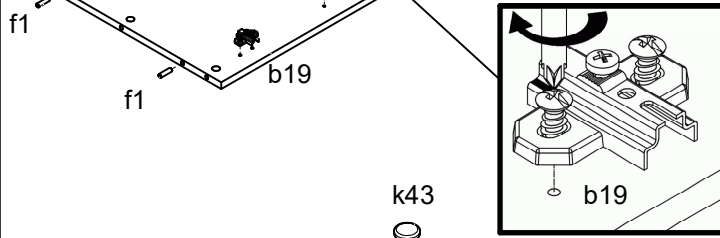
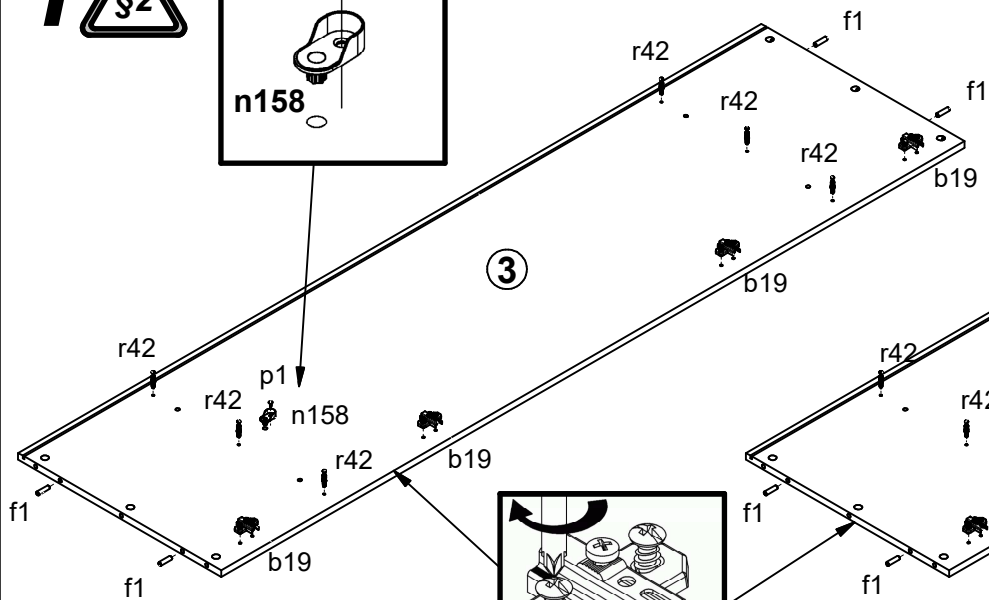
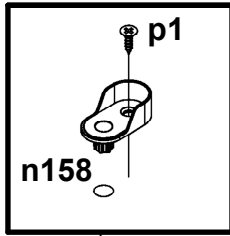


A	B	C (mm)			D
1	S331-0032	1940	461	19	3/3
2	S331-0033	1940	461	19	3/3
3	S331-1032	1946	532	15	1/3
4	S331-1033	1946	532	15	1/3
5	S331-2021	930	553	22	2/3
6	S331-2022	930	570	32	2/3
7	S331-3018	899	516	15	2/3
8	S331-9301	1956	910	2,5	1/3
9	dr-894x30	894	30	15	2/3

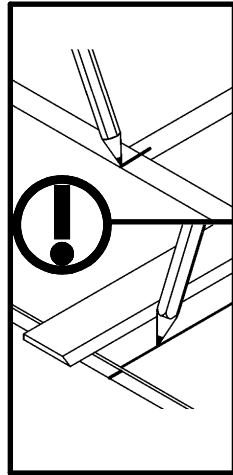


1

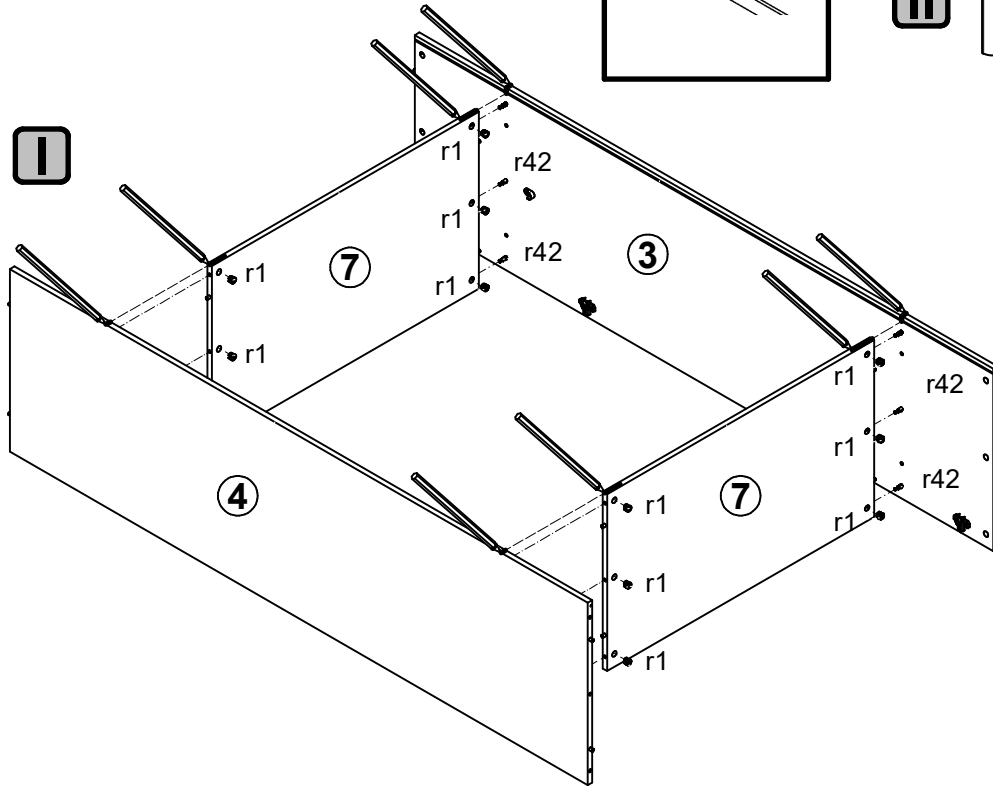


8x b19	16x Ø8x30 mm f1	4x Ø48x10 mm k43
2x n158	2x Ø3.5x13 mm p1	24x 20/11 r42

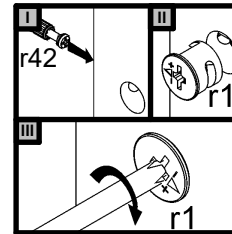
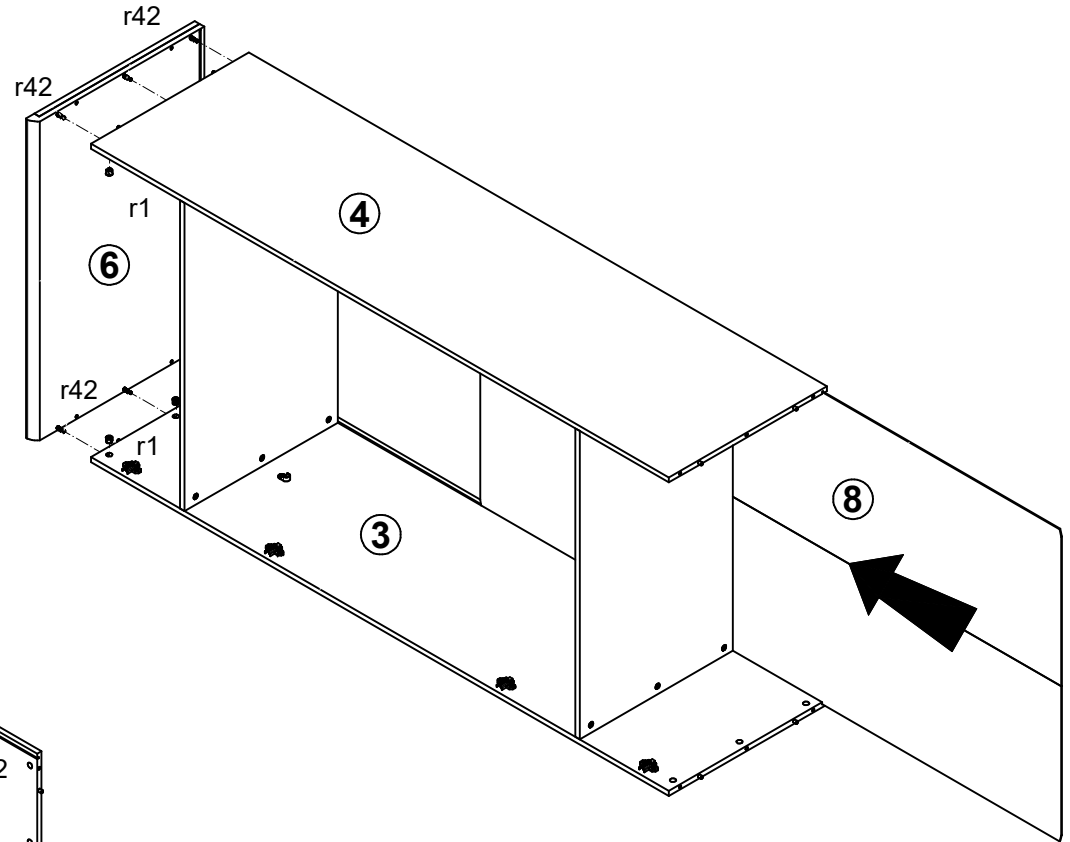
2 




I

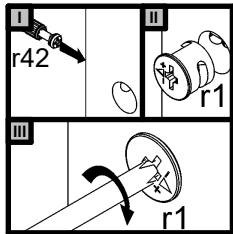
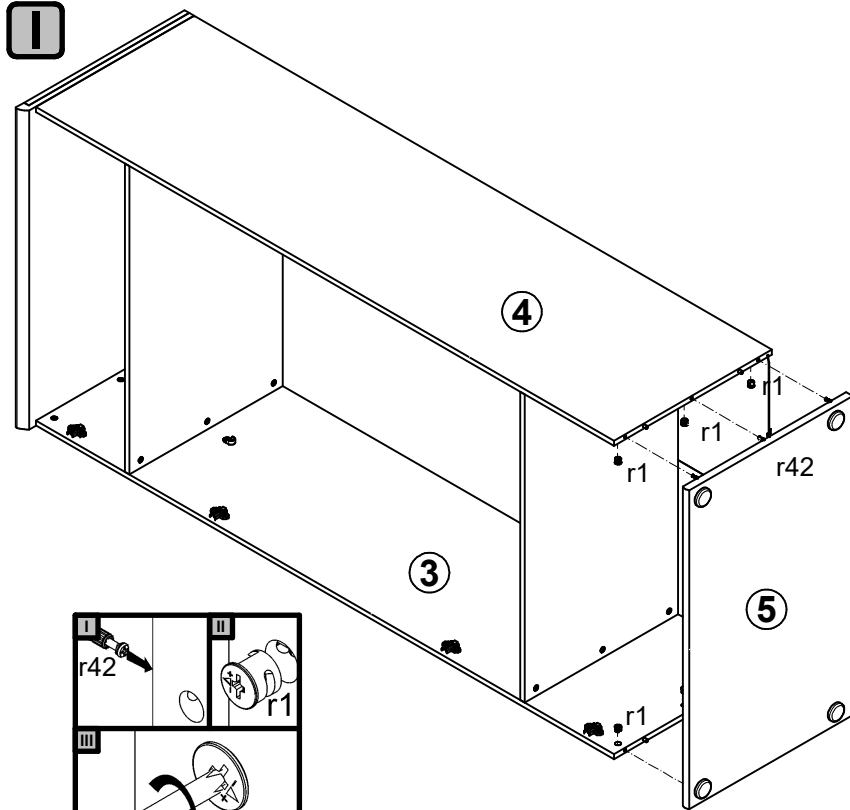


II

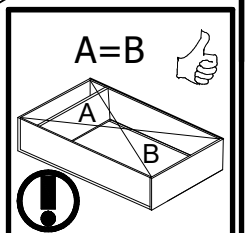
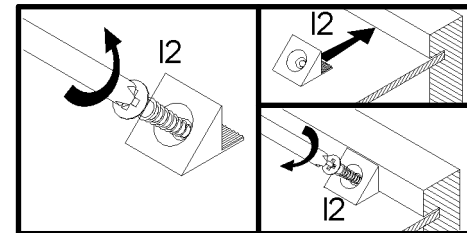
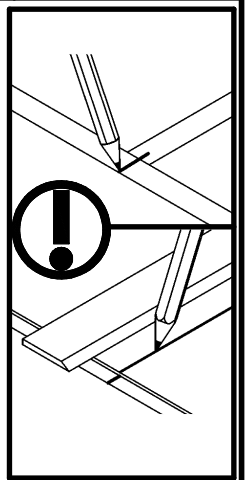
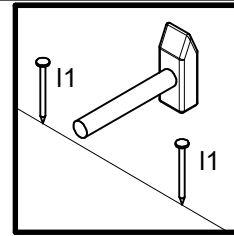
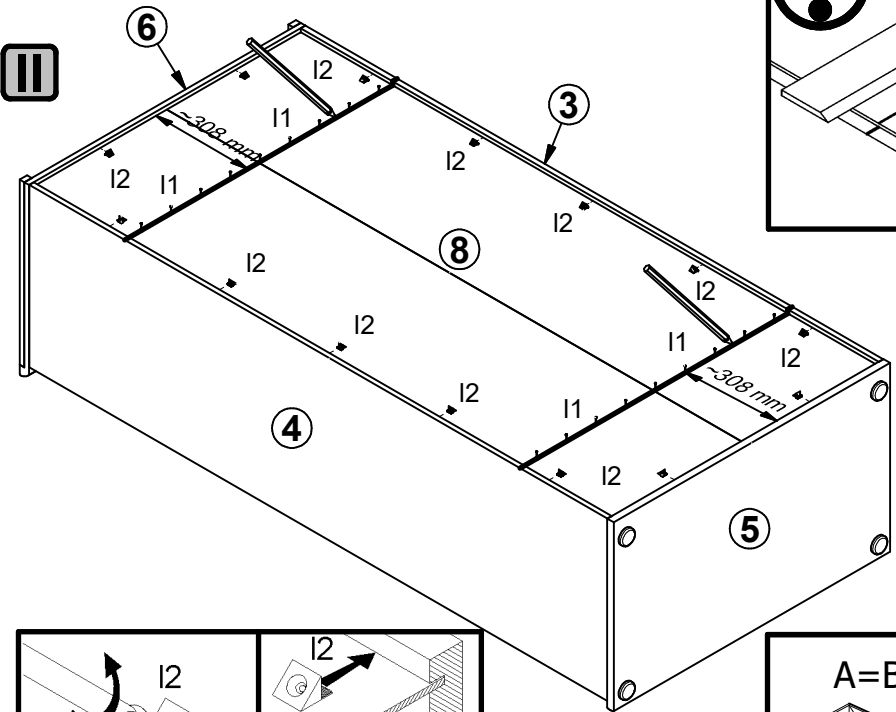



18x  r1
Ø15x12 mm #16

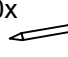
3




II

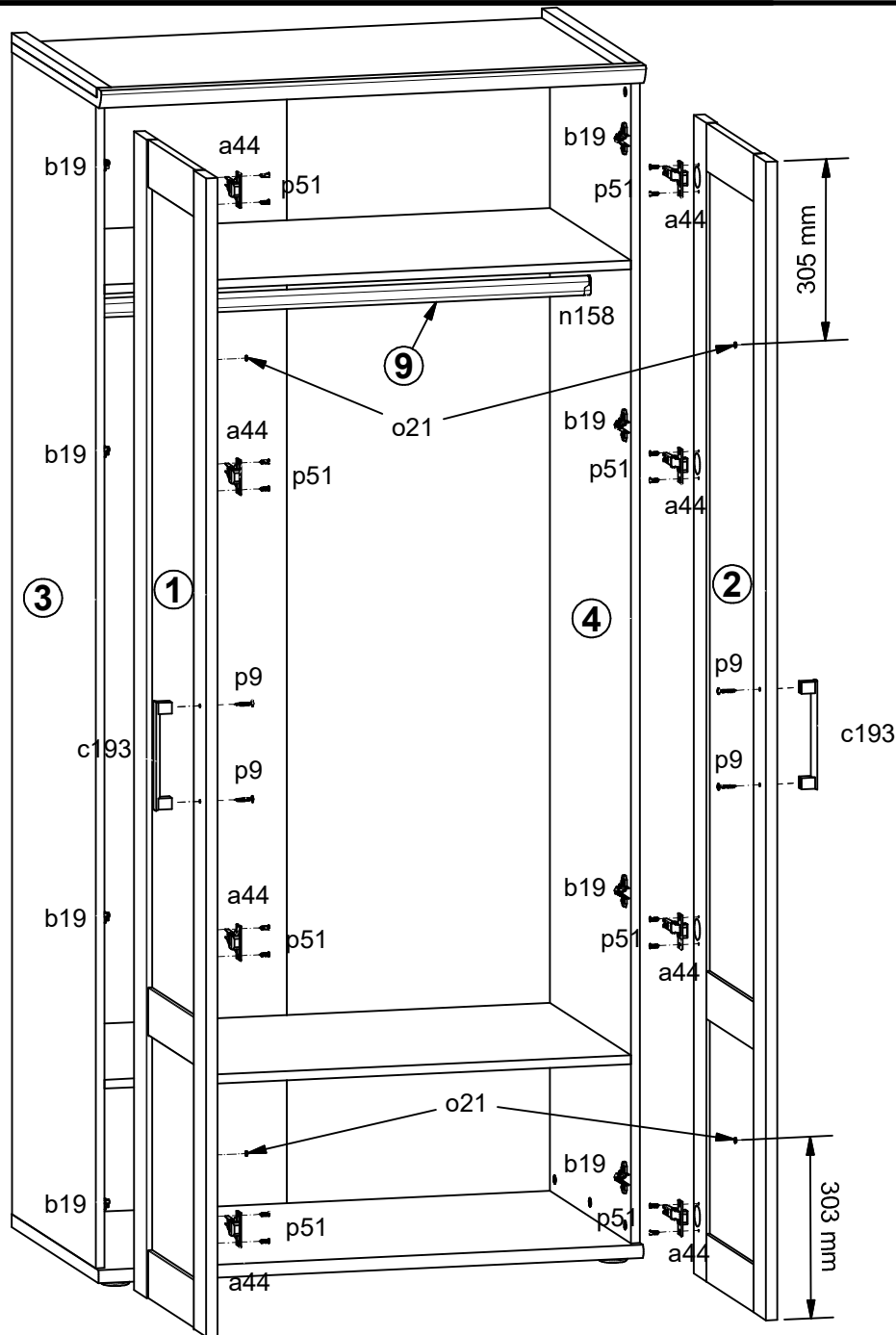


6x  r1
 Ø15x12 mm #16

20x  l1
 1,4x20 mm

14x  l2

4



8x a44	2x 160 mm c193	4x silikon o21	4x Ø4x30 mm p9
16x Ø3.5x15 mm p51	12x Ø16 s2	1x n26\1	1x Ø3.5x16 mm p38

