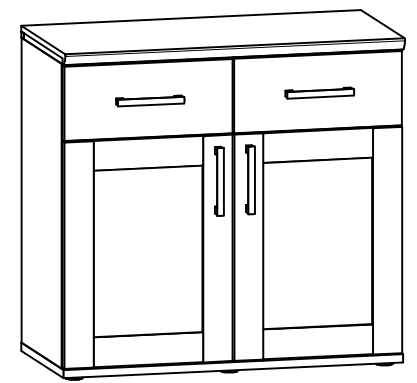
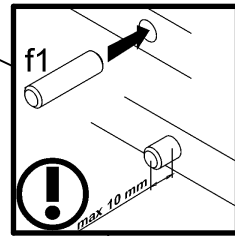
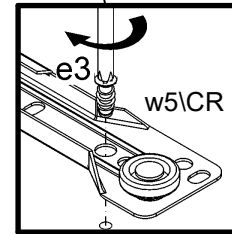
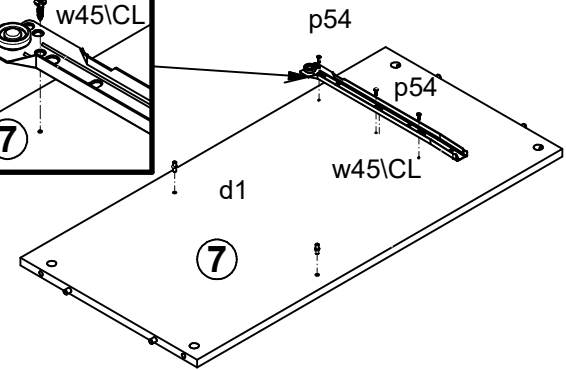
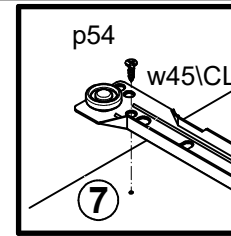
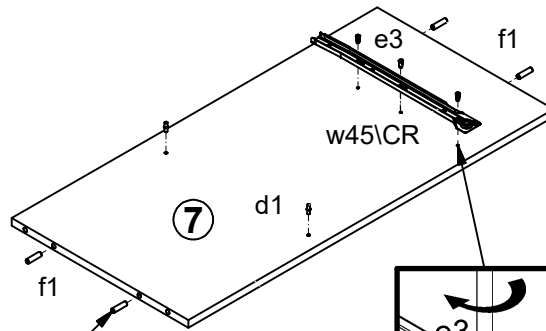
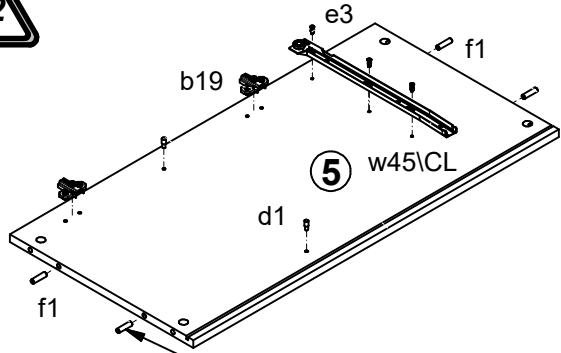


A	B	C (mm)		D
1	S331-009	460	200	1/1
2	S331-010	460	200	1/1
3	S331-011	608	460	1/1
4	S331-012	608	460	1/1
5	S331-110	820	412	1/1
6	S331-111	820	412	1/1
7	S331-112	820	396	1/1
8	S331-209	930	450	1/1
9	S331-210	930	433	1/1
10	S331-309	441	390	1/1
11	S331-909	830	454	1/1
12	S331-911	415	355	1/1
13	ZS3-5641	393	140	1/1
14	ZS4-531	350	140	1/1
15	ZS4-532	350	140	1/1

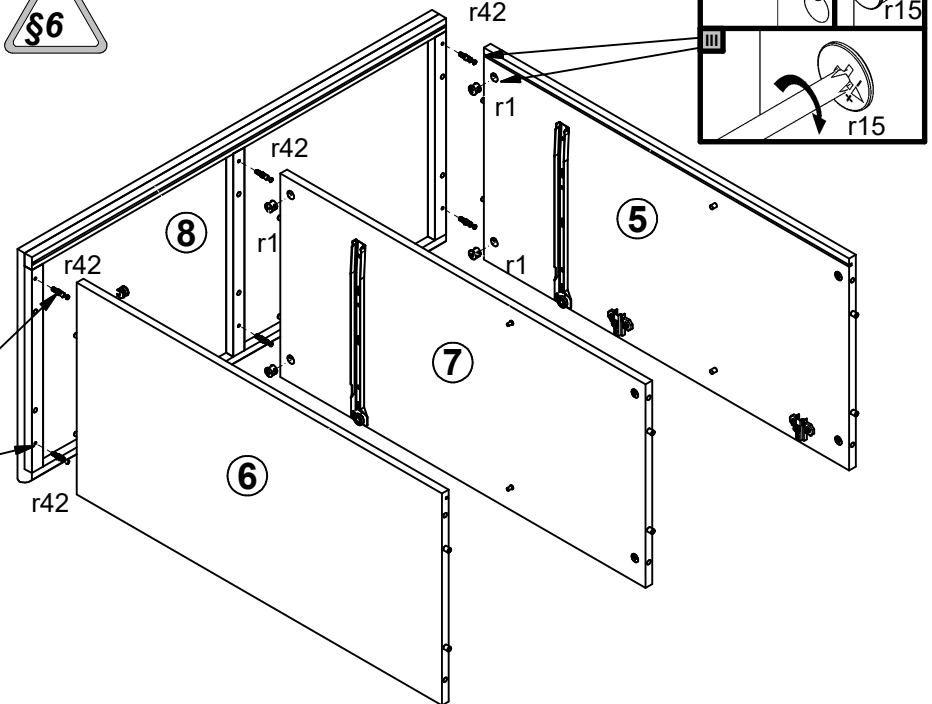
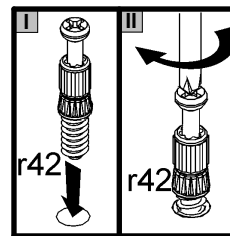
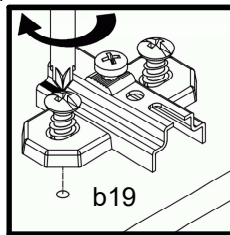
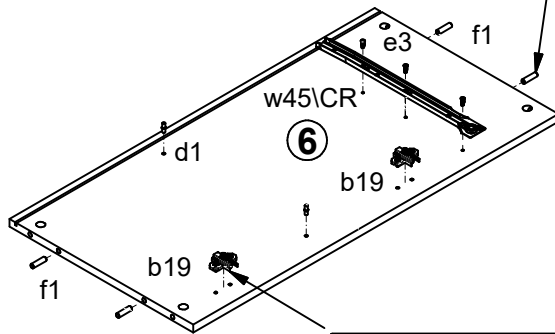


4x a44	4x b19	4x c193 160 mm	8x d1 Ø5x17 mm	8x e19 Ø5x9 mm	9x e3 Ø6x13 mm	12x f1 Ø8x30 mm	8x f25 Ø6.5x40 mm	4x f9 Ø6x30 mm	5x k43	20x l1	16x l2	4x o21 silikon
8x p38 Ø3.5x16 mm	8x p51 Ø3.5x15 mm	3x p54 Ø3x12 mm	8x p9 Ø4x30 mm	12x r1 Ø15x12 mm #16	8x r15 Ø12x10.5 mm #12	20x r42	2x w45\CL 350 mm	2x w45\CR 350 mm	2x w45\DL 350 mm	2x w45\DR 350 mm	9x s2 Ø16	

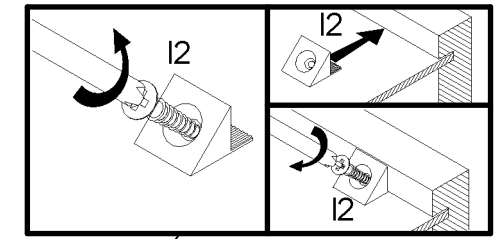
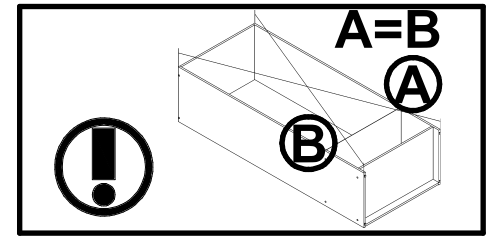
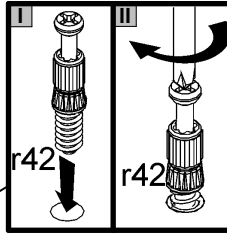
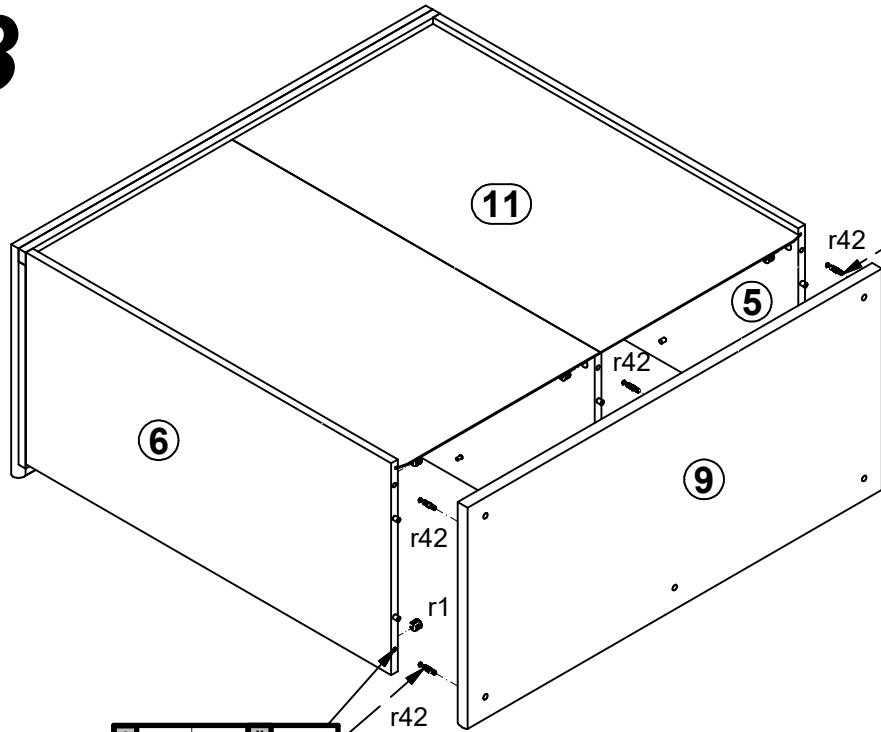
1 



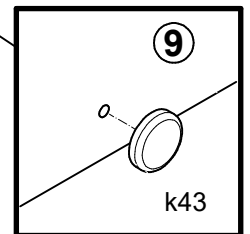
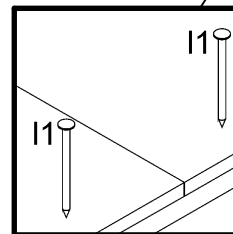
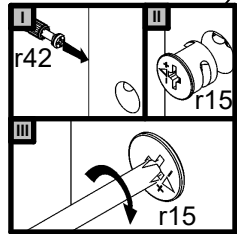
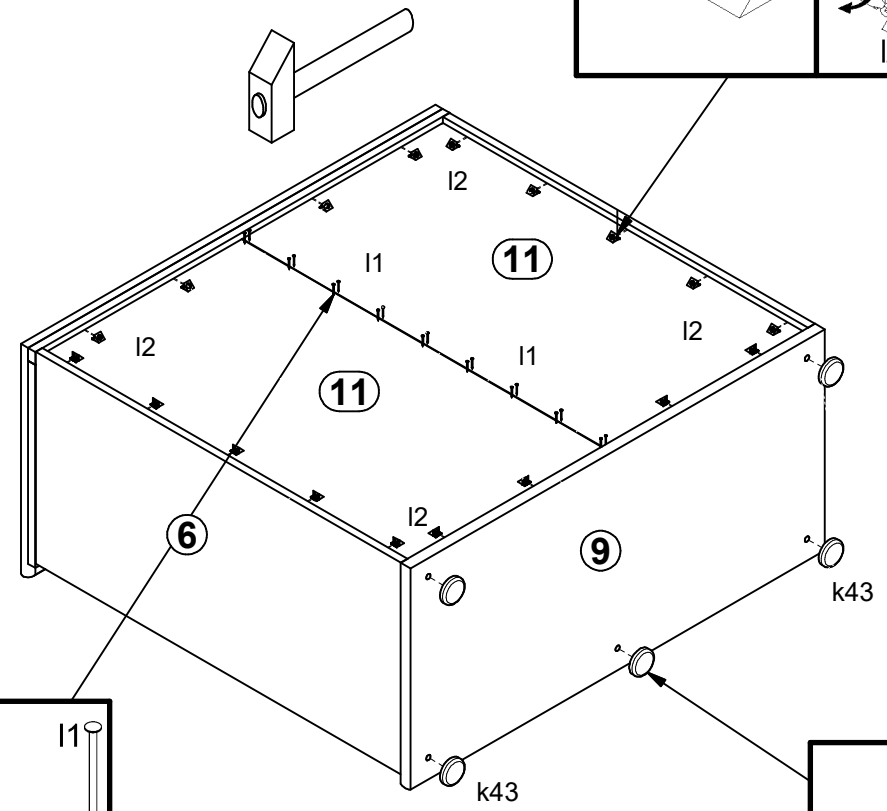
2 



3

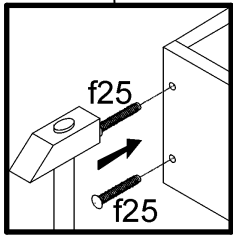
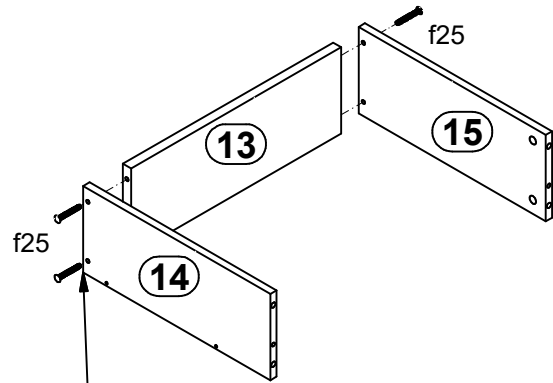


4

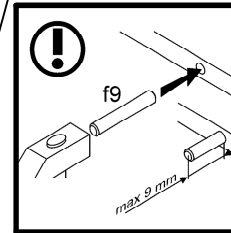
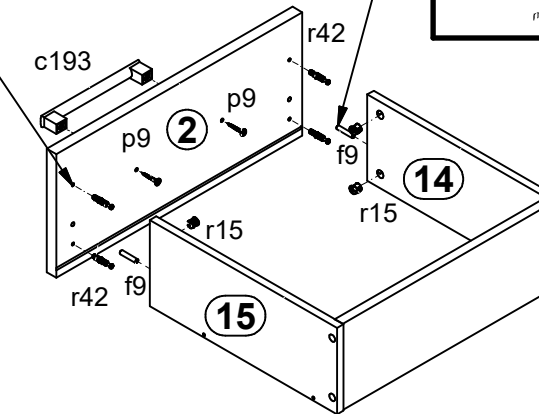
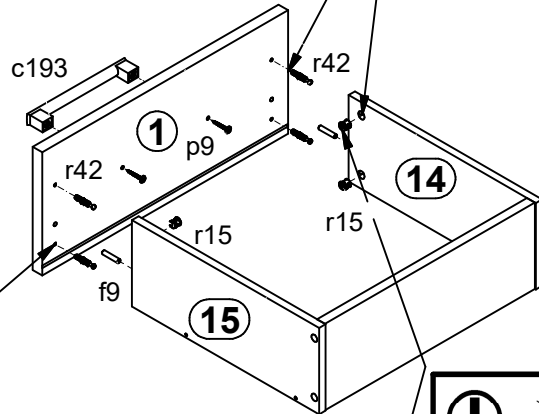
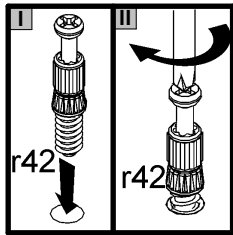
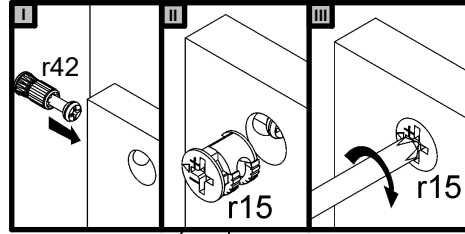


5

I



II



III

