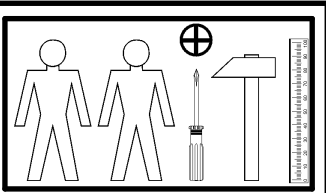
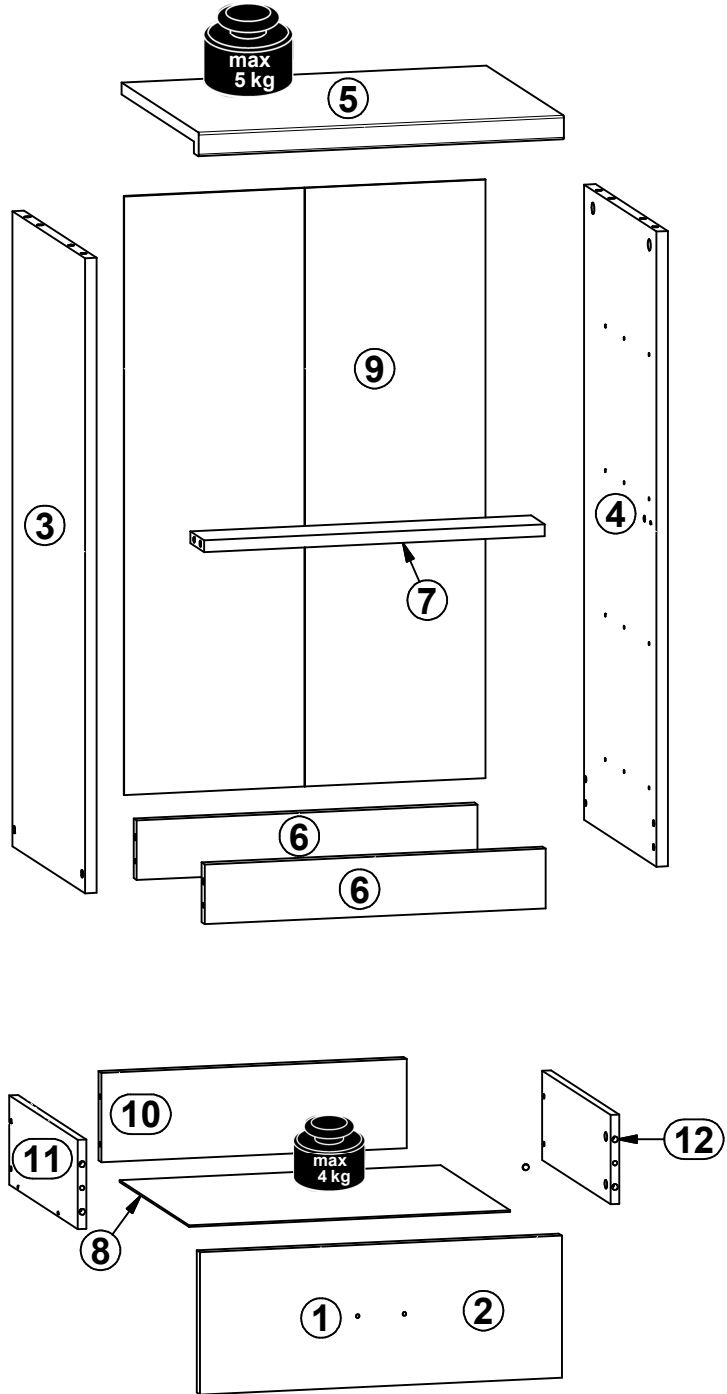
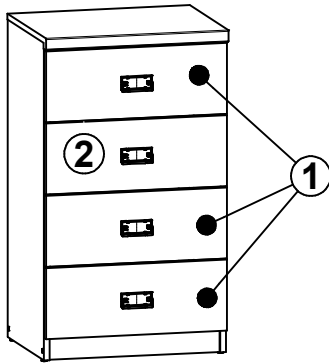


**A**

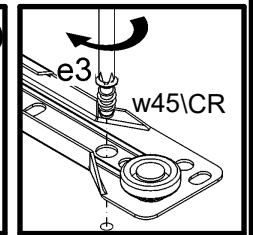
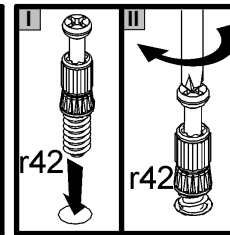
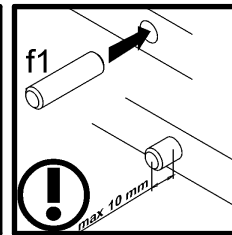
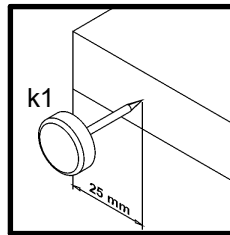
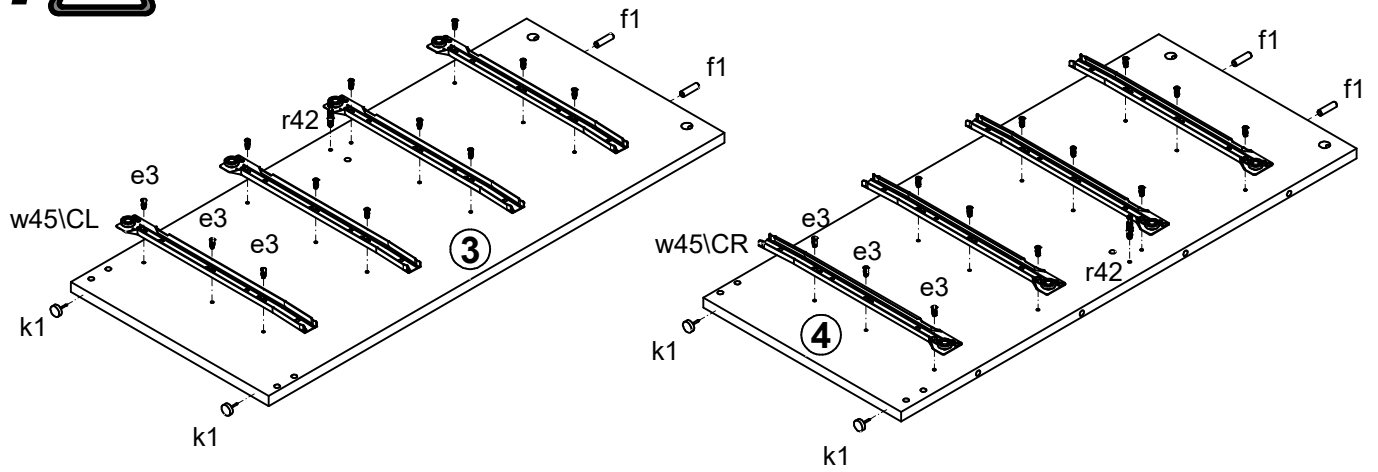
# MALCOLM 38-362 S325-KOM4s/50

A	B	C	D
1	S325-011	496	191
2	S325-029	496	191
3	S325-114	853	370
4	S325-115	853	370
5	S325-207	500	395
6	S325-408	467	80
7	S325-409	467	70
8	S325-911	440	355
9	S325-913	804	495
10	ZS3-5561	418	120
11	ZS4-501	350	120
12	ZS4-502	350	120

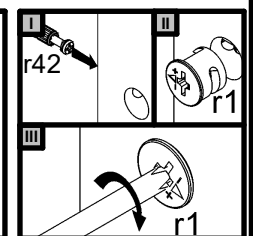
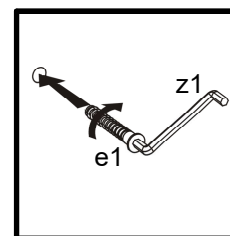
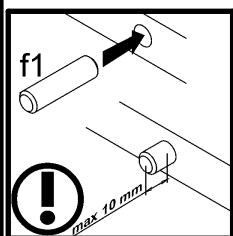
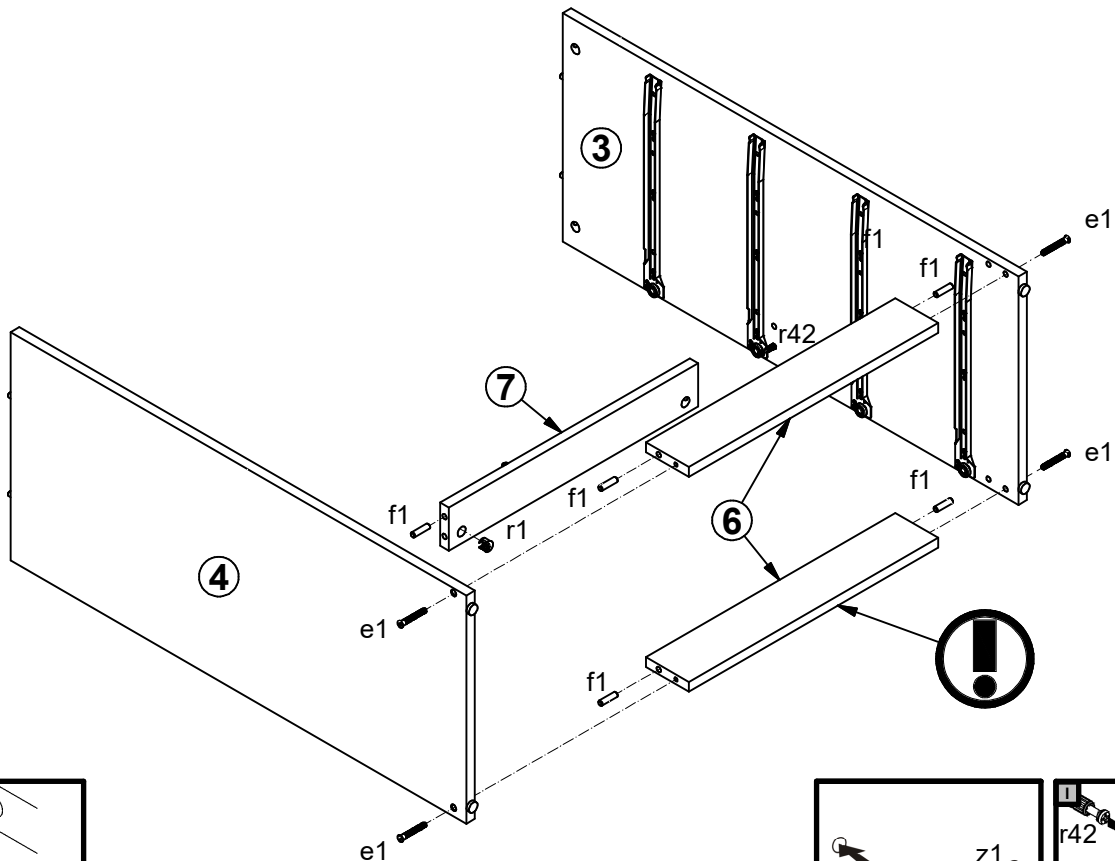


4x 64 mm <b>c417</b>	4x Ø7x50 mm <b>e1</b>	24x Ø6x13 mm <b>e3</b>	16x Ø5x9 mm <b>e19</b>	10x Ø8x30 mm <b>f1</b>	8x Ø6x30 mm <b>f9</b>	16x Ø6,5x40 mm <b>f25</b>	8x M4x22 mm <b>j30</b>	4x <b>k1</b>
25x <b>l1</b>	1x <b>n26</b>	8x silikon <b>o21</b>	21x Ø3,5x16 mm <b>p38</b>	6x Ø15x12 mm #16 <b>r1</b>	16x Ø12x10,5 mm #12 <b>r15</b>	22x 20/11 <b>r42</b>	4x <b>s1</b>	2x Ø16 <b>s2</b>
4x 350 mm <b>w45\CL</b>	4x 350 mm <b>w45\CR</b>	4x 350 mm <b>w45\DL</b>	4x 350 mm <b>w45\DR</b>	1x <b>z1</b>				

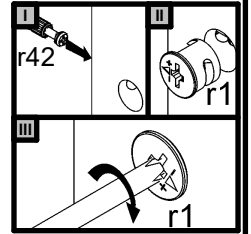
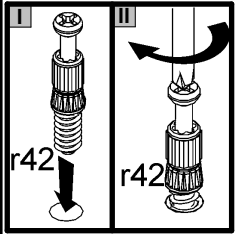
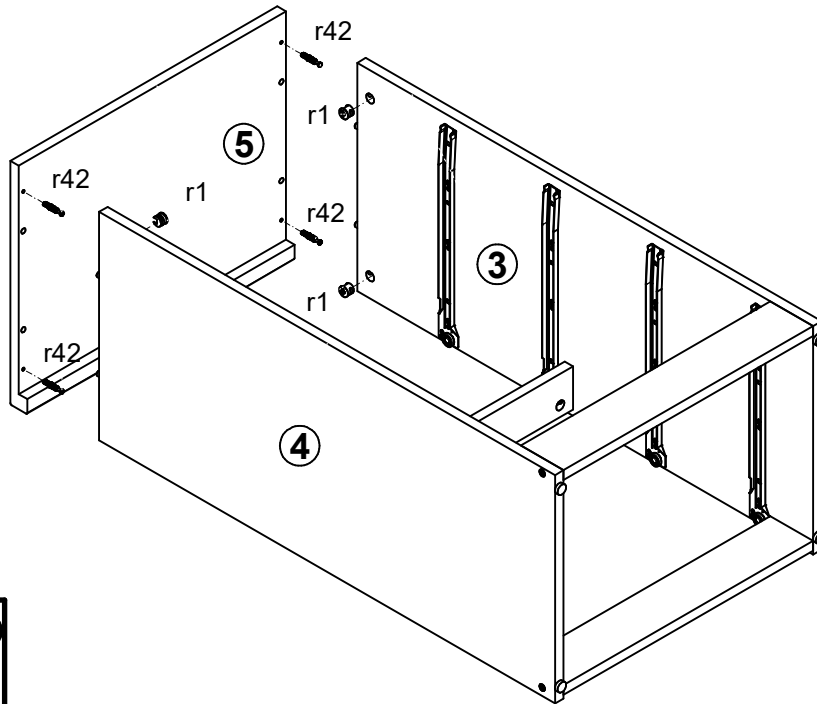
# 1



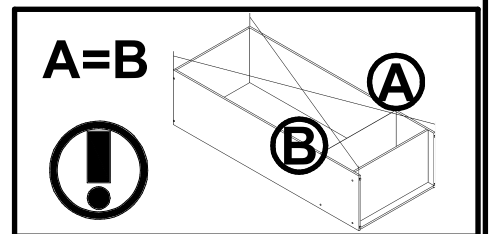
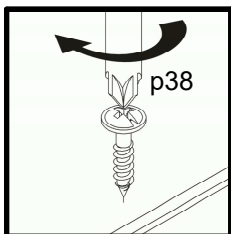
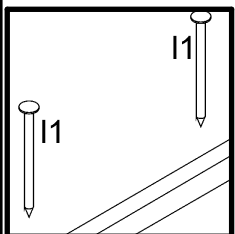
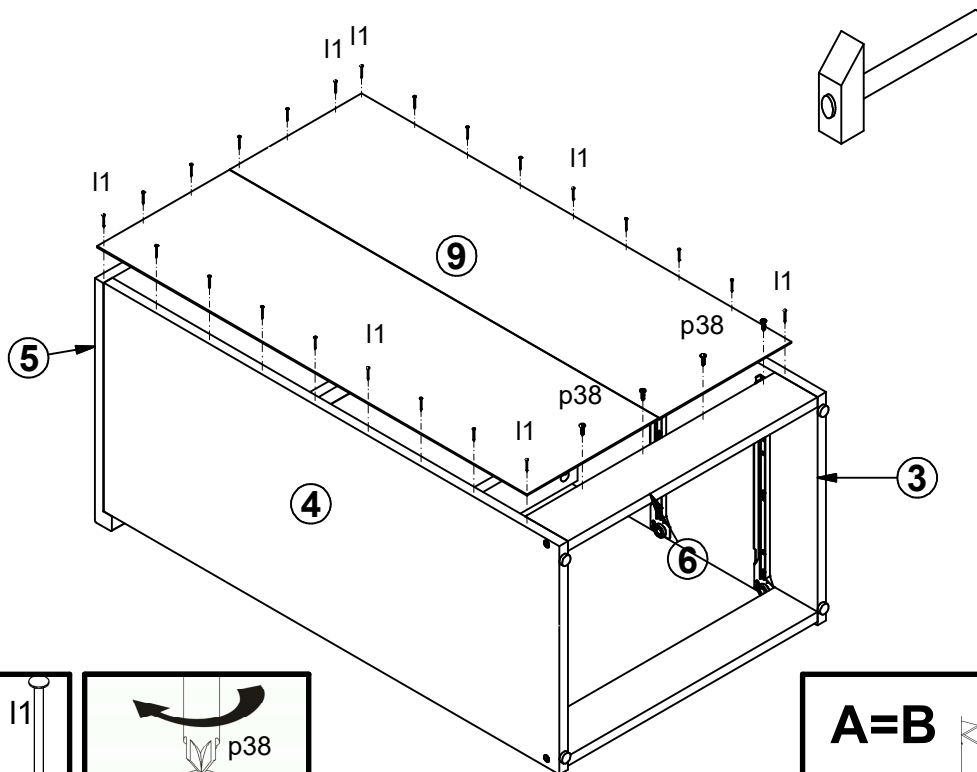
# 2



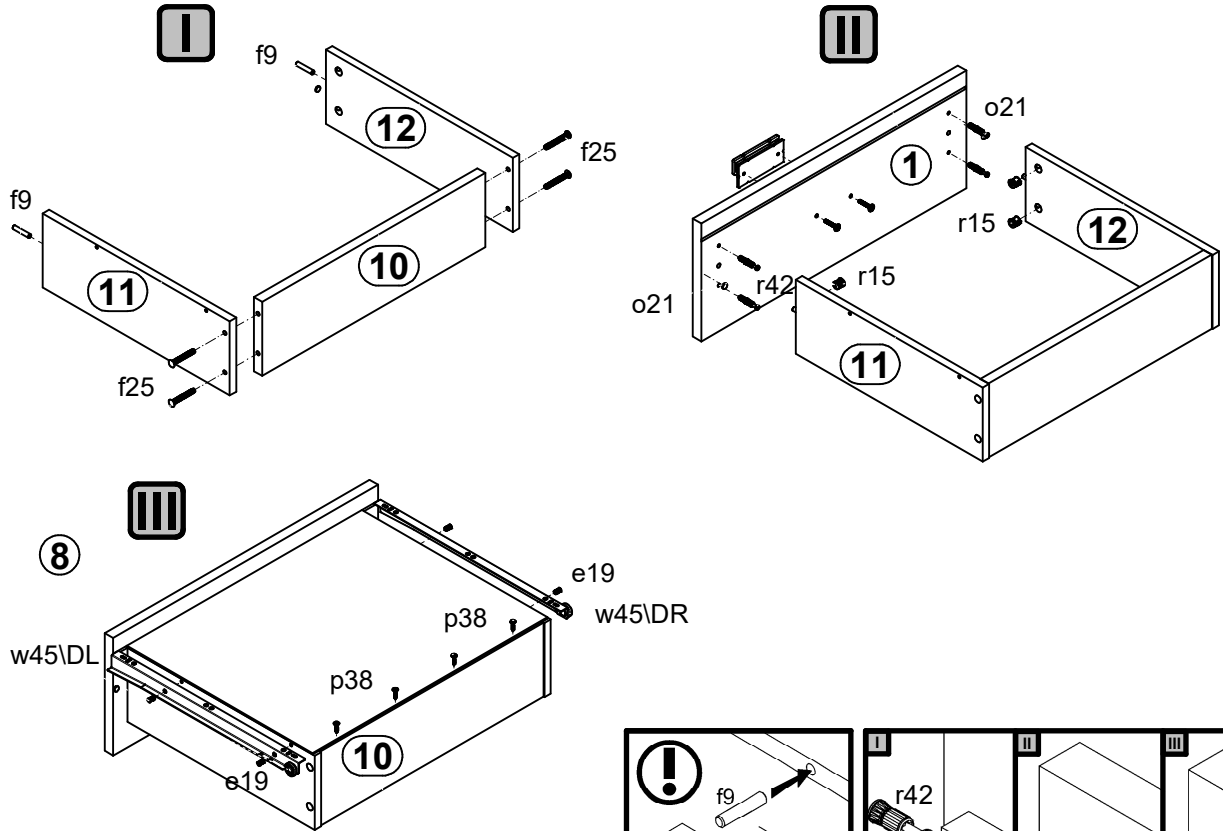
# 3



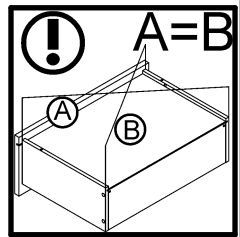
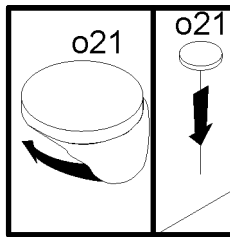
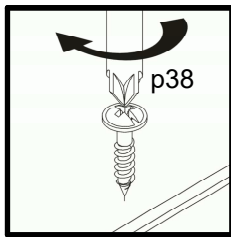
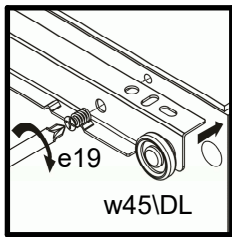
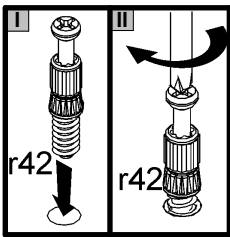
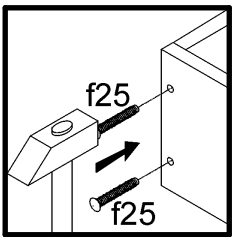
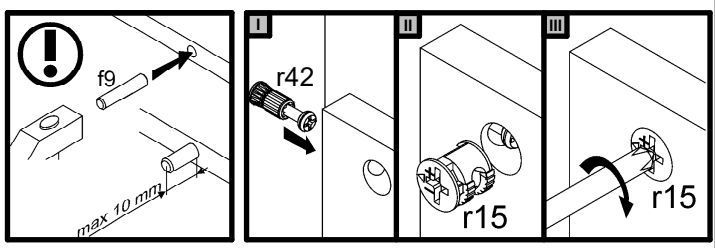
# 4



# 5



8



# 6

