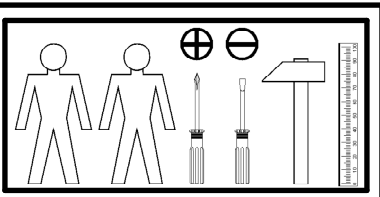
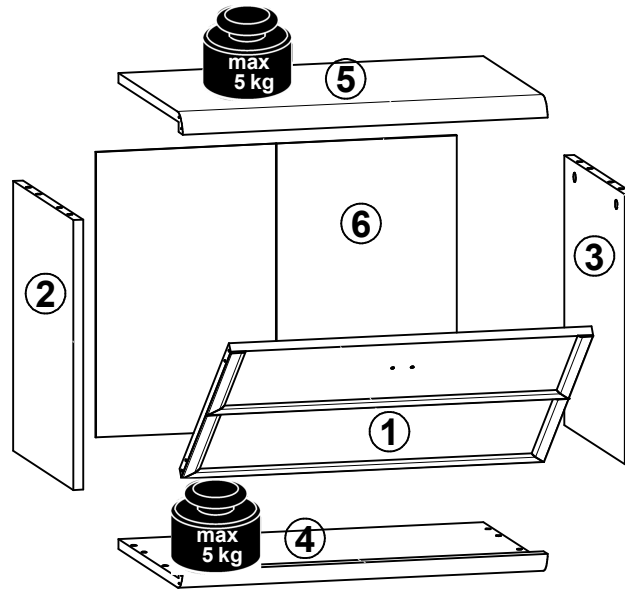
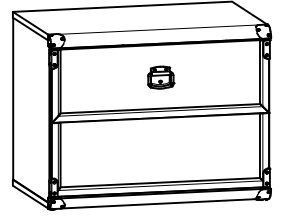
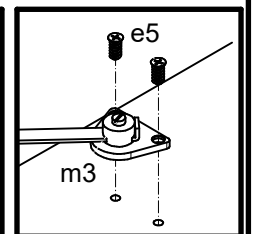
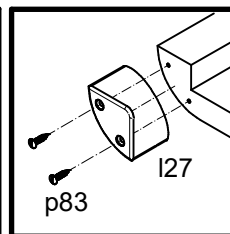
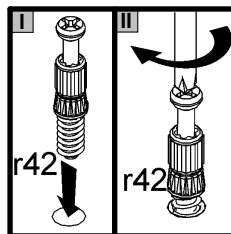
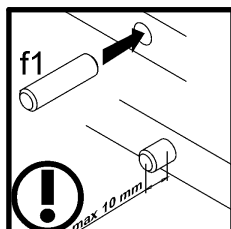
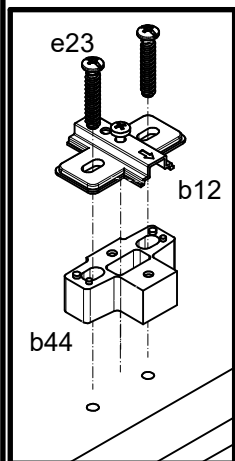
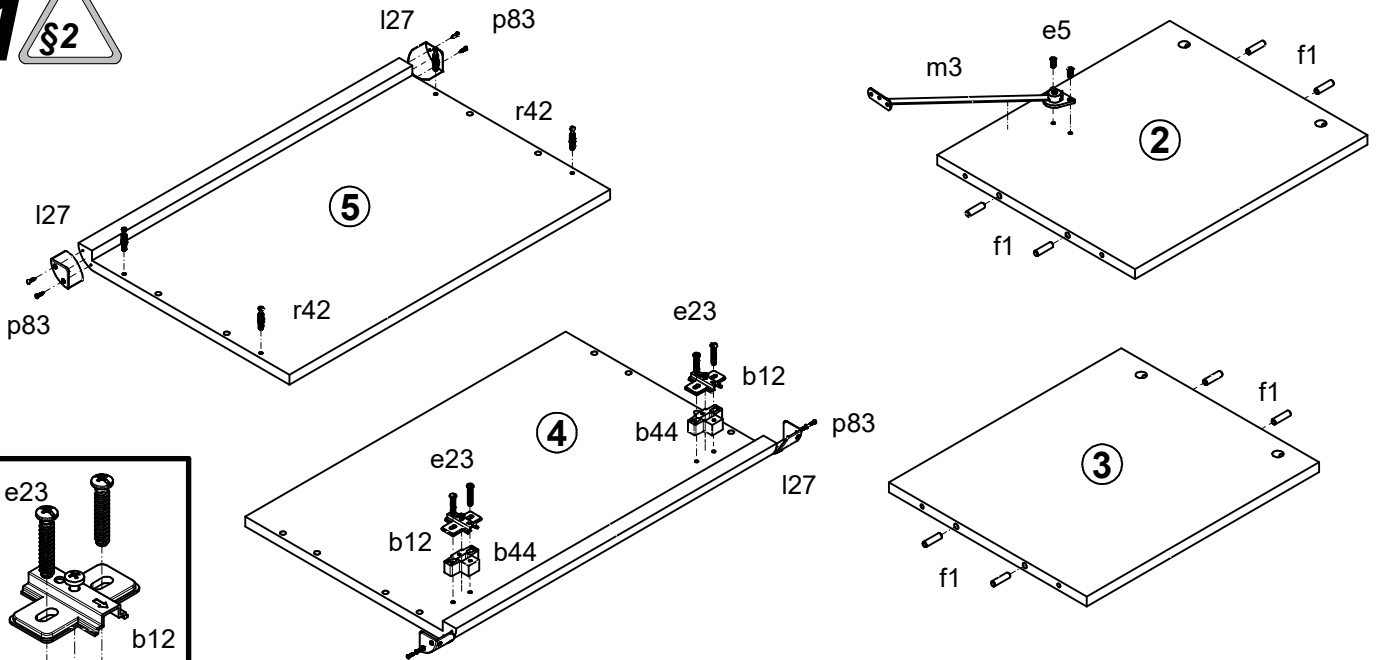


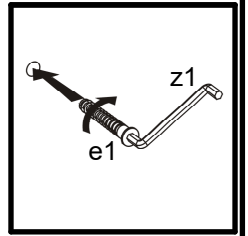
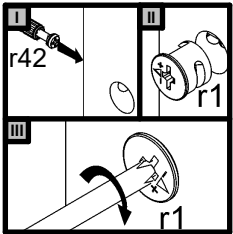
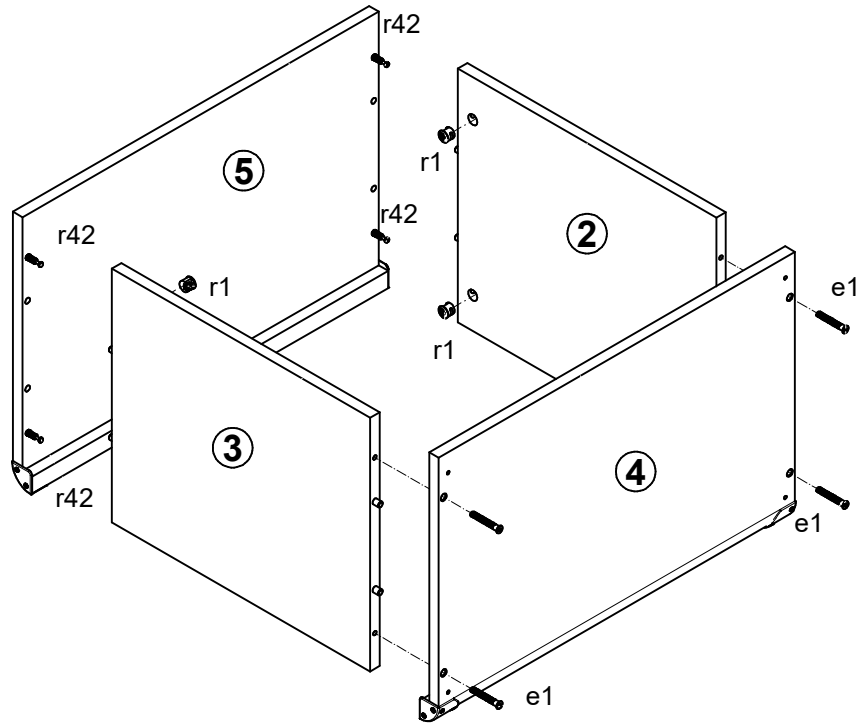
A	B	C	D
1	S31-031	596	395
2	S31-152	435	370
3	S31-153	435	370
4	S31-210	600	395
5	S31-212	600	395
6	S31-907	460	593



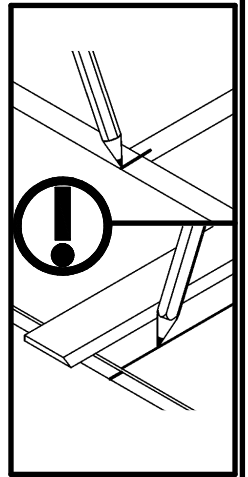
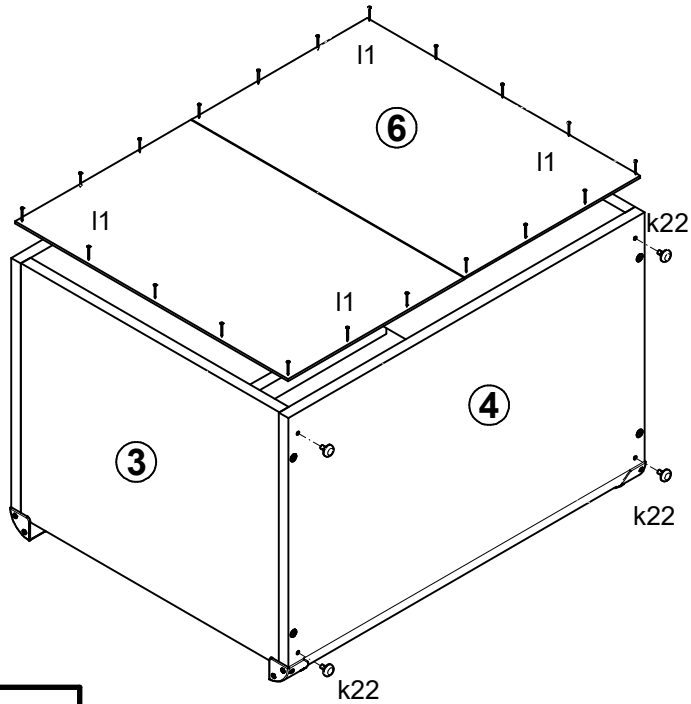
2x k16 a1	2x b12	2x b=17 mm b44	1x c158	4x Ø7x50 mm e1	4x Ø6.3x30 mm e23	2x Ø6.3x13 mm e5	8x Ø8x30 mm f1	2x M4x22 mm j30
4x Ø15 k22	25x l1	4x l27	1x L=236 mm m3	3x Ø3.5x13 mm p1	16x Ø3x12 mm p83	4x Ø15x12 mm #16 r1	4x 20/11 r42	2x l28L
2x l28P	4x Ø16 s2	1x 4 mm z1						



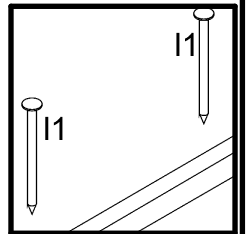
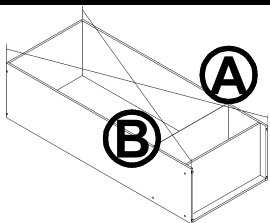
2



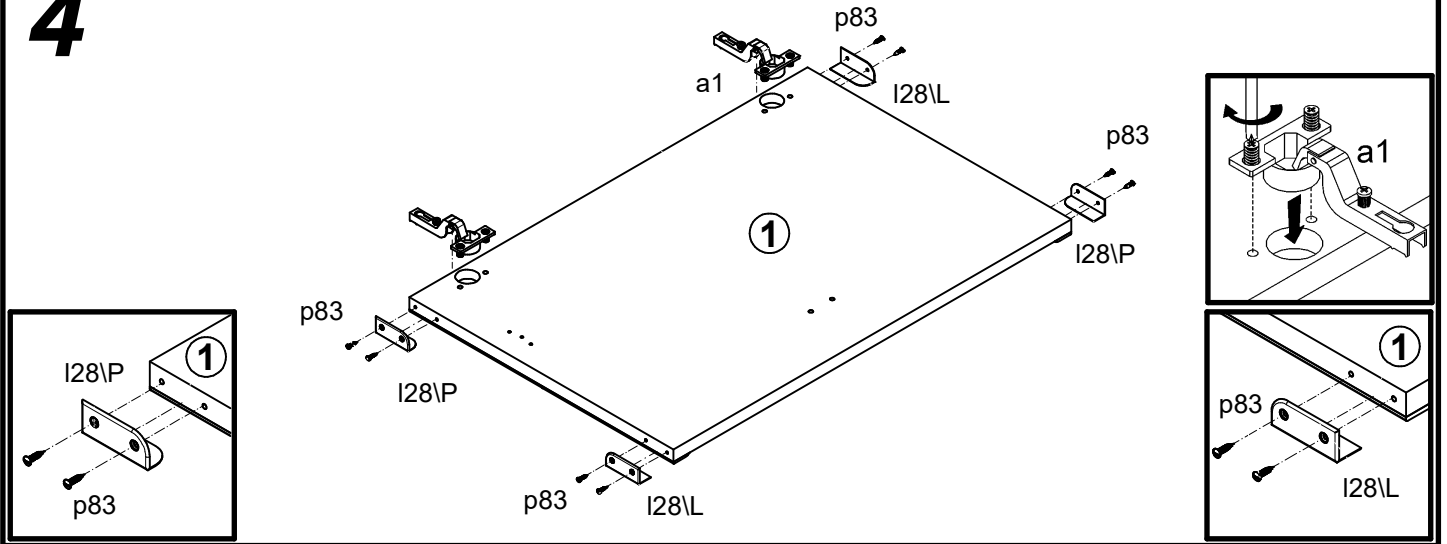
3



A=B



4



5

