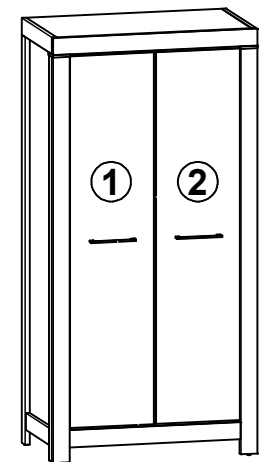
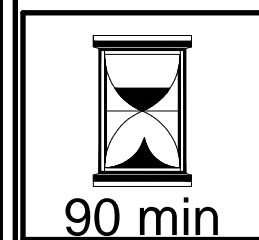


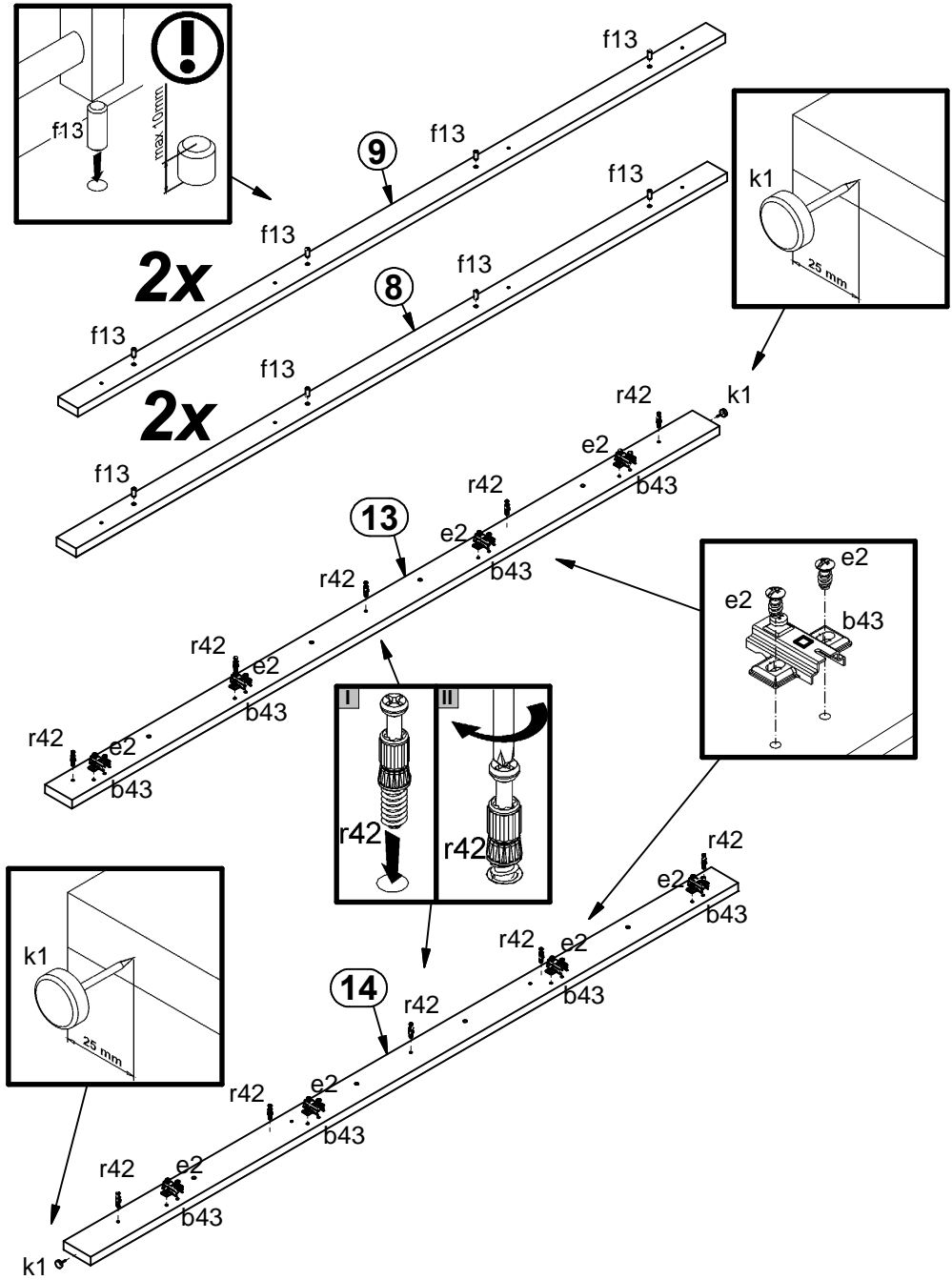
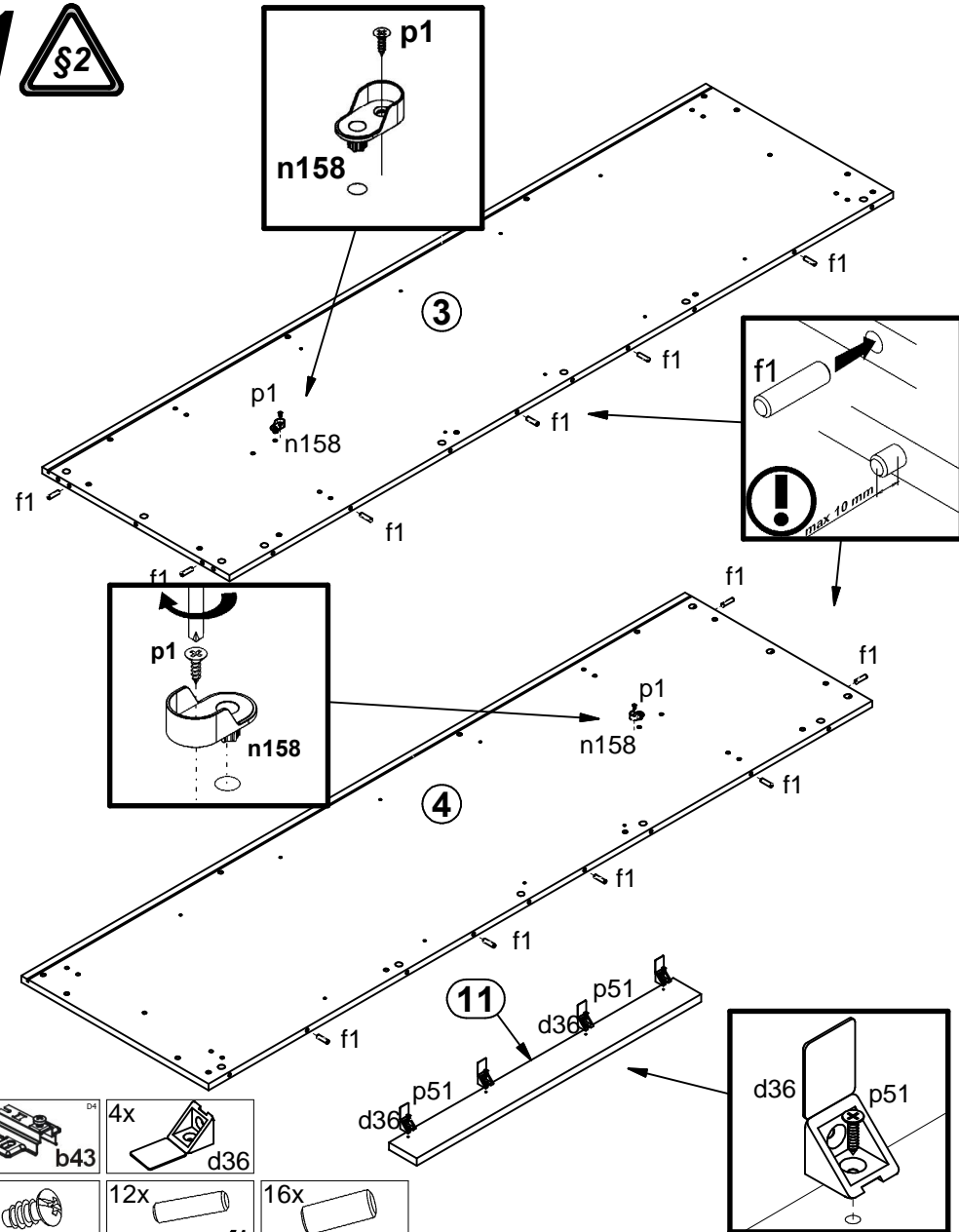
A	B	C (mm)		D
1	S228-016	1750	402	3/3
2	S228-017	1750	402	3/3
3	S228-130	1914	540	1/3
4	S228-131	1914	540	1/3
5	S228-211	936	540	1/3
6	S228-330	904	520	1/3
7	S228-331	904	517	1/3
8	S228-5507	1920	58	2/3
9	S228-5509	1910	58	2/3
10	S228-5554	981	80	2/3
11	S228-5555	820	80	2/3
12	S228-5556	902	40	1/3
13	S228-5557	1910	80	2/3
14	S228-5558	1910	80	2/3
15	S228-5581	540	80	2/3
16	S228-5583	424	80	2/3
17	S228-582	1738	29	1/3
18	S228-9909	1840	913	1/3
19	dr-897x30	897	30	1/3

cm

8x a132	4x a133	8x b43	2x c280 \ 1 192 mm
4x d36	8x e1 Ø6,3x50 mm	16x e2 Ø6,3x13 mm	24x e22 Ø7x28 mm
2x k101	20x l1	14x l2	1x n14 \ 2 88x21x15 \ 1,5
10x p38 Ø3,5x16 mm	24x p51 Ø3,5x15 mm	4x p79 Ø3,5x20 mm	20x r1 Ø15x12 mm #16
26x f1 Ø8x30 mm	16x f13 Ø8x20 mm	1x f35 Ø10x50 mm	6x k1
2x n158	4x o21 silikon	2x p1 Ø3,5x13 mm	4x p8 Ø4x25 mm
2x n158	4x o21 silikon	2x p1 Ø3,5x13 mm	4x p8 Ø4x25 mm
20x r42 20/11	16x s1	12x s2 Ø16	1x z1
4x j30 M4x22 mm	1x p17 Ø5x60 mm		

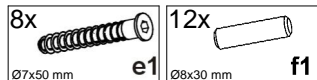
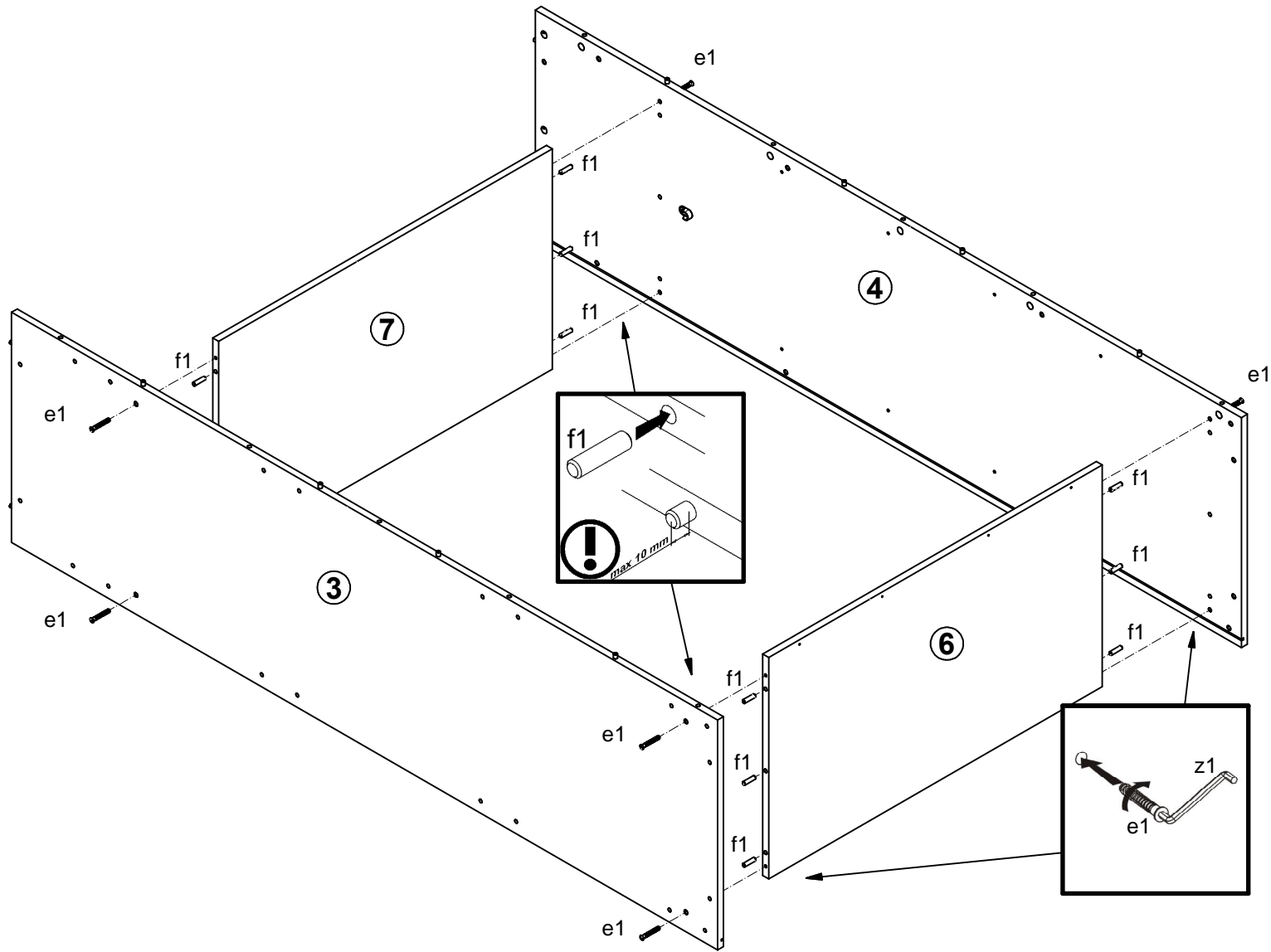


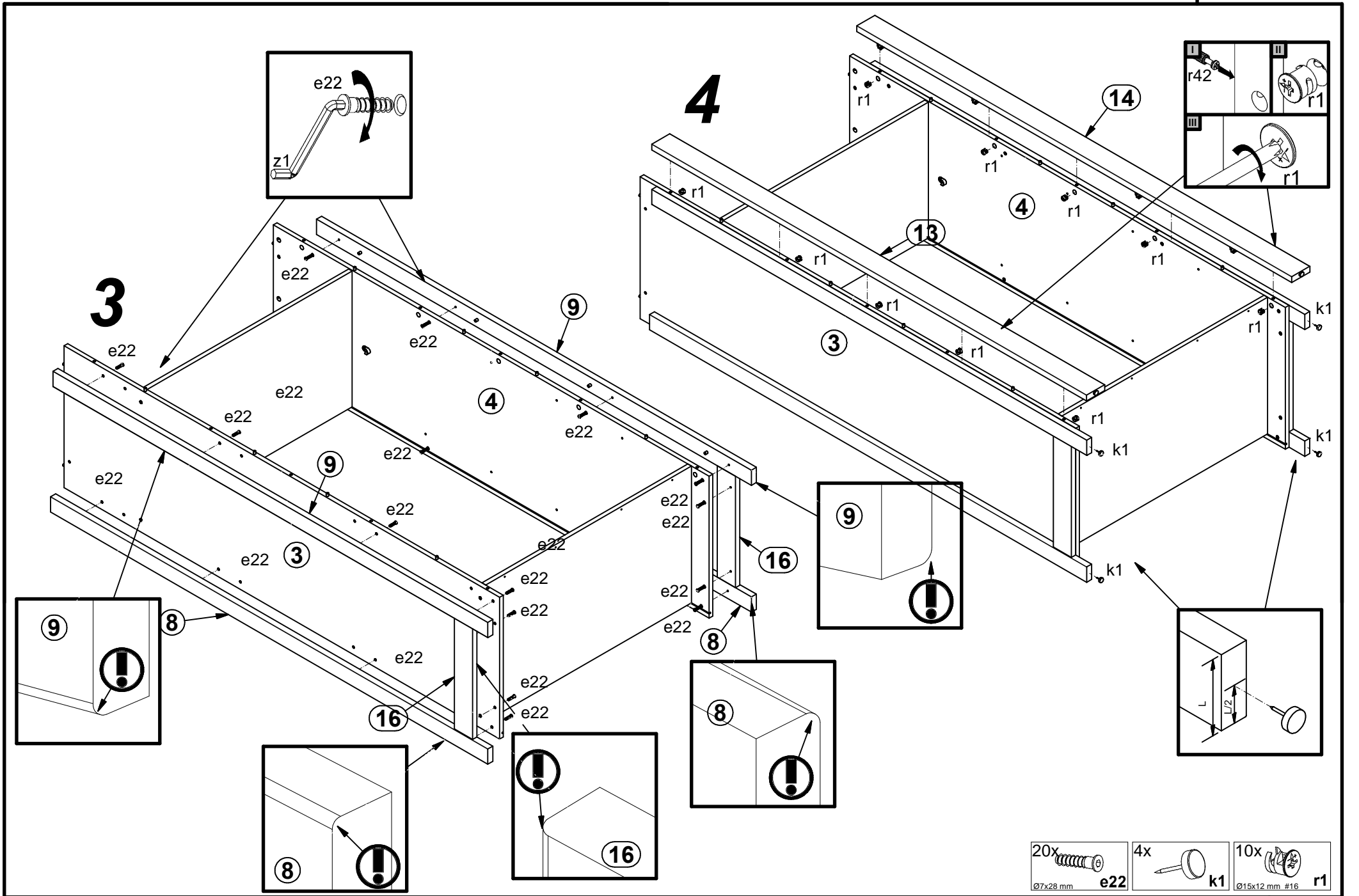
1



- | | | | |
|------------------------------|----------------------------|------------------------------|-------------------------------|
| 8x | 4x | | |
| 16x | 12x | 16x | |
| <small>Ø6,3x13 mm</small> e2 | <small>Ø8x30 mm</small> f1 | <small>Ø8x20 mm</small> f13 | |
| 2x | 2x | 2x | 4x |
| | | <small>Ø3,5x13 mm</small> p1 | <small>Ø3,5x15 mm</small> p51 |
| | | | 10x |
| | | | <small>20/11</small> r42 |

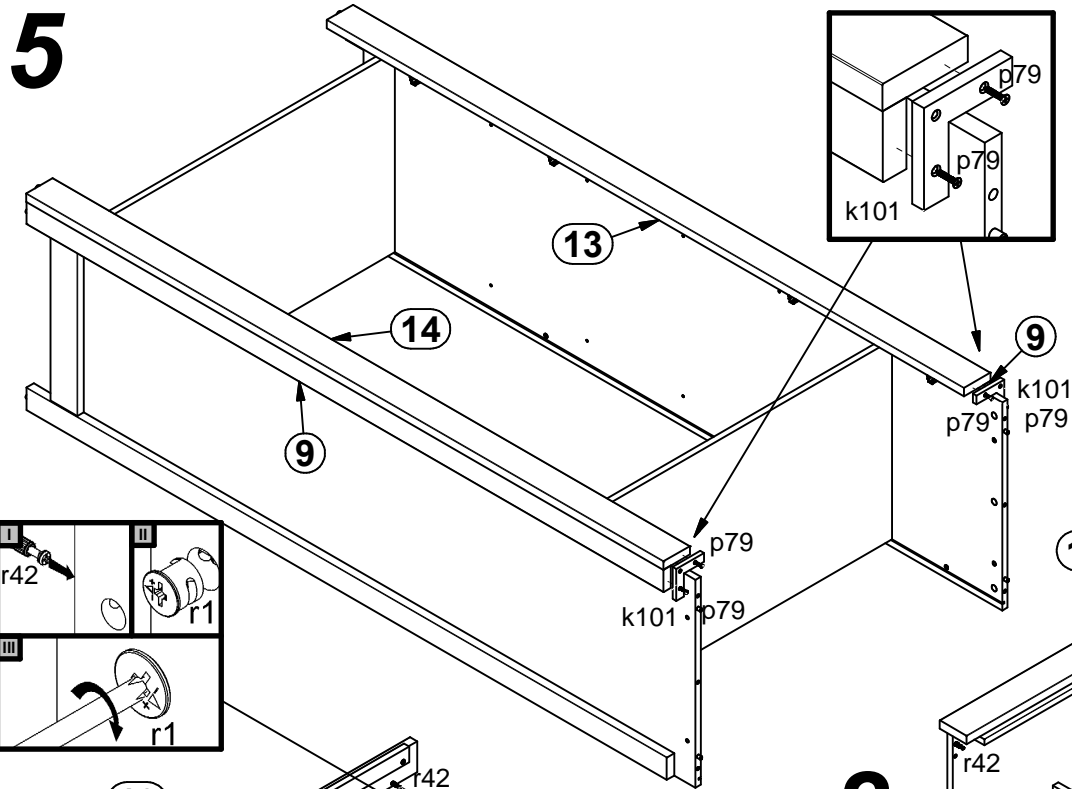
2 



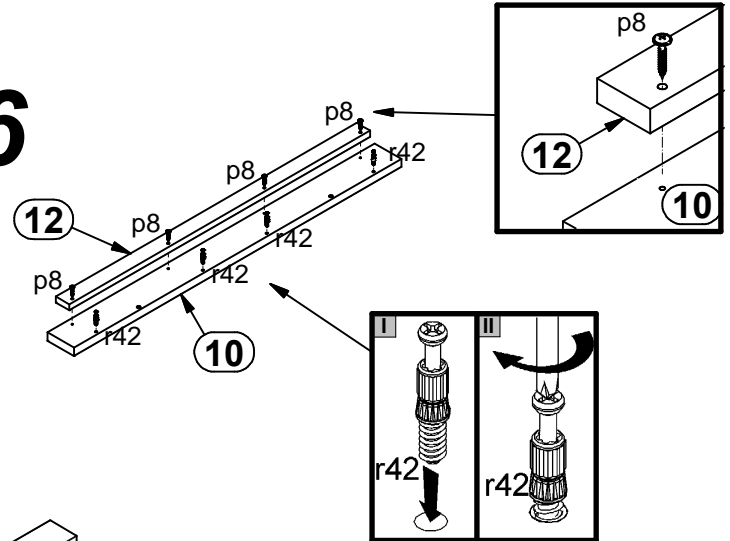


- 20x **e22** Ø7x28 mm
- 4x **k1**
- 10x **r1** Ø15x12 mm #16

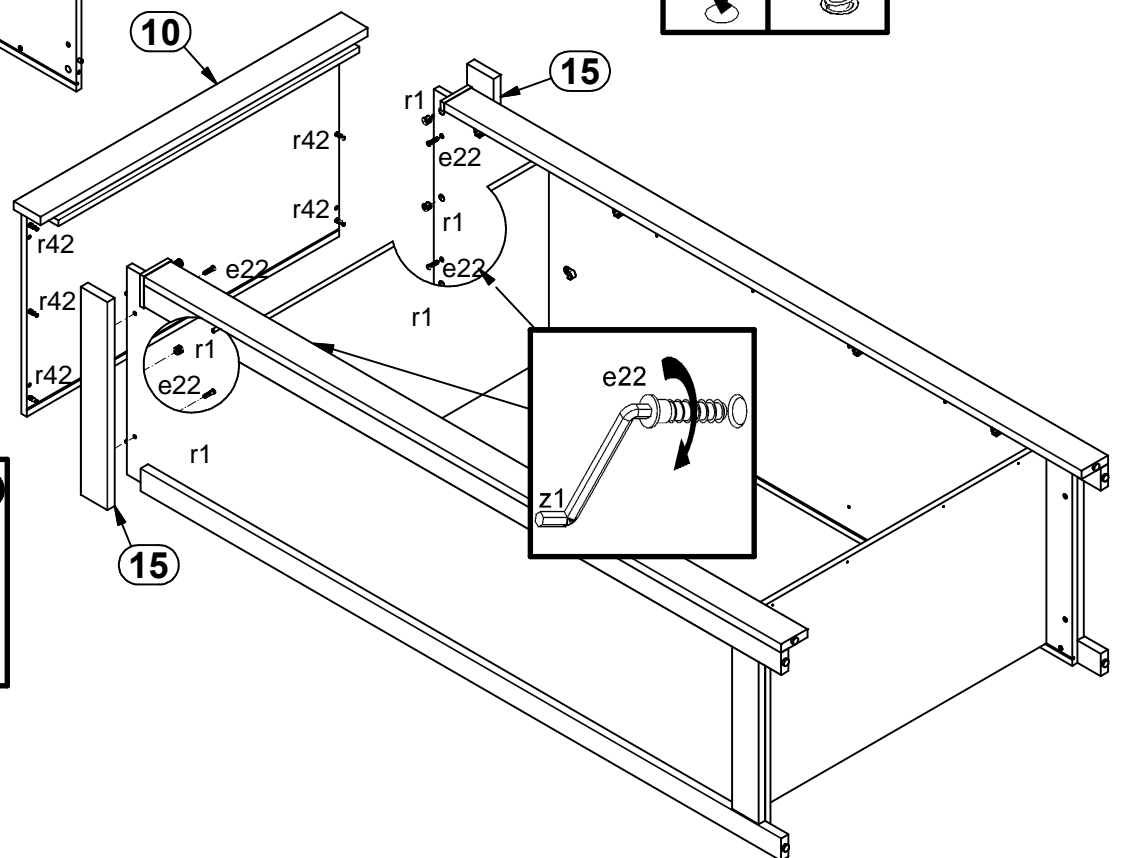
5



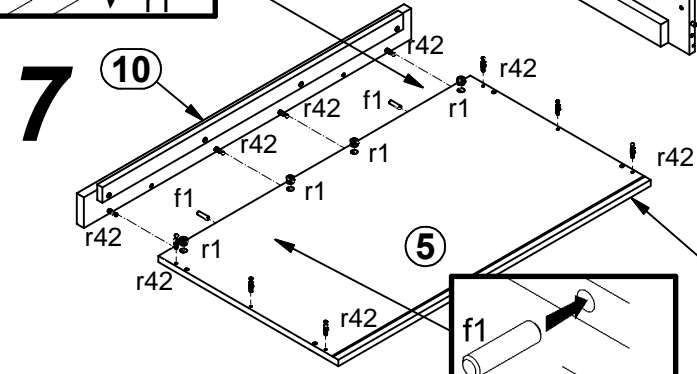
6



8

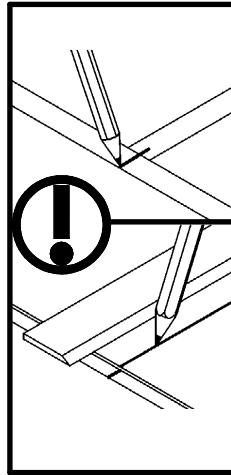
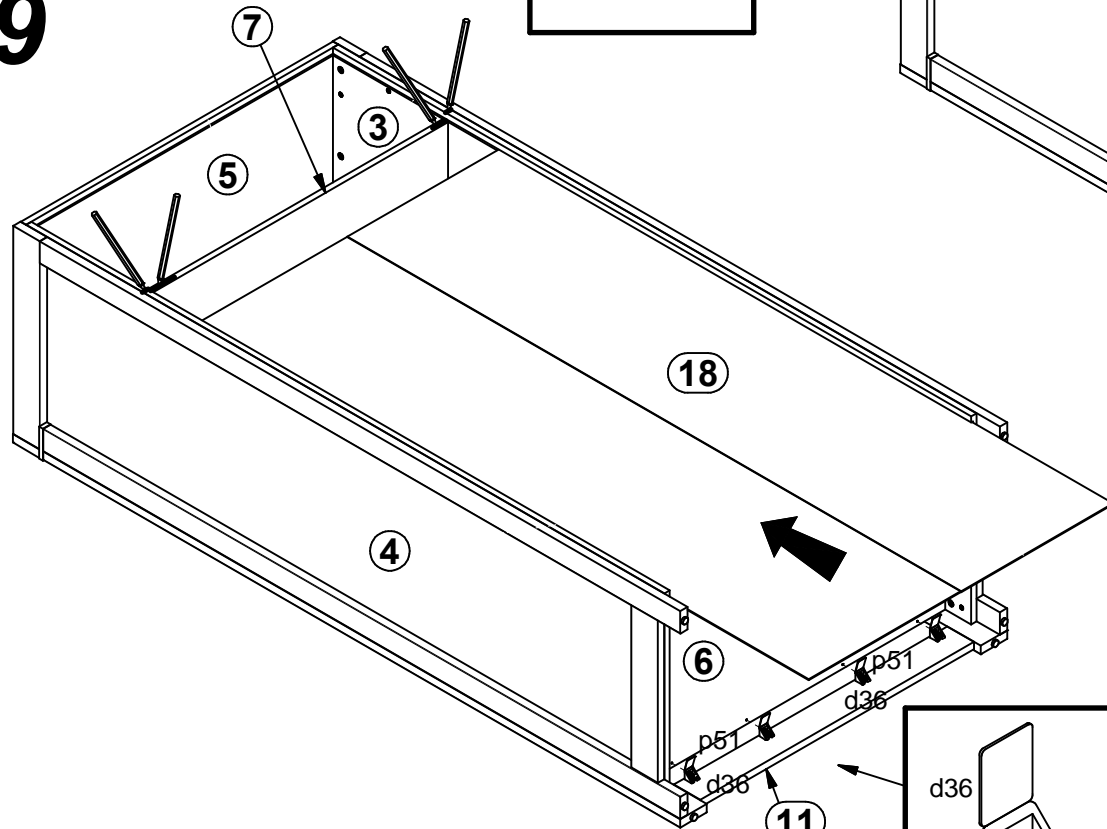


7

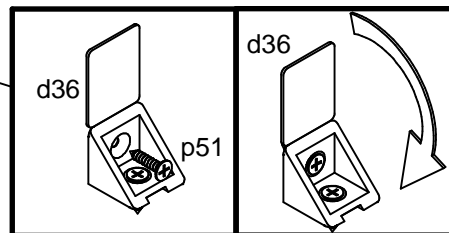
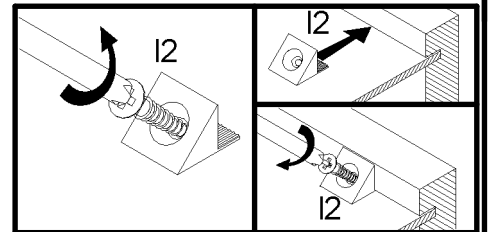
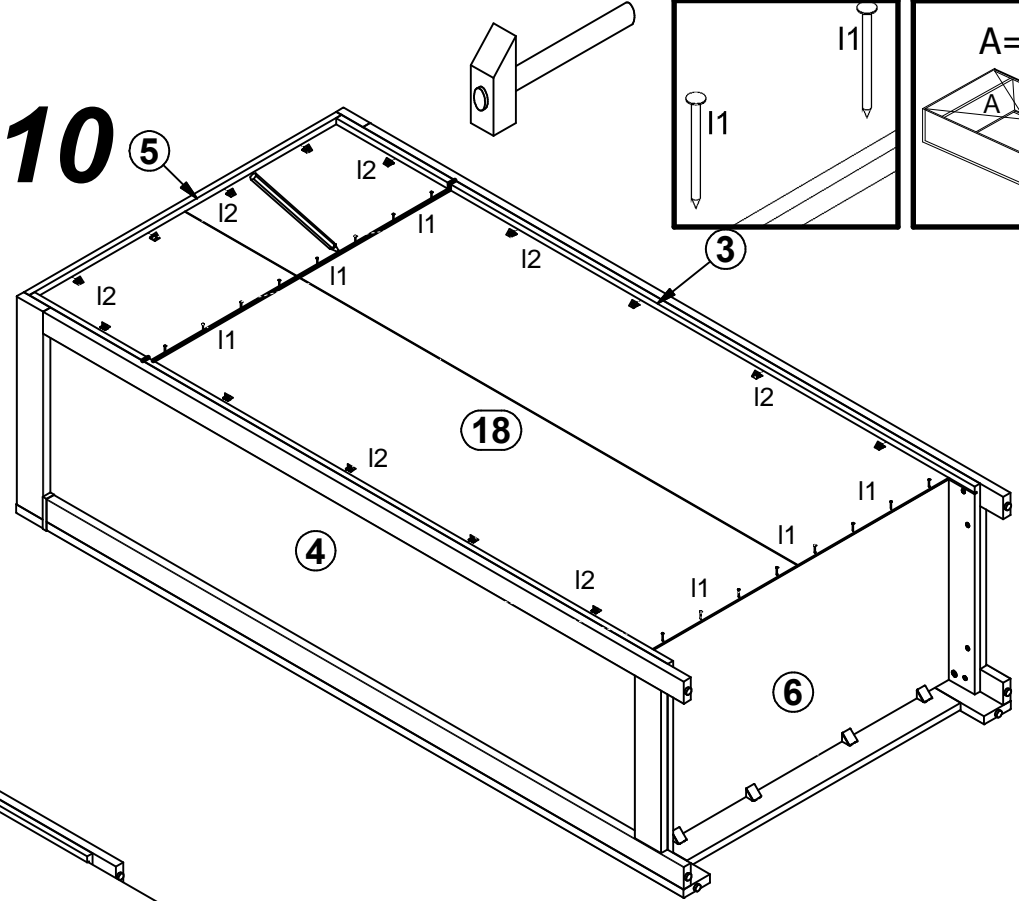


- 4x e22
Ø7x28 mm
- 2x k101
- 4x p8
Ø4x25 mm
- 4x p79
Ø3.5x20 mm
- 10x r1
Ø15x12 mm #16
- 10x r42
20/11
- 2x f1
Ø8x30 mm

9

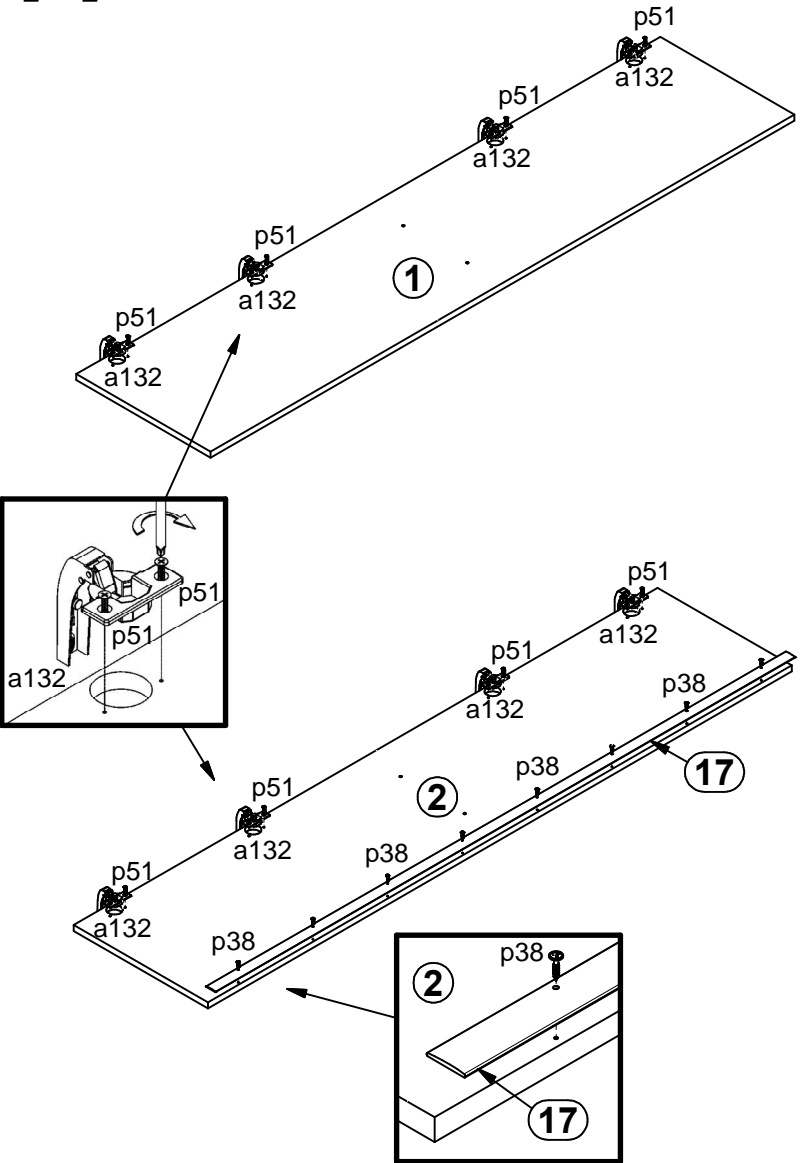


10

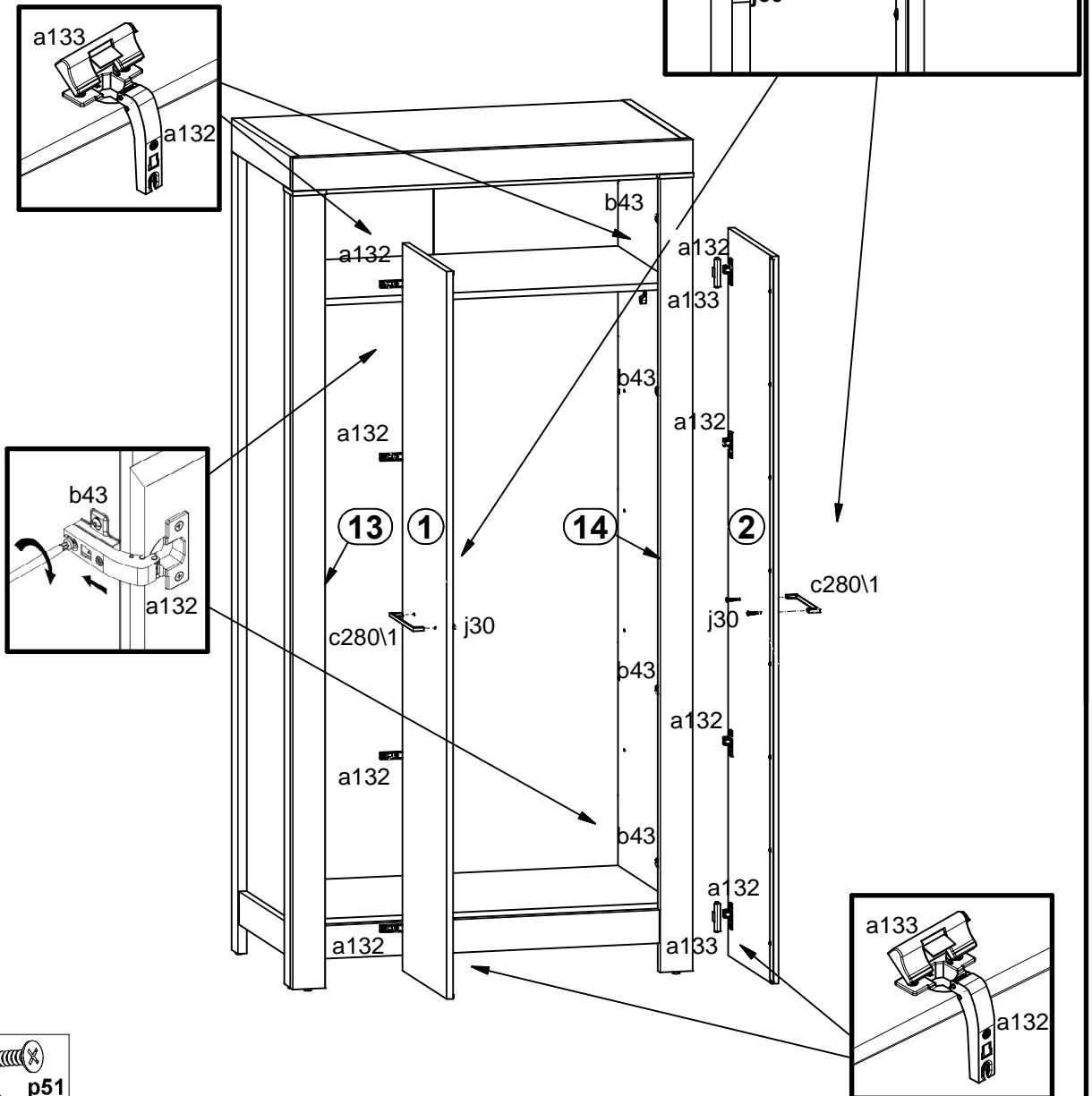





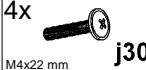


- 20x I1
- 14x I2
- 4x p51 Ø3,5x15 mm

11

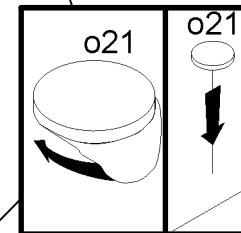
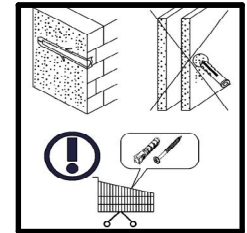
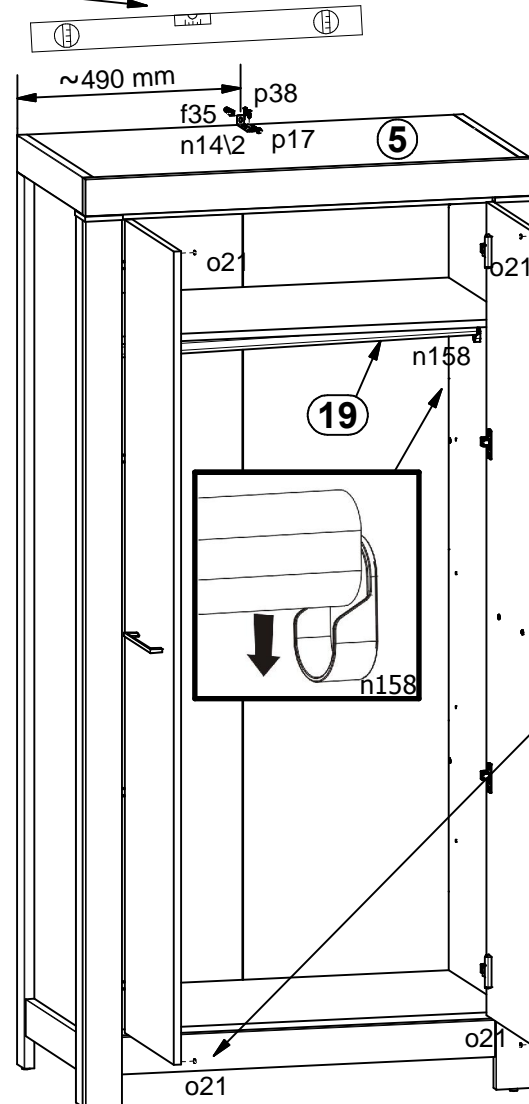
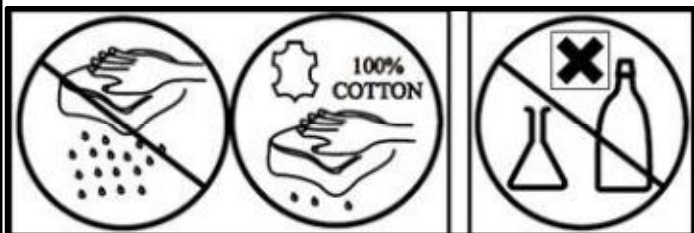
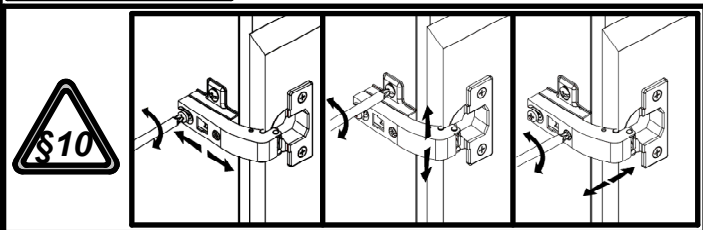
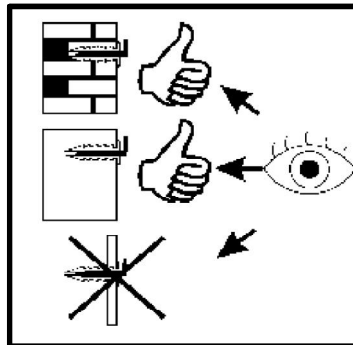
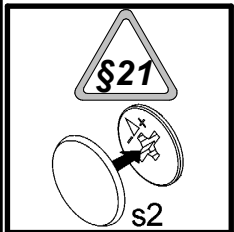
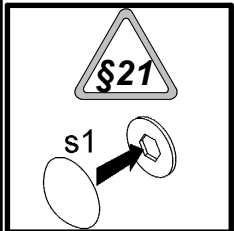
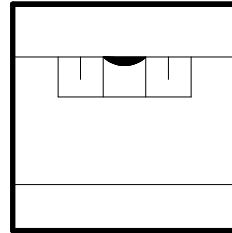
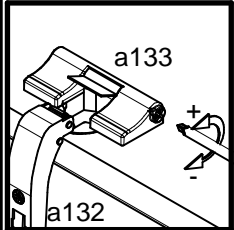
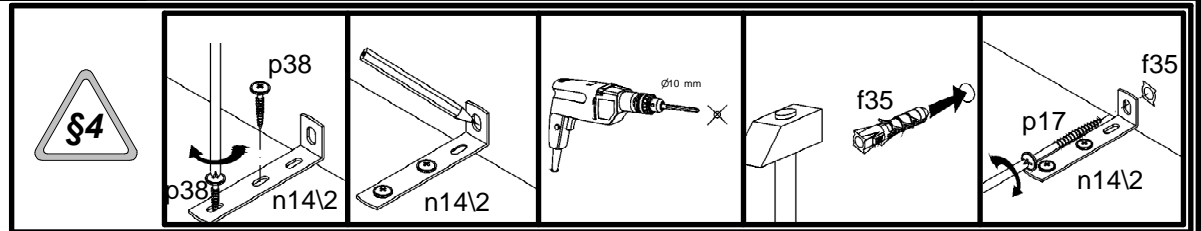


12



- 8x  a132
- 4x  a133
- 2x  c280\1
- 4x  j30
- 8x  p38
- 16x  p51

13



- 1x f35
Ø10x50 mm
- 1x n14/2
86x21x15/1,5
- 4x o21
silikon
- 1x p17
Ø5x60 mm
- 2x p38
Ø3,5x16 mm
- 16x s1
- 12x s2
Ø16