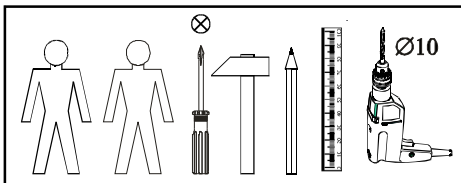
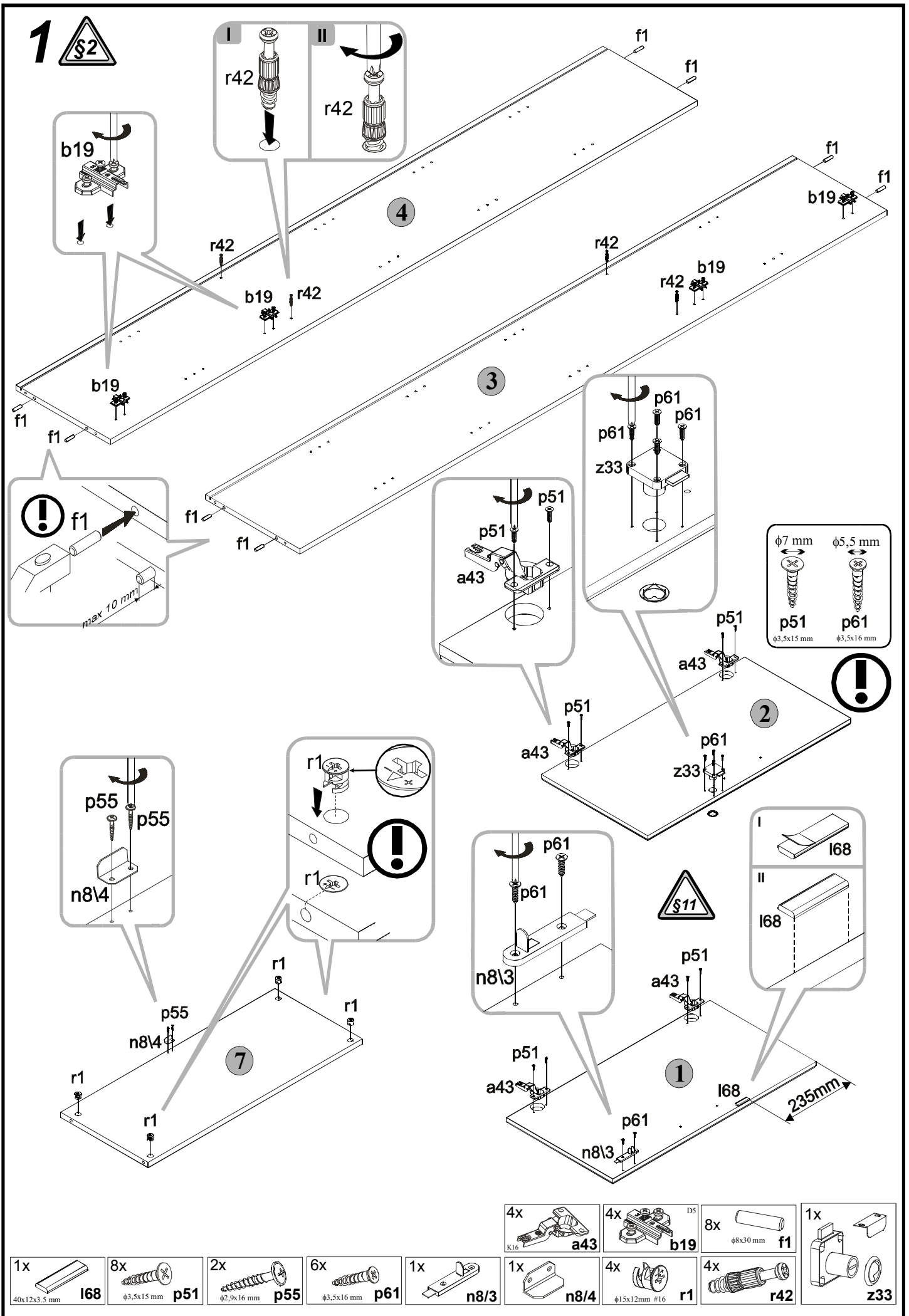


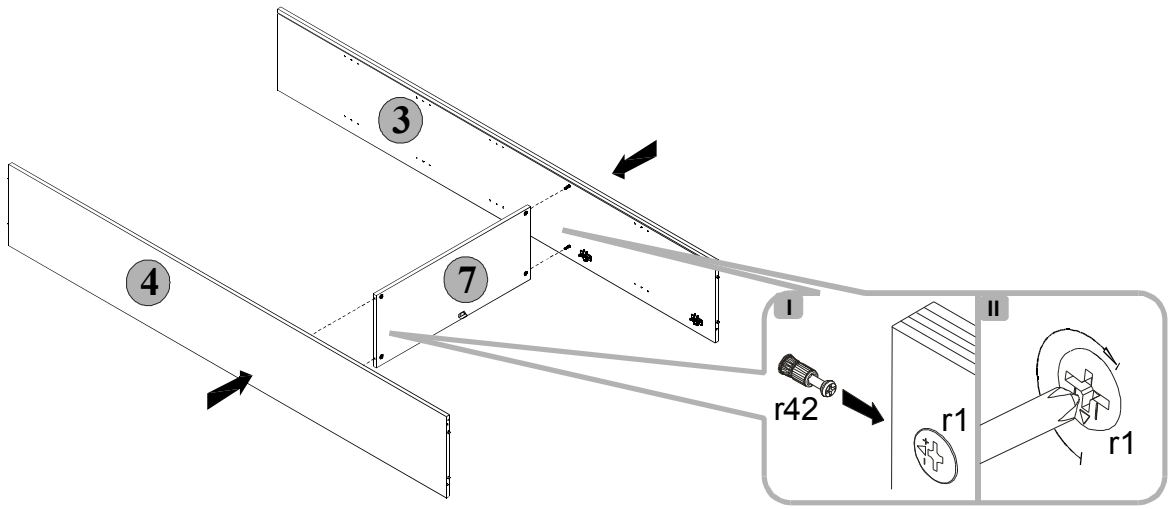
A	B	C	D
1	S363-002	719x376	3/3
2	S363-006	719x376	3/3
3	S171-109	2148x346	1/3
4	S171-110	2148x346	1/3
5	S363-202	791x350	2/3
6	S363-203	791x350	2/3
7	S363-301	758x309	2/3
8	S171-302A	757x309	2/3
9	S171-901	2162x771	1/3



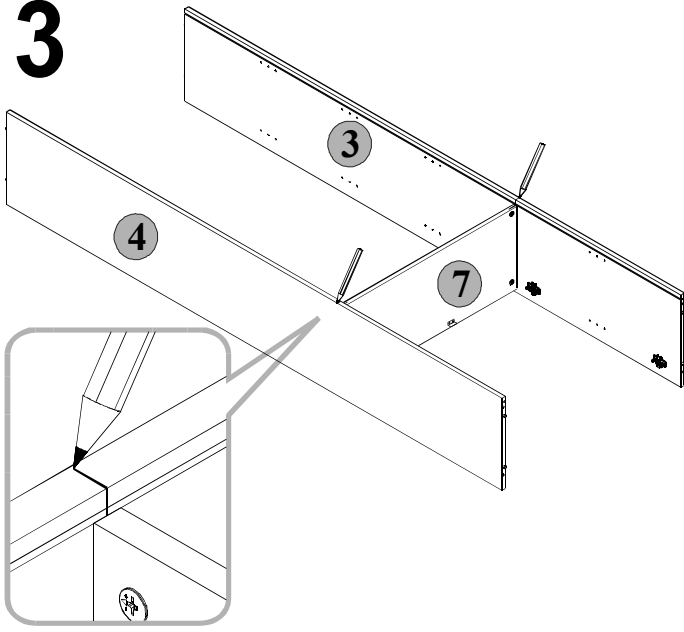
4x K16 a43	4x D5 b19	2x L=200/128 mm c450/1	16x φ5 d1	8x φ7x50 mm e1	8x φ8x30 mm f1	1x φ10x50 mm f35	4x 56x56x20 mm k52	5x l1
8x l2	1x 40x12x3.5 mm l68	4x φ4.5/φ6.5x5 mm o29	4x φ4x30 mm p9	1x φ5x60 mm p17	8x φ4x30 mm p21	2x φ3.5x16 mm p38	8x φ3.5x15 mm p51	1x z33
2x φ2.9x16 mm p55	6x φ3.5x16 mm p61	1x n8/3	1x n8/4	1x 81x21x15/1.5mm n14	4x φ15x12mm #16 r1	4x r42	1x z1	



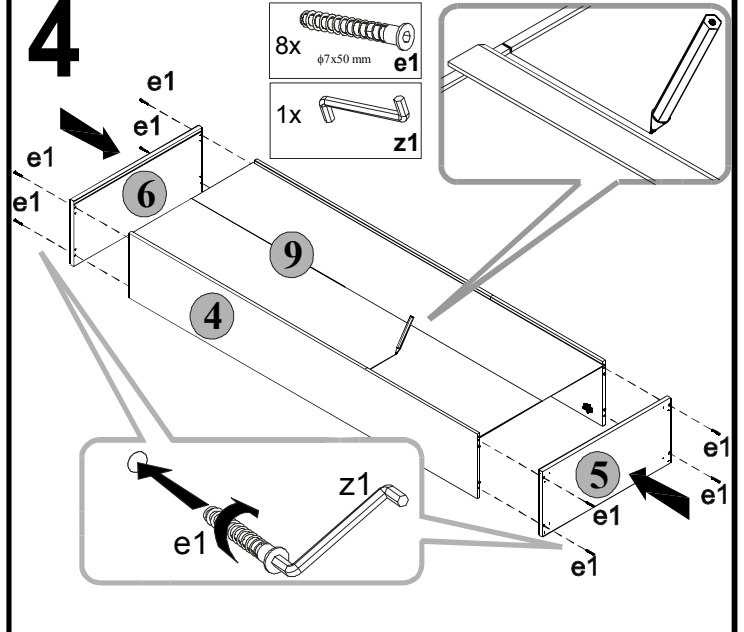
2



3



4



5

