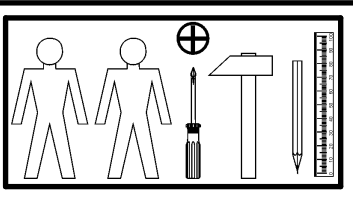
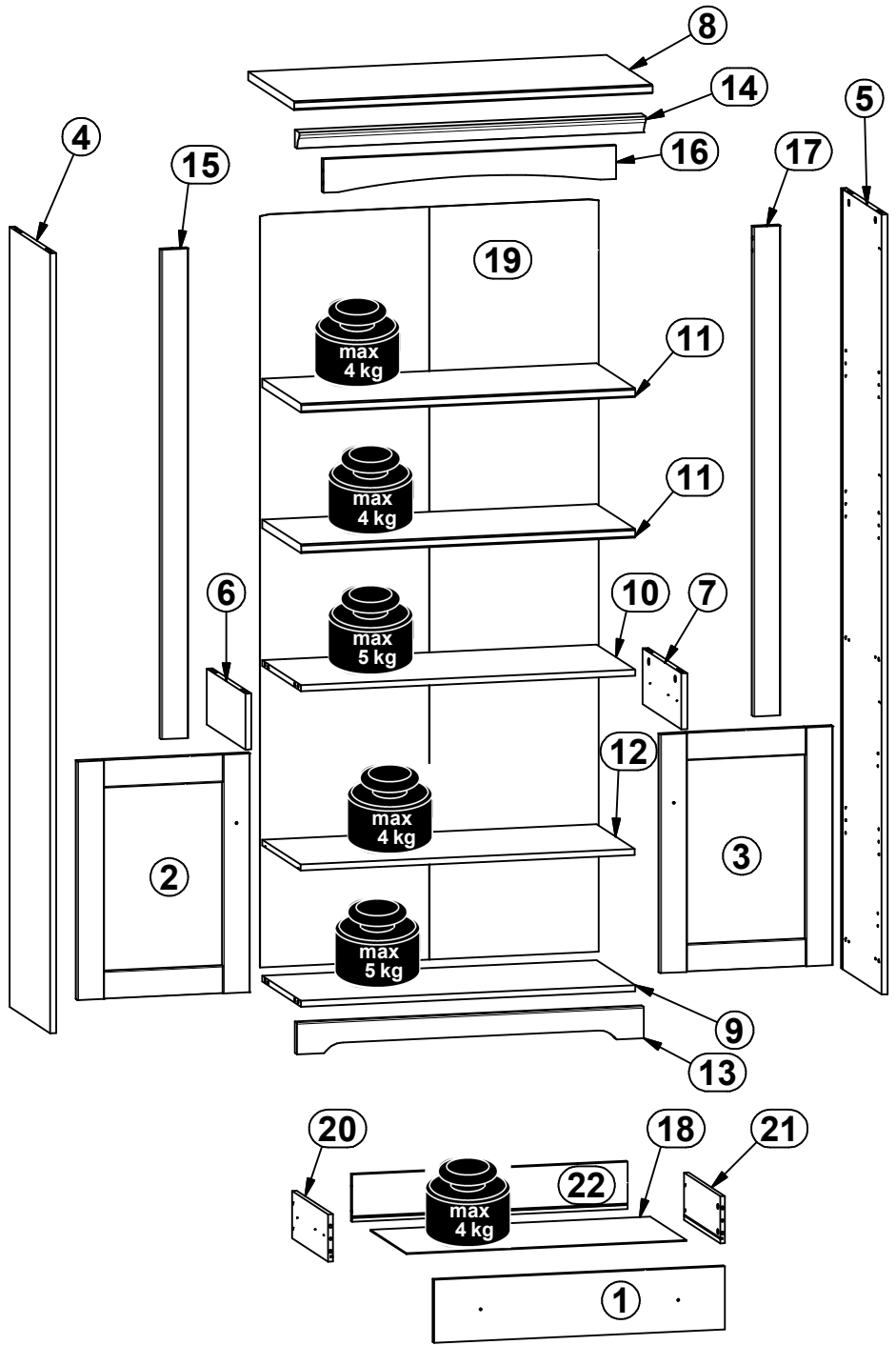
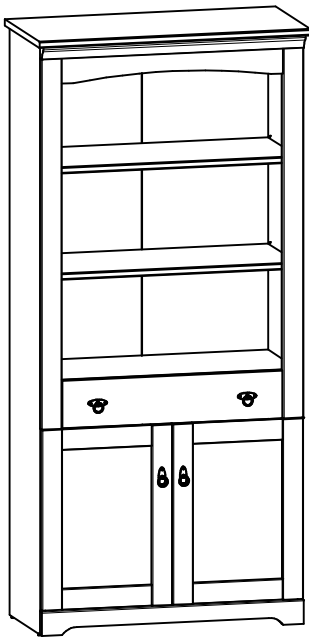
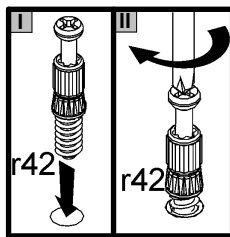
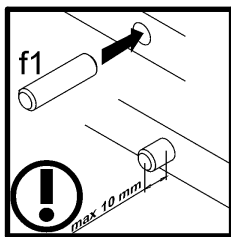
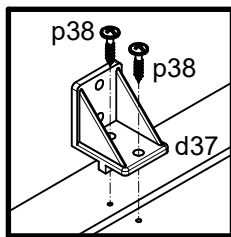
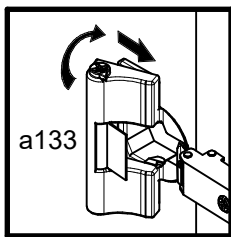
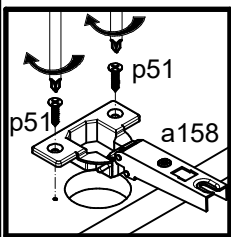
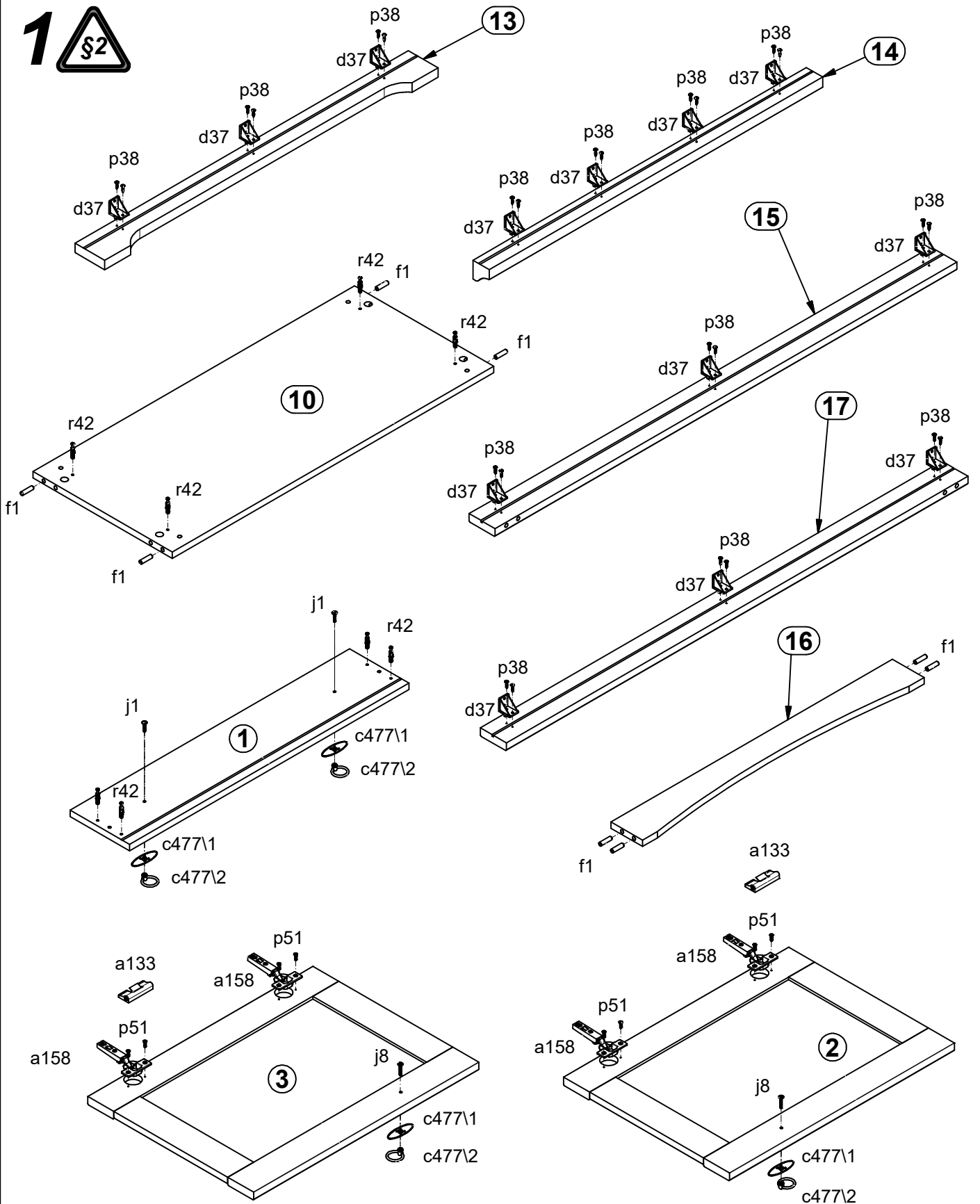


A	B	C	D	
1	S405-0012	753	160	2/2
2	S405-0013	606	447	2/2
3	S405-0014	606	447	2/2
4	S405-1014	1980	395	1/2
5	S405-1015	1980	395	1/2
6	S405-1016	142	375	2/2
7	S405-1017	142	375	2/2
8	S405-2005	928	445	2/2
9	S405-3010	866	375	1/2
10	S405-3011	866	375	1/2
11	S405-3012	865	375	2/2
12	S405-3013	865	370	2/2
13	S405-5003	898	80	2/2
14	S405-5004	898	44	2/2
15	S405-5010	1243	70	1/2
16	S405-5011	758	85	2/2
17	S405-5012	1243	70	1/2
18	S405-9002	725	348	2/2
19	S405-9307	1911	877	1/2
20	ZK1-503	350	120	1/2
21	ZK1-504	350	120	1/2
22	ZS4-5520	714	120	2/2

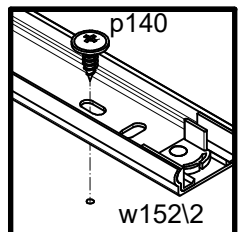
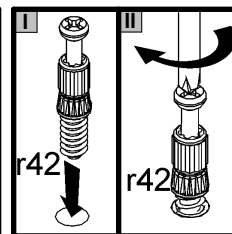
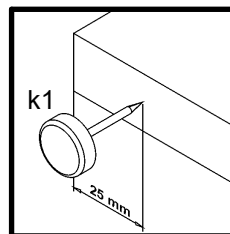
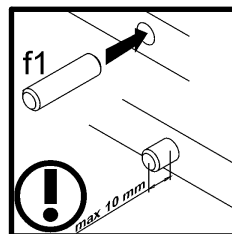
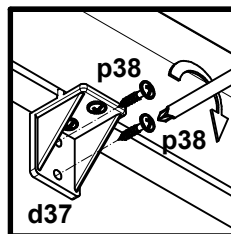
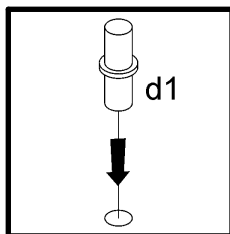
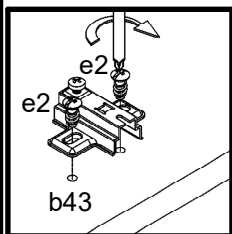
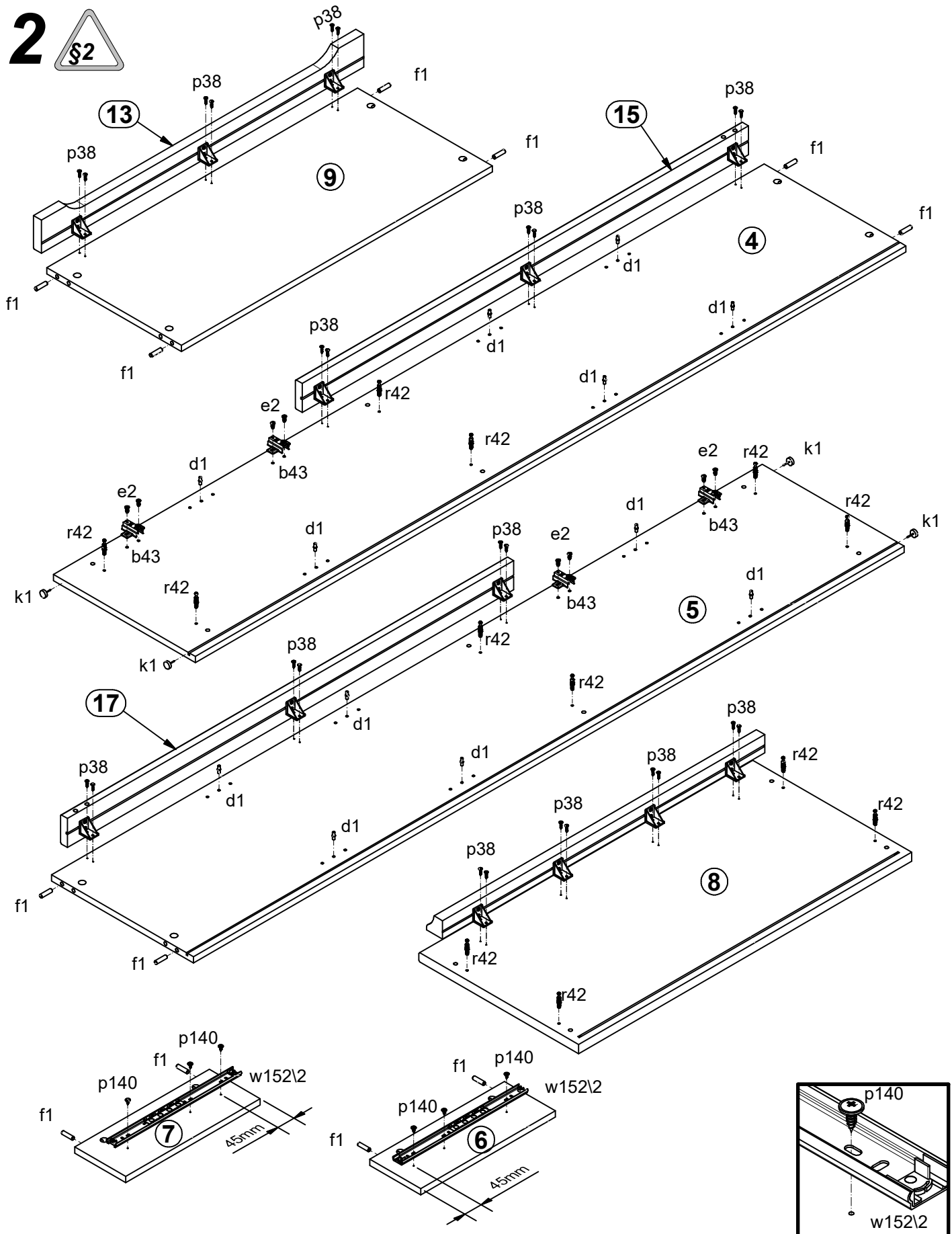


2x a133	4x a158	4x b43	4x c477/1	4x c477/2	12x d1	13x d37	8x e2	20x f1
4x f25	2x f9	2x j1	2x j8	4x k1	20x l1	14x l2	12x p140	2x p25
53x p38	8x p51	16x r1	4x r15	20x r42	1x t19	2x w152/1	2x w152/2	1x n26
4x s2								

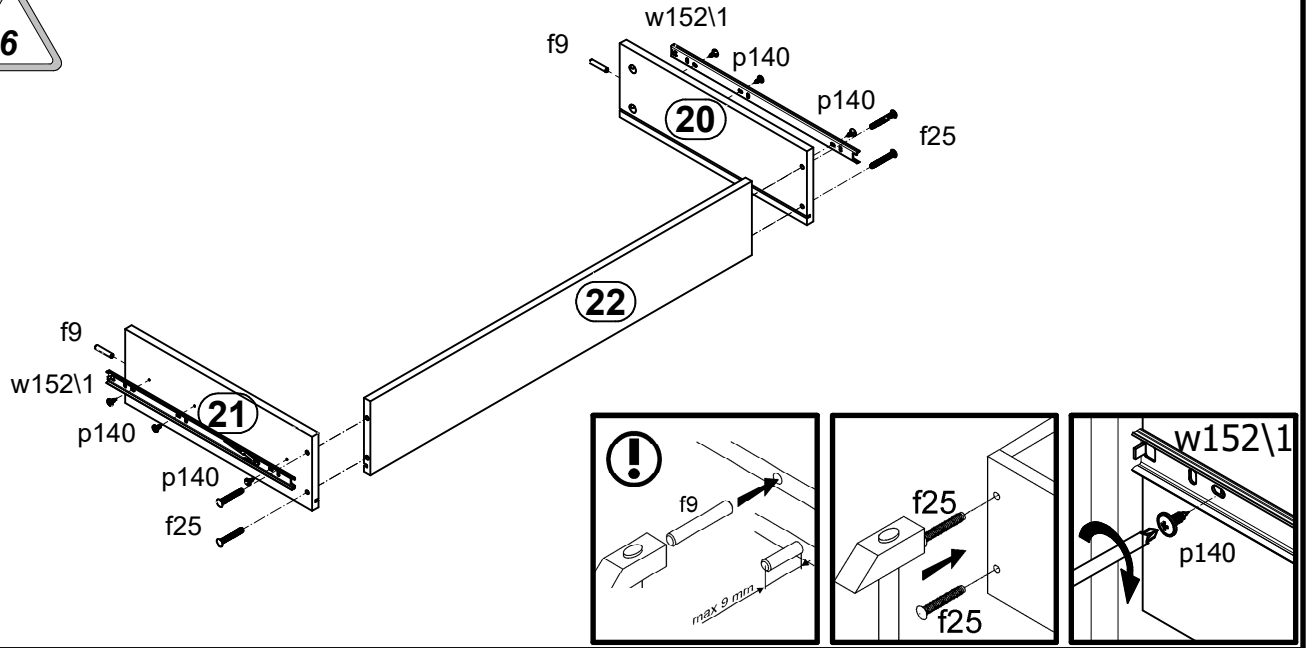
1 §2



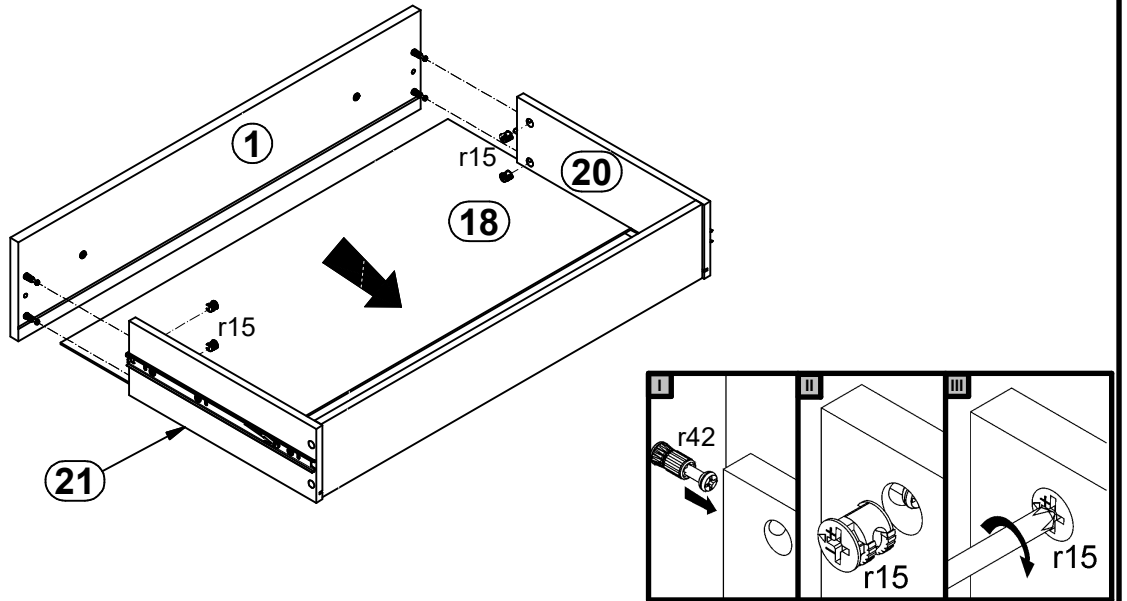
2



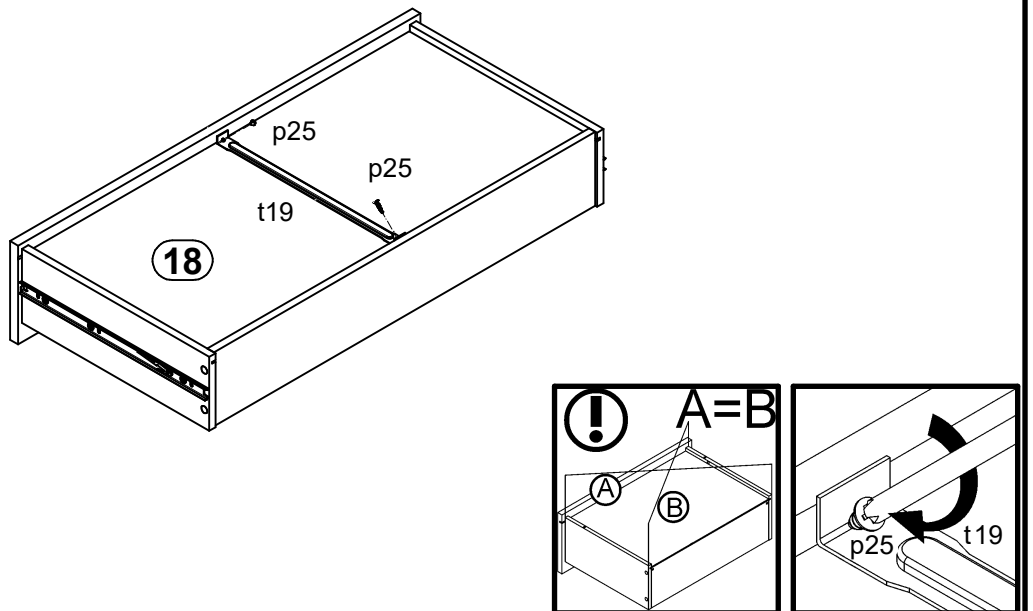
3



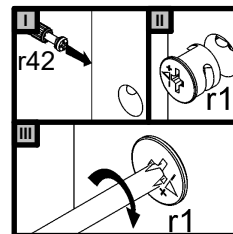
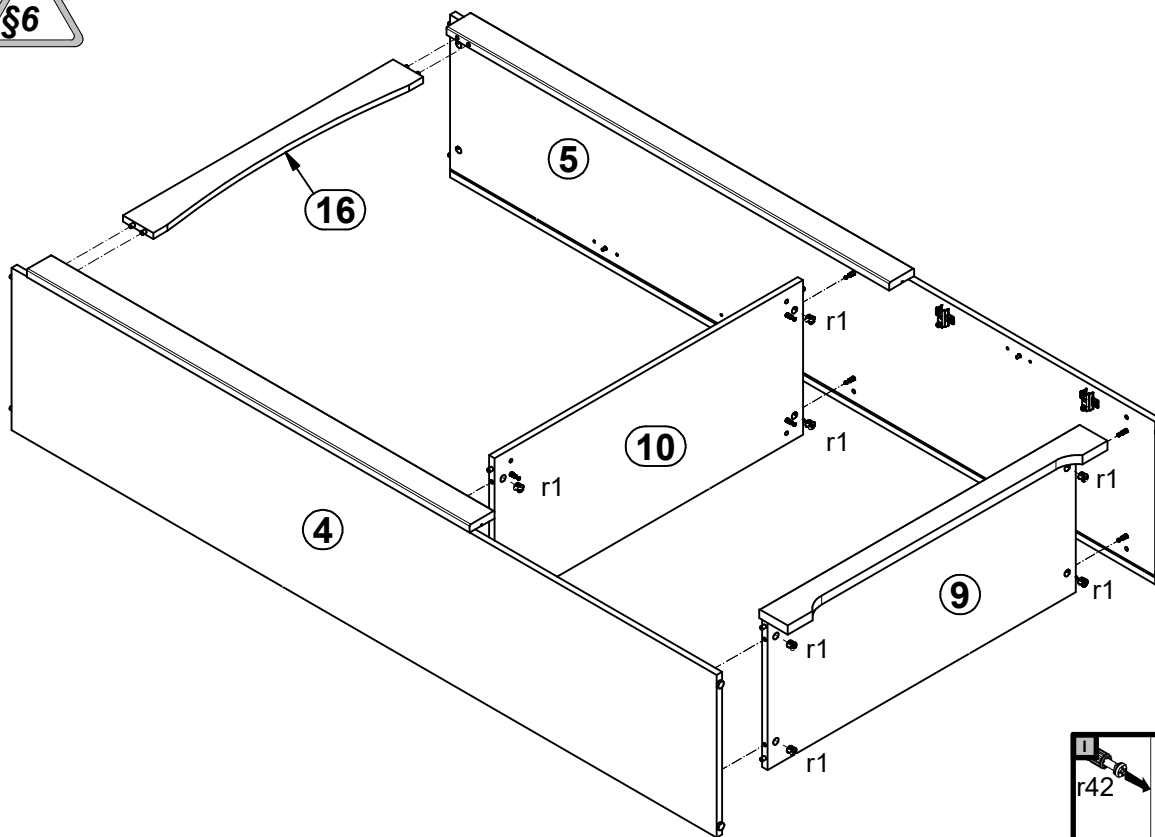
4



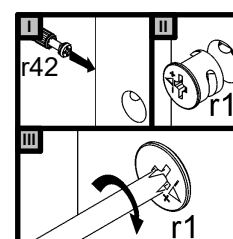
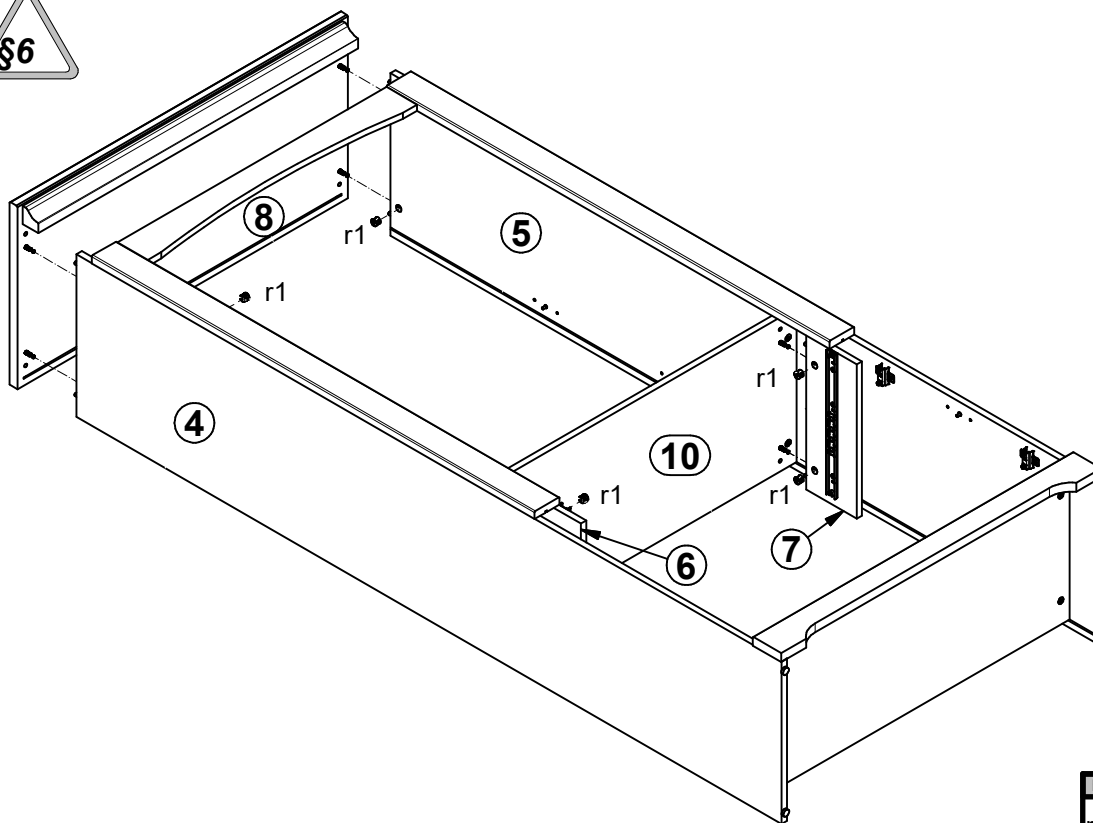
5



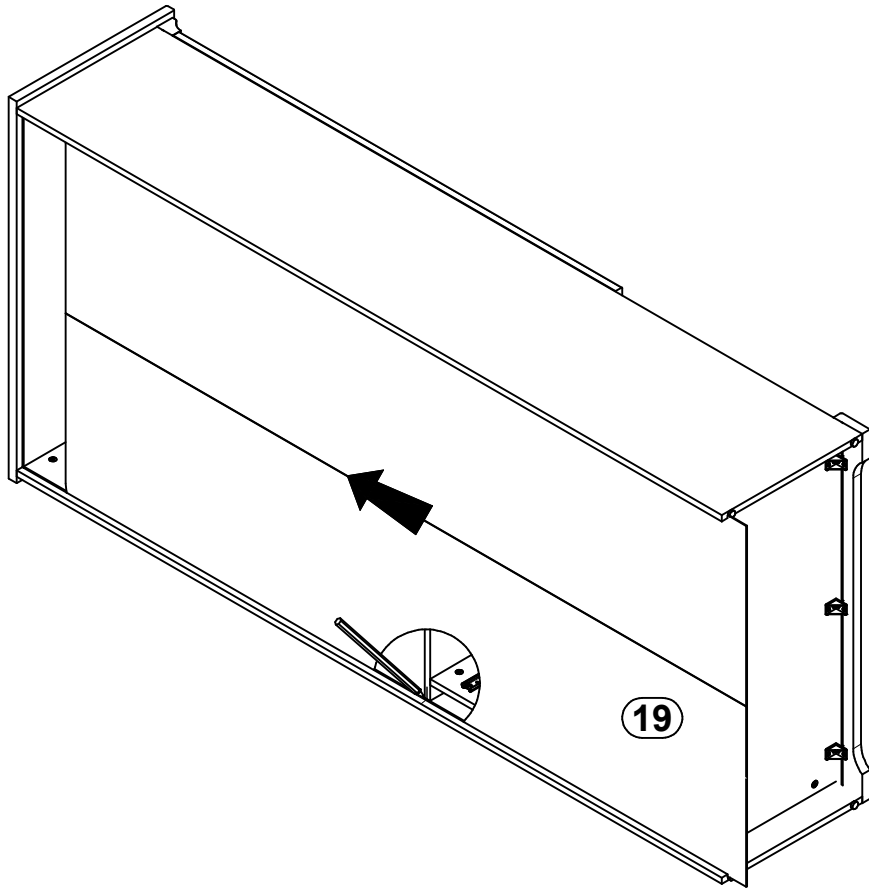
6



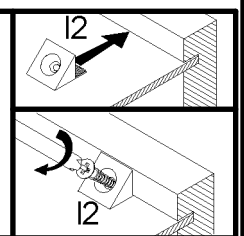
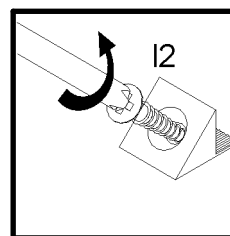
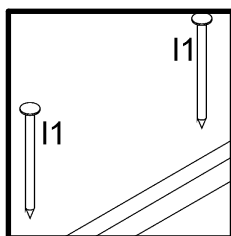
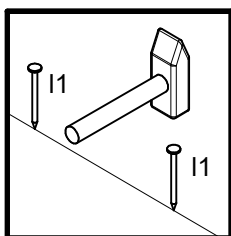
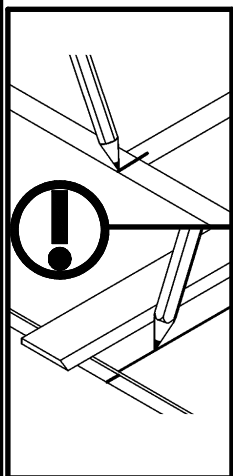
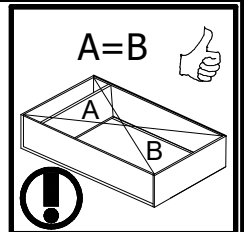
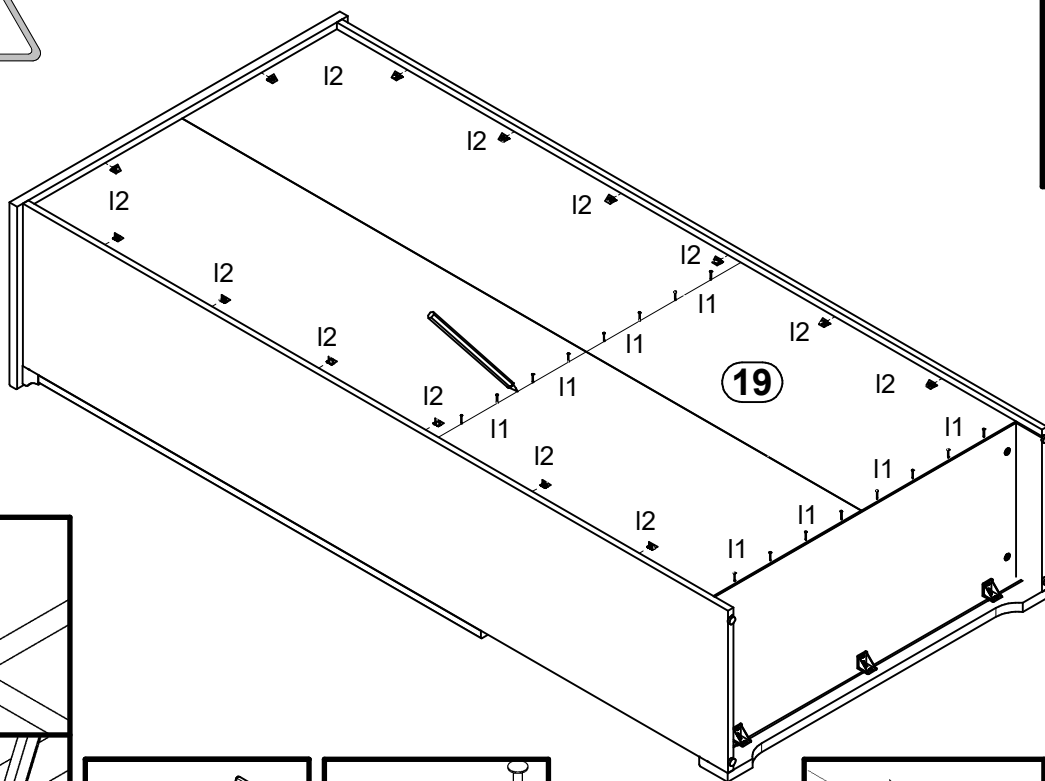
7



8



9



10

