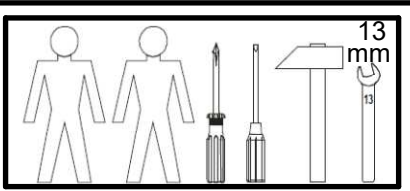
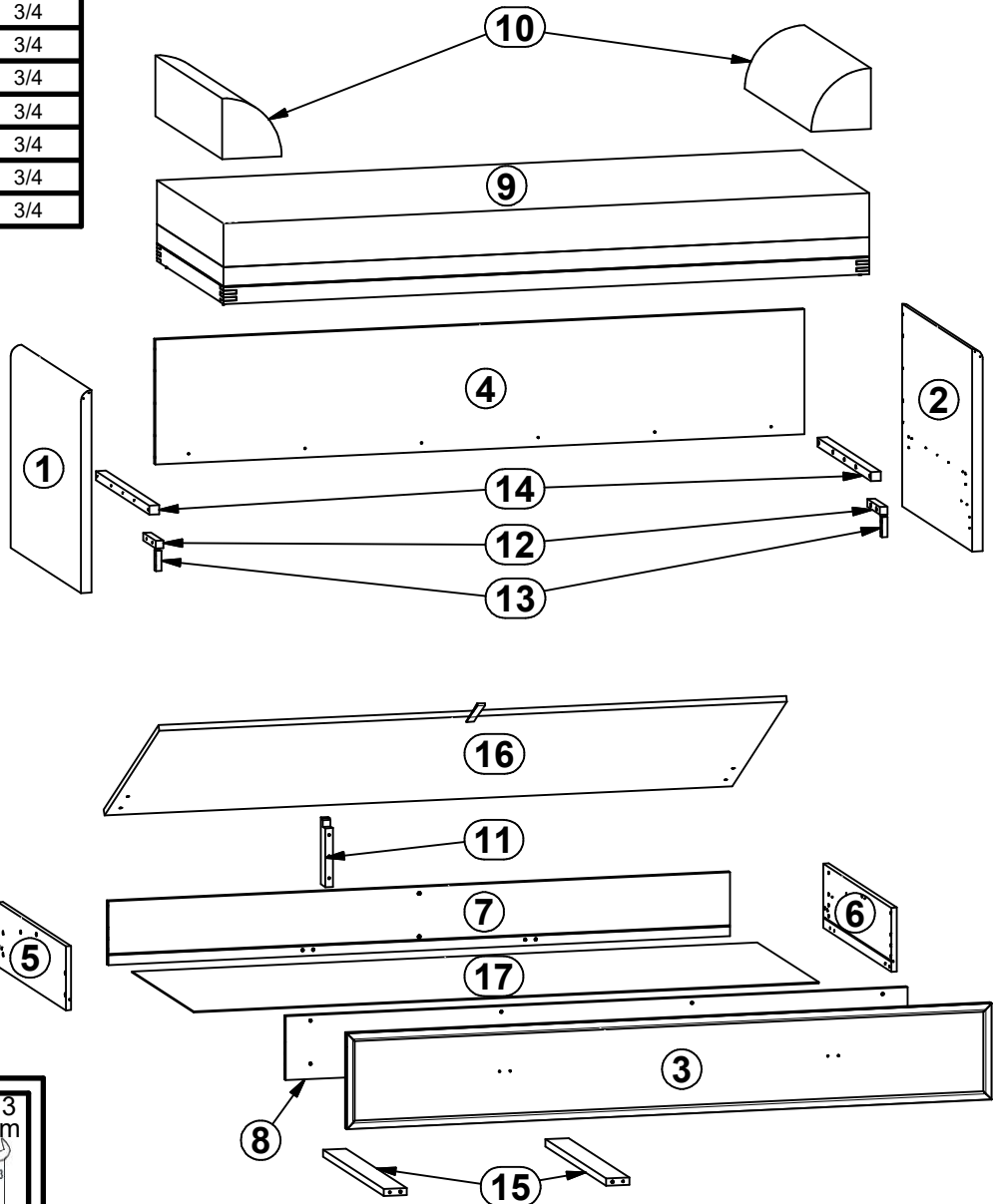
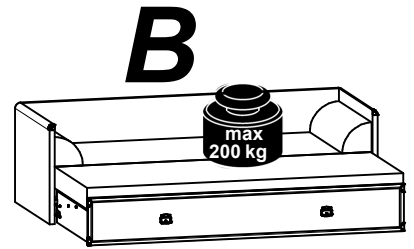
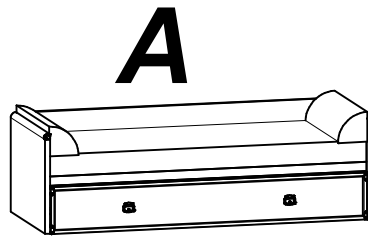
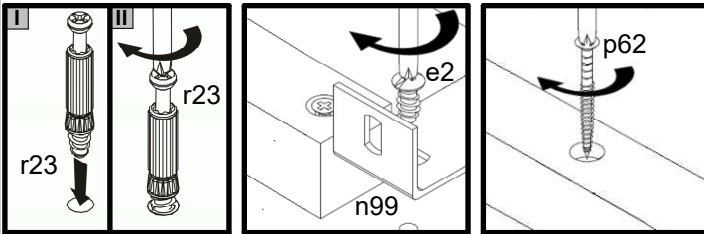
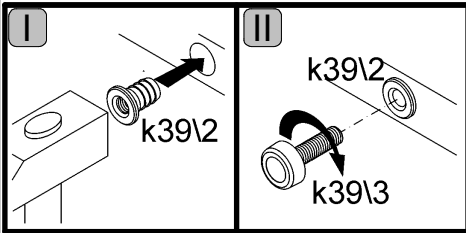
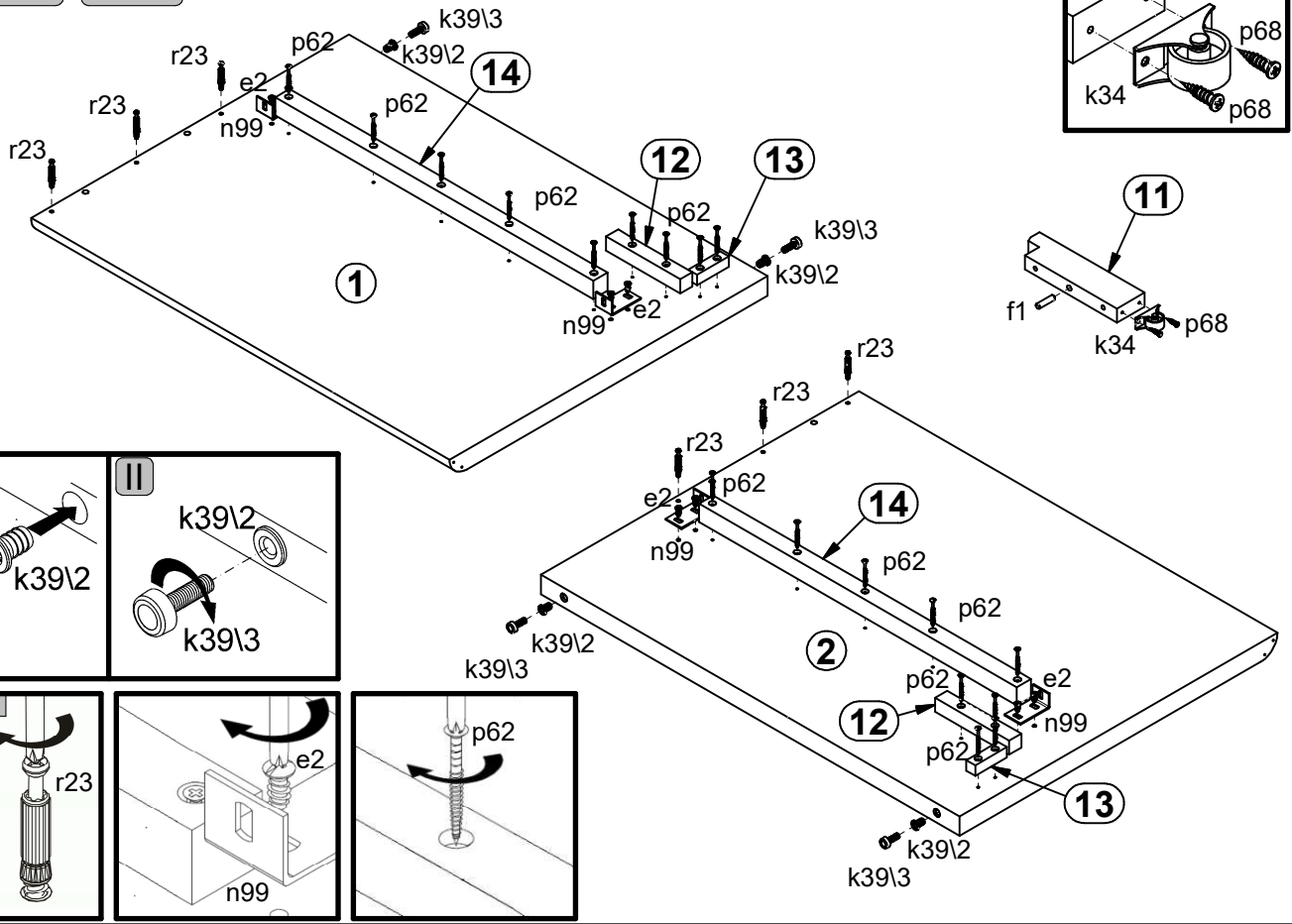


A	B	C	D	
1	S31-034 A	790	600	1/4
2	S31-035 A	790	600	1/4
3	S31-036 A	1948	285	4/4
4	S31-413	1960	370	2/4
5	S31-414 B	767	190	2/4
6	S31-415 B	767	190	2/4
7	S31-416 B	1878	190	2/4
8	S31-417 A	1878	190	2/4
9	ZZ1-401	1950	1500	1/2
10	ZZ1-404	750	180	2/2
11	ZZ1-402	198	52	3/4
12	ZZ1-403	140	23	3/4
13	ZZ1-405	60	17	3/4
14	ZZ1-406	600	27	3/4
15	ZZ1-407	684	70	3/4
16	ZZ1-408	1896	712	3/4
17	ZZ1-903	1888	694	3/4

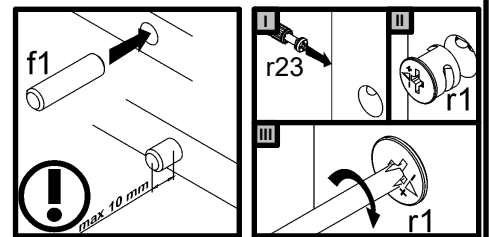
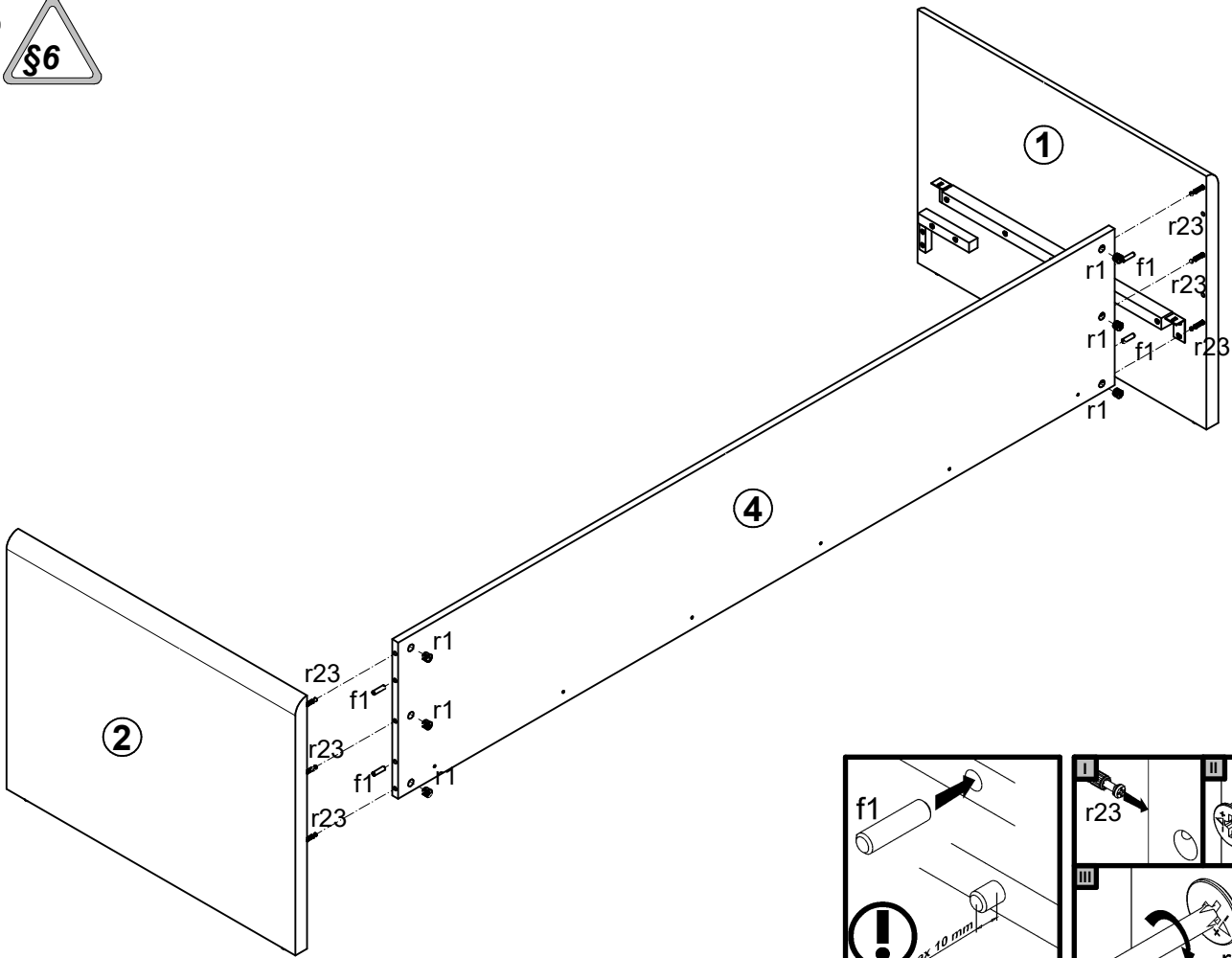


2x c158	14x Ø7x50 mm e1	16x Ø6,3x13 mm e2	8x Ø7x28 mm e22	17x Ø8x30 mm f1	4x M6x30 mm j9	16x M6 j10	4x M4x22 mm j60	8x M6x25 mm j96
1x k34	4x M6/Ø14x14 mm k3912	4x M6/22 mm k3913	4x k44	2x l27	2x l28/L	2x l28/P	2x m28/1	1x m28/L
1x m28/P	4x 55x30x29/2 mm n99	2x 55x30x20/2 n100	4x Ø22/Ø61,5 mm o6	12x Ø6xØ12/11,4 mm o40	6x Ø3,5x13 mm p1	24x Ø4x45 mm p62	2x Ø4x20 mm p68	12x Ø3x12 mm p83
6x Ø15x12 mm #16 r1	6x 30/11 r23	8x s1	6x Ø16 s2	1x 395 mm s7/L	1x 395 mm s7/P	1x 4 mm z1		

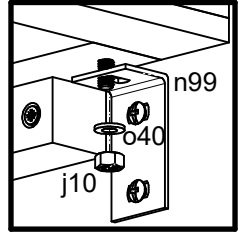
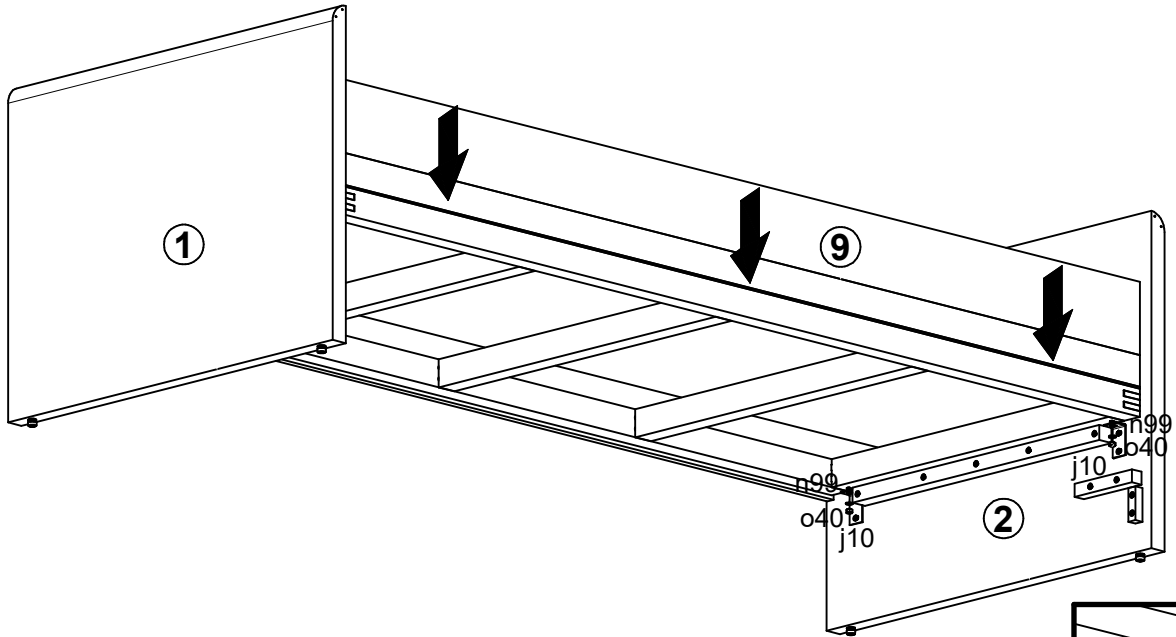
1 §2 §6



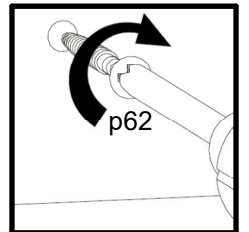
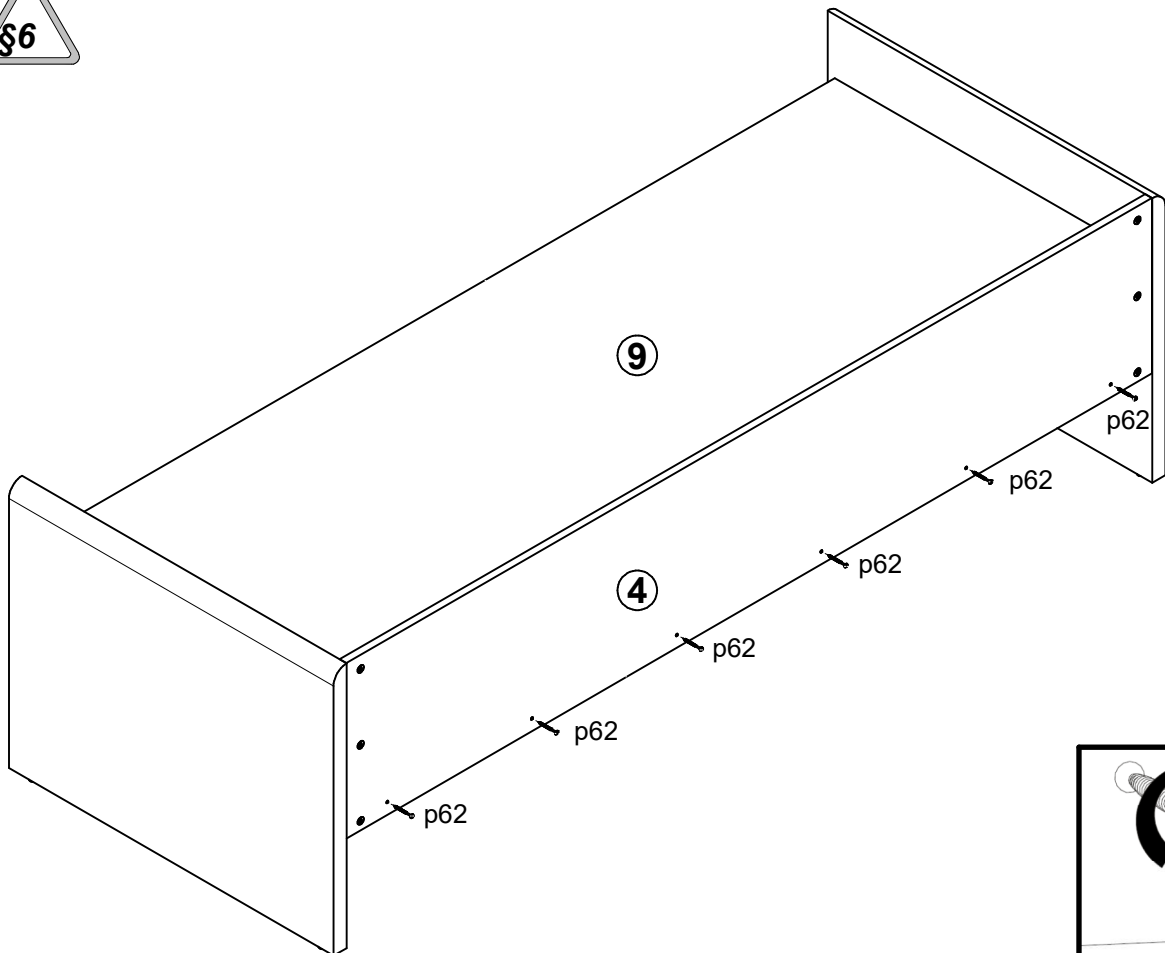
2 §6



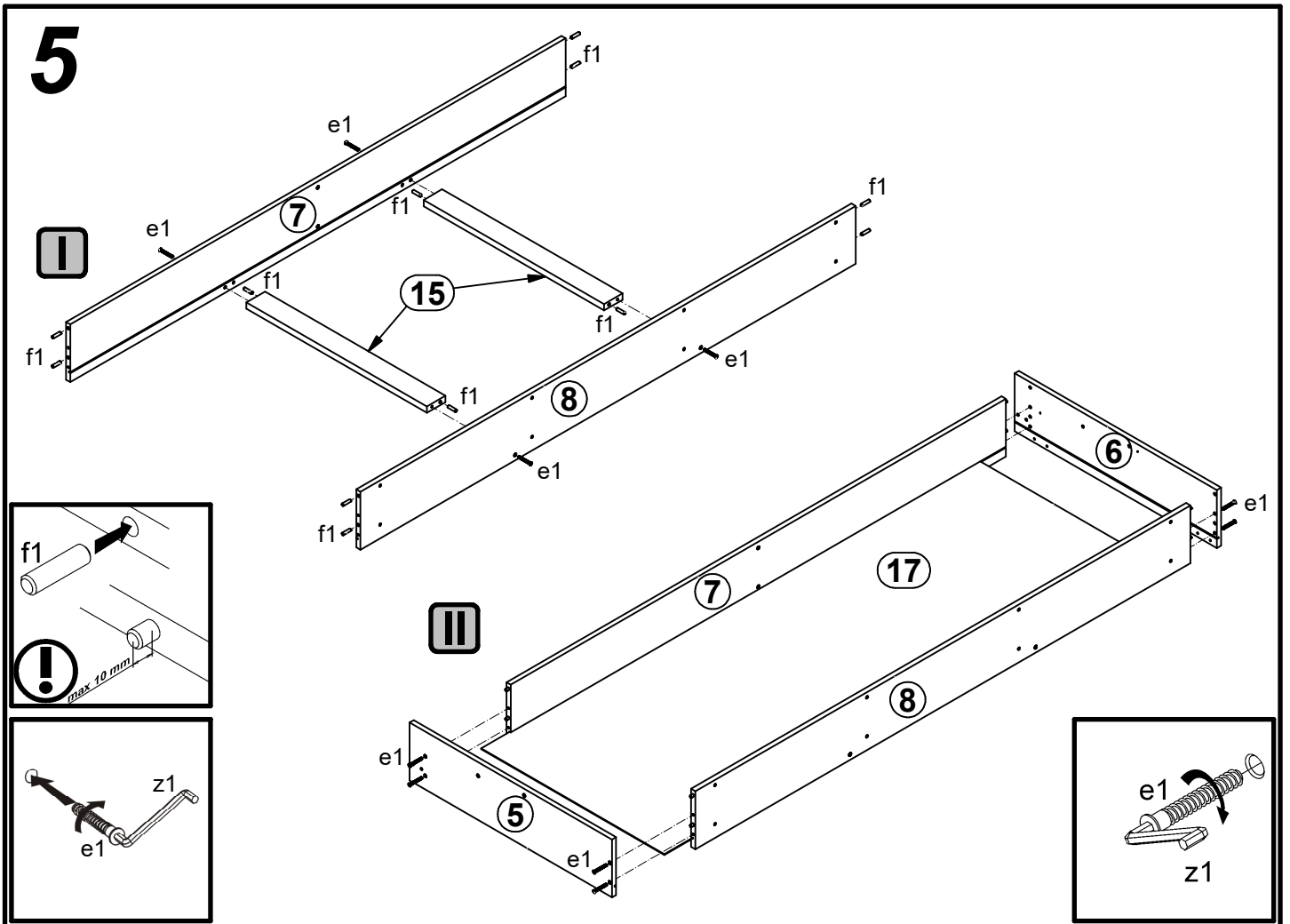
3 §6



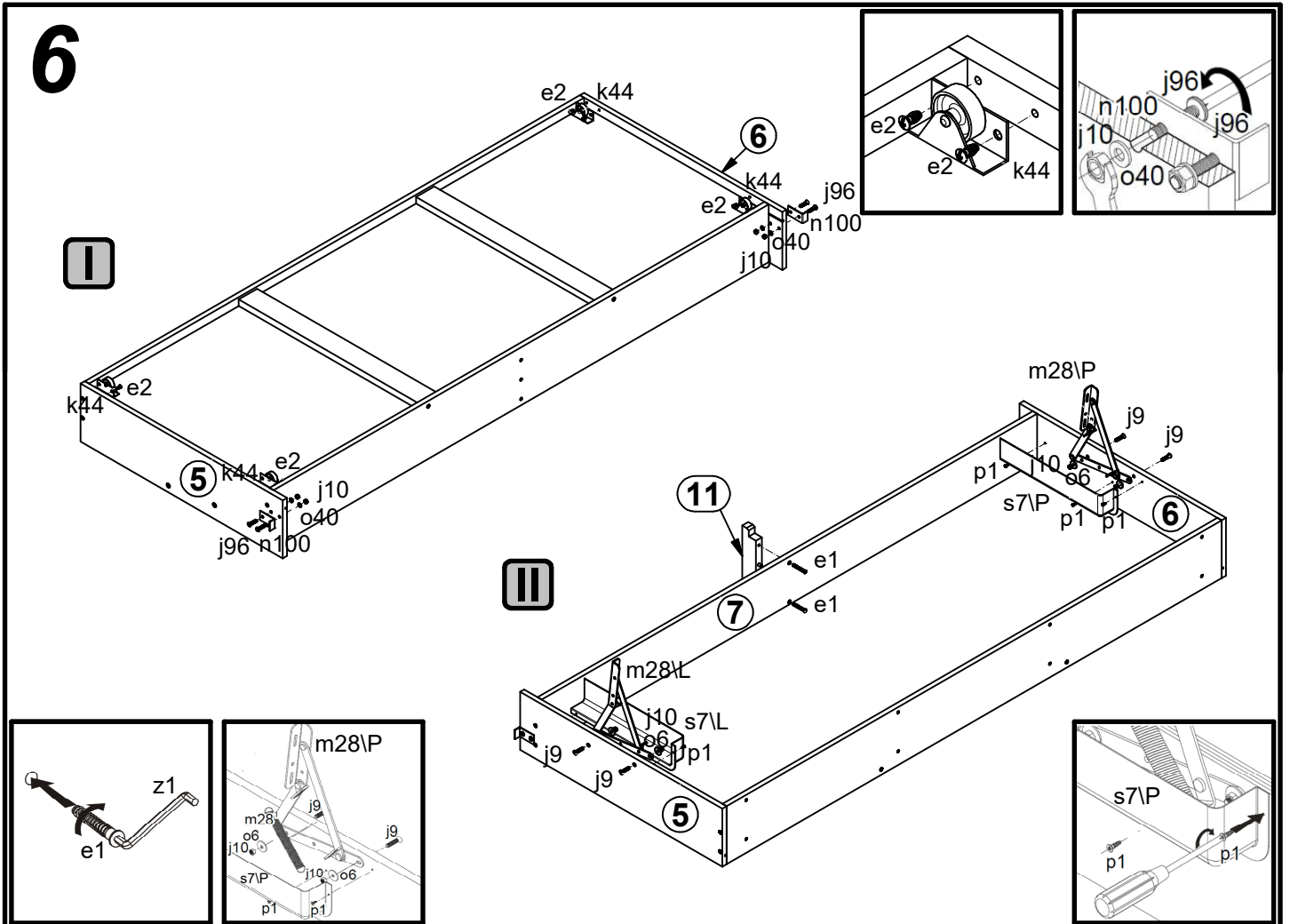
4 §6



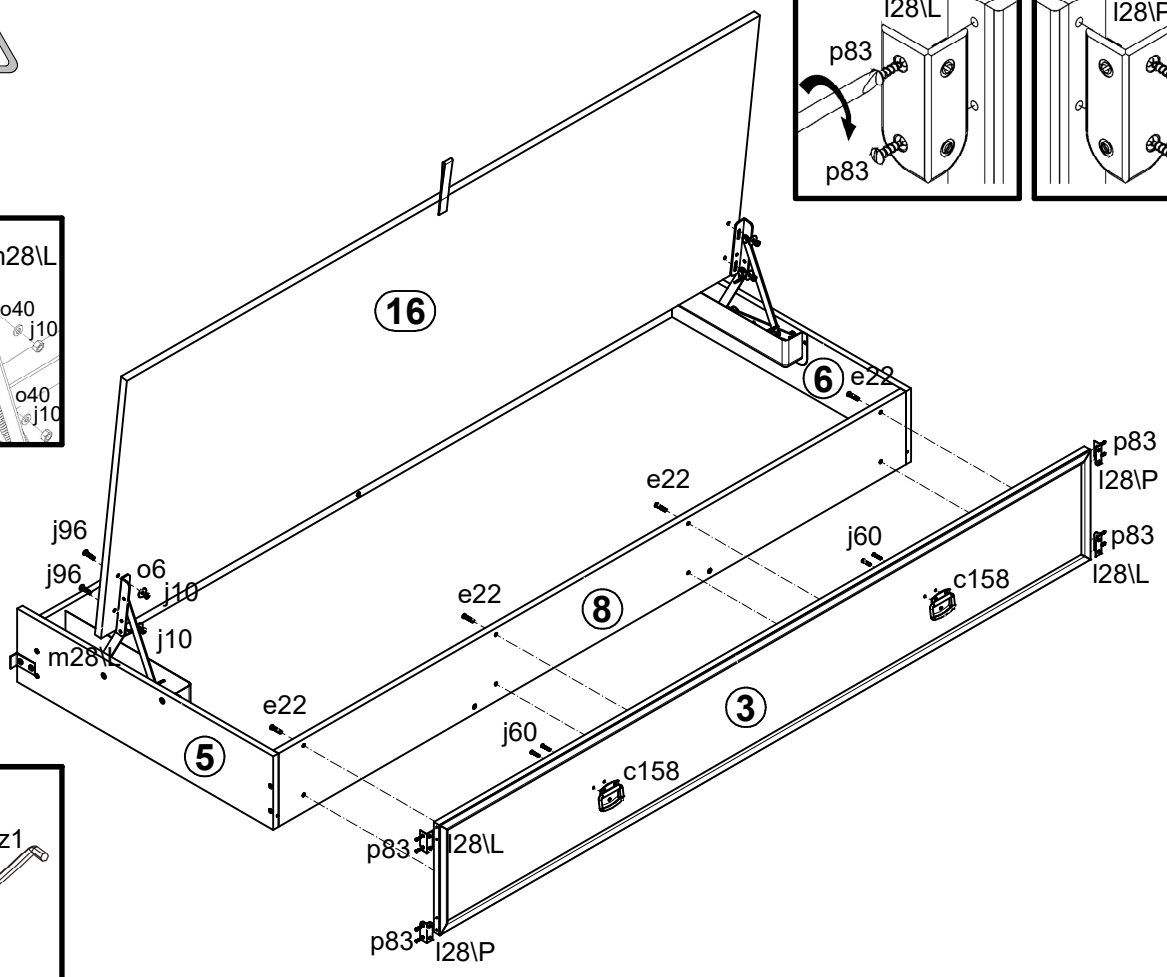
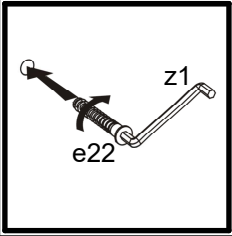
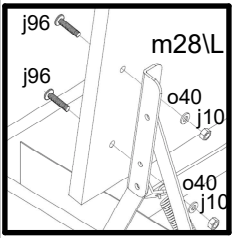
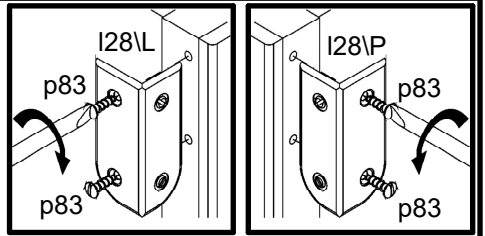
5



6



7



8

