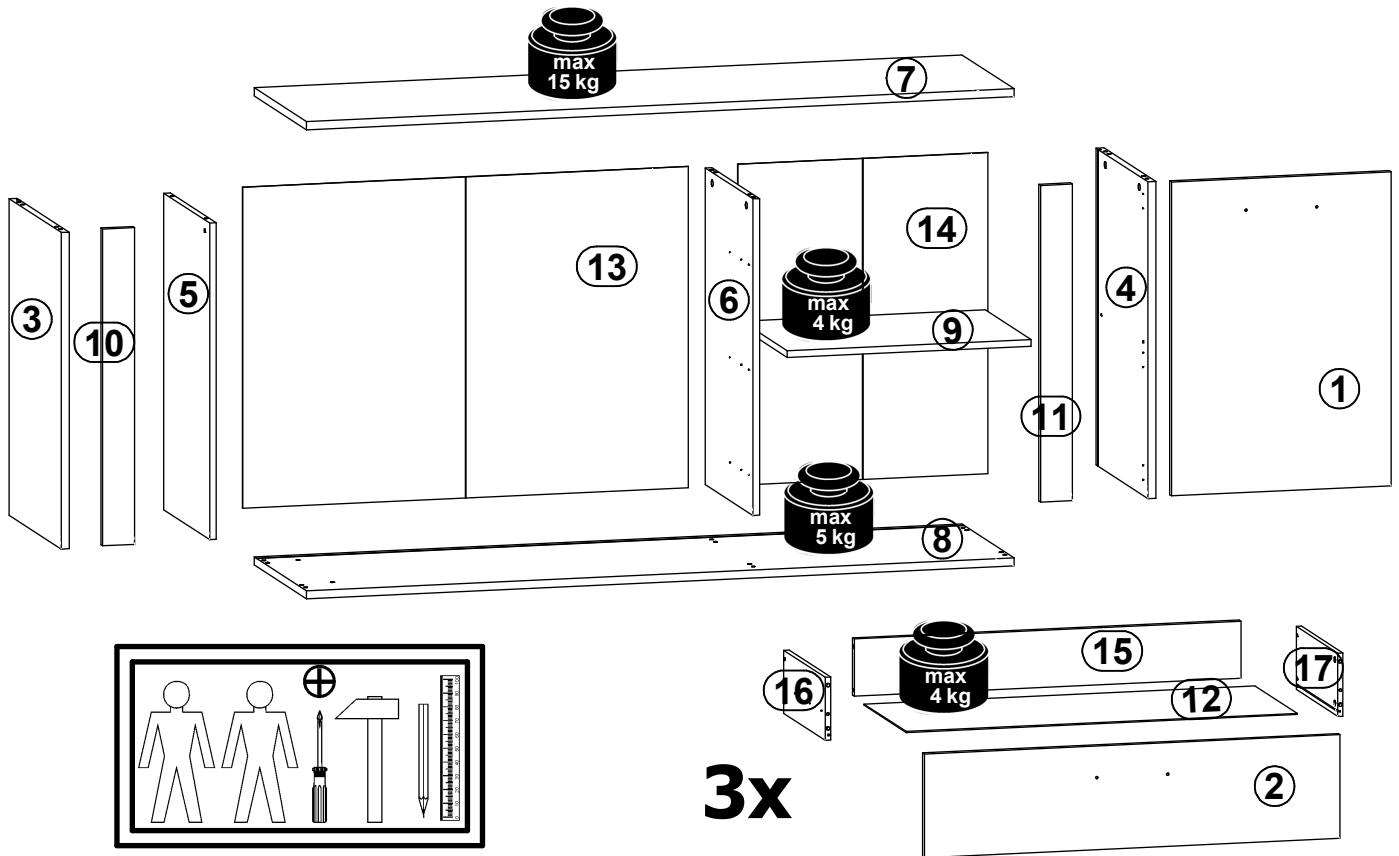
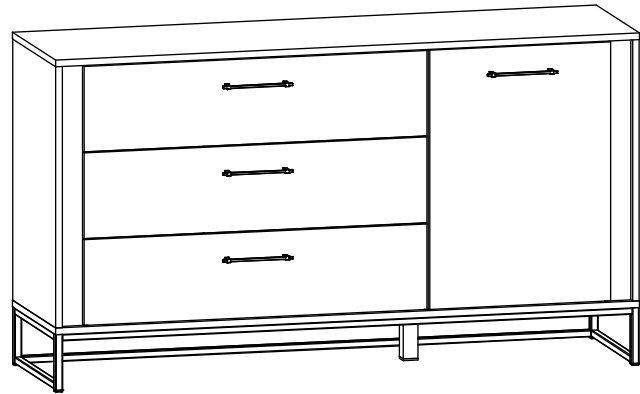


**A**

# LUTON

**S473-KOM1D3S/9/16**

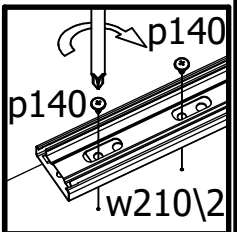
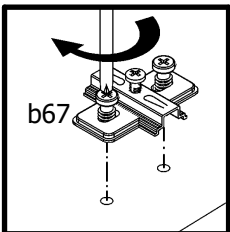
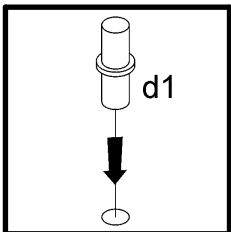
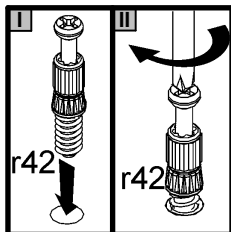
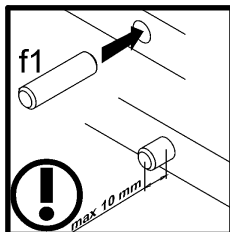
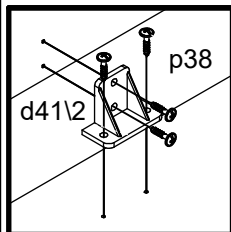
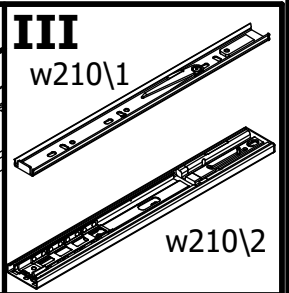
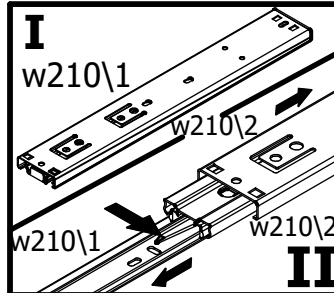
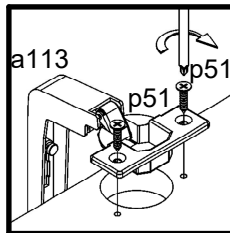
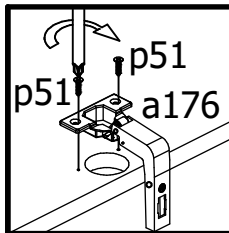
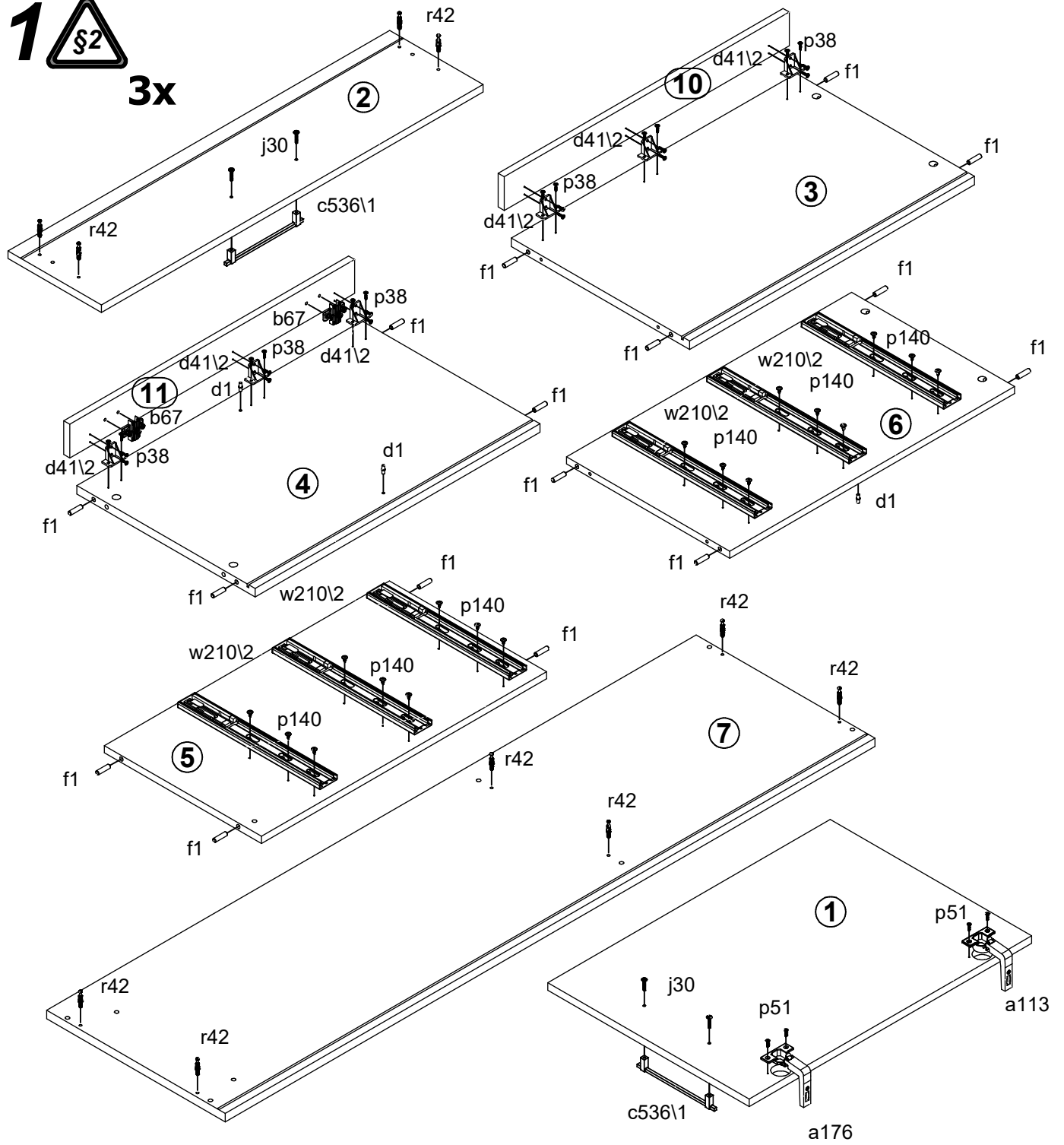
A	B	C	D	
1	S473-0004	696	496	2/3
2	S473-0005	940	230	2/3
3	S473-1007	702	439	1/3
4	S473-1008	702	439	1/3
5	S473-1009	702	387	1/3
6	S473-1010	702	402	1/3
7	S473-2003	1600	440	1/3
8	S473-2004	1600	440	1/3
9	S473-3002	551	386	2/3
10	S473-5002	702	72	2/3
11	S473-5003	702	72	2/3
12	S473-9005	884	357	2/3
13	S473-9301	712	1007	2/3
14	S473-9302	712	565	2/3
15	ZK3-5141	874	127	2/3
16	ZK4-513	350	140	2/3
17	ZK4-514	350	140	2/3



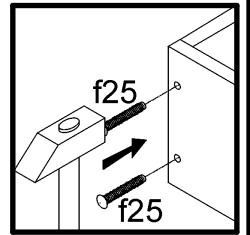
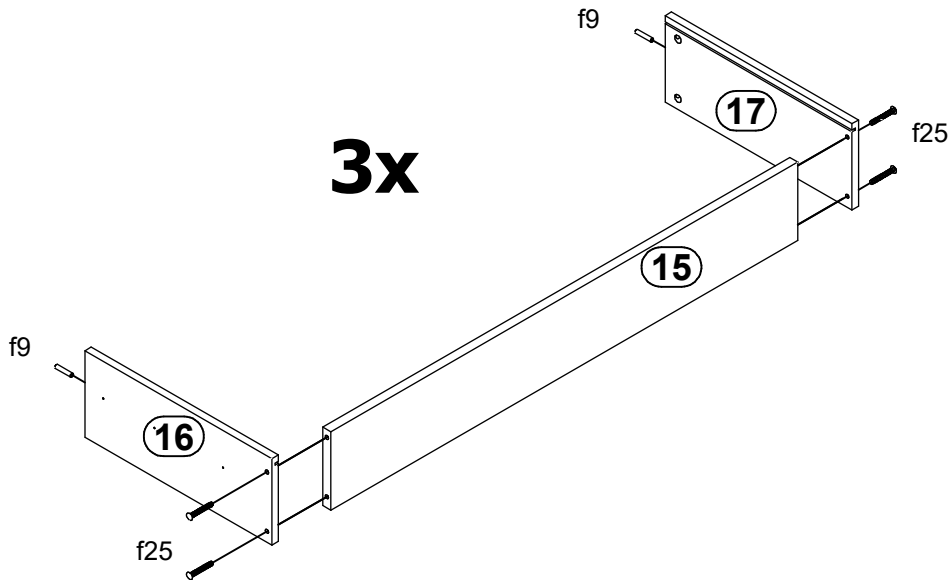
1x a113	1x a176	2x b67	4x c536/1	4x d1	6x d41/2	6x e1	8x e16	16x f1
12x f25	6x f9	28x j173	8x j30	1x k133/52L	1x k133/52P	2x k133/53	1x k133/62	2x k133/63
2x k133/64	2x k133/65	1x k148/1	1x k148/3	12x l2	4x n108	36x p140	3x p25	3x p35
47x p38	4x p51	4x p55	6x r1	12x r15	18x r42	3x t35	6x w210/1	6x w210/2
2x s68	1x z1	1x z22	1x n26/1					

1 

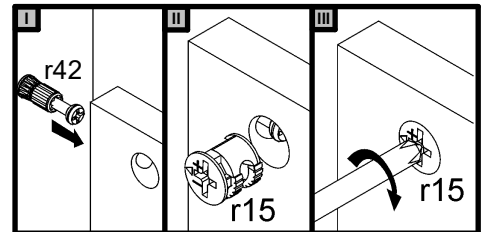
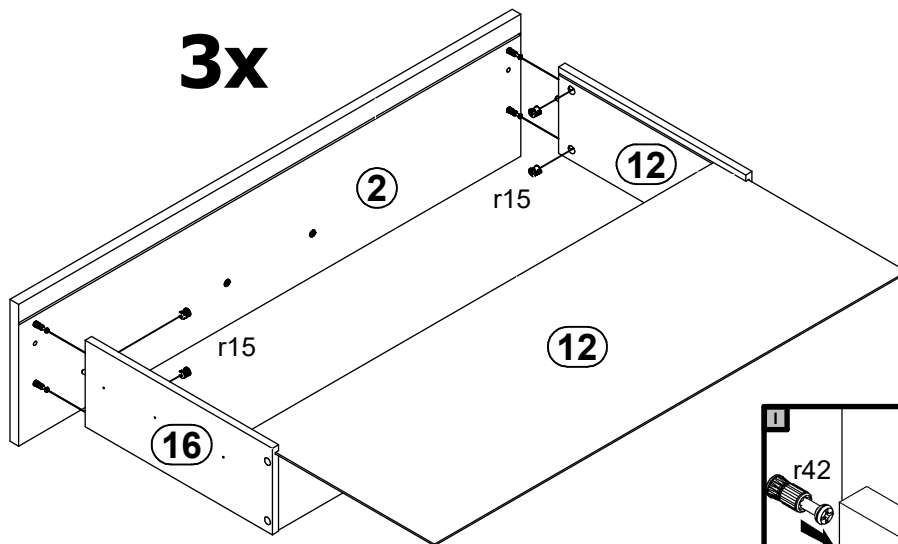
3x



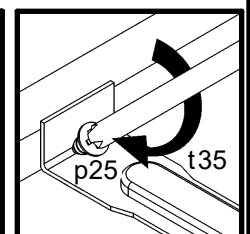
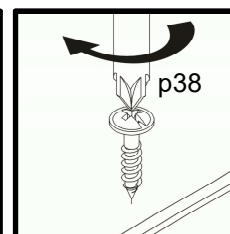
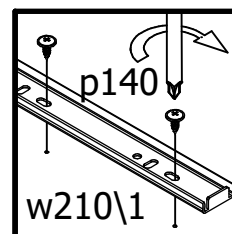
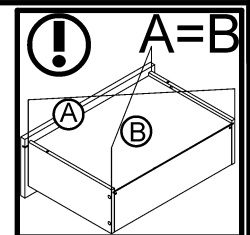
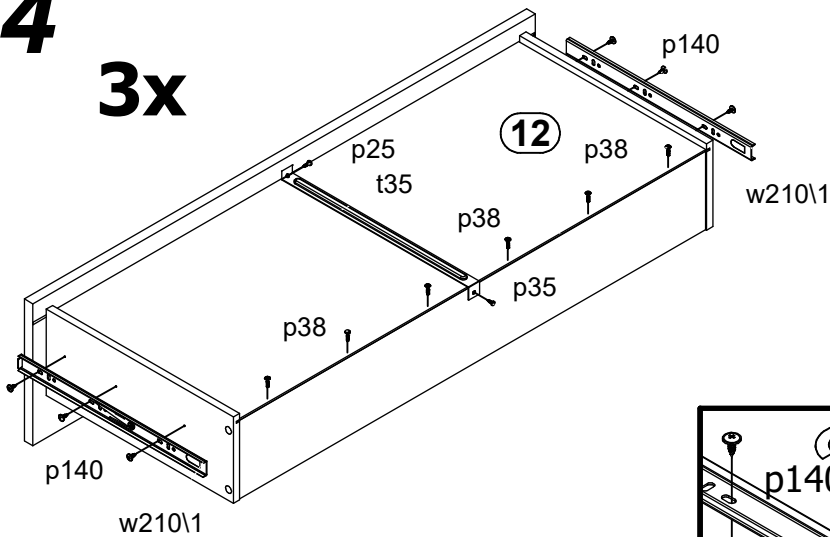
# 2



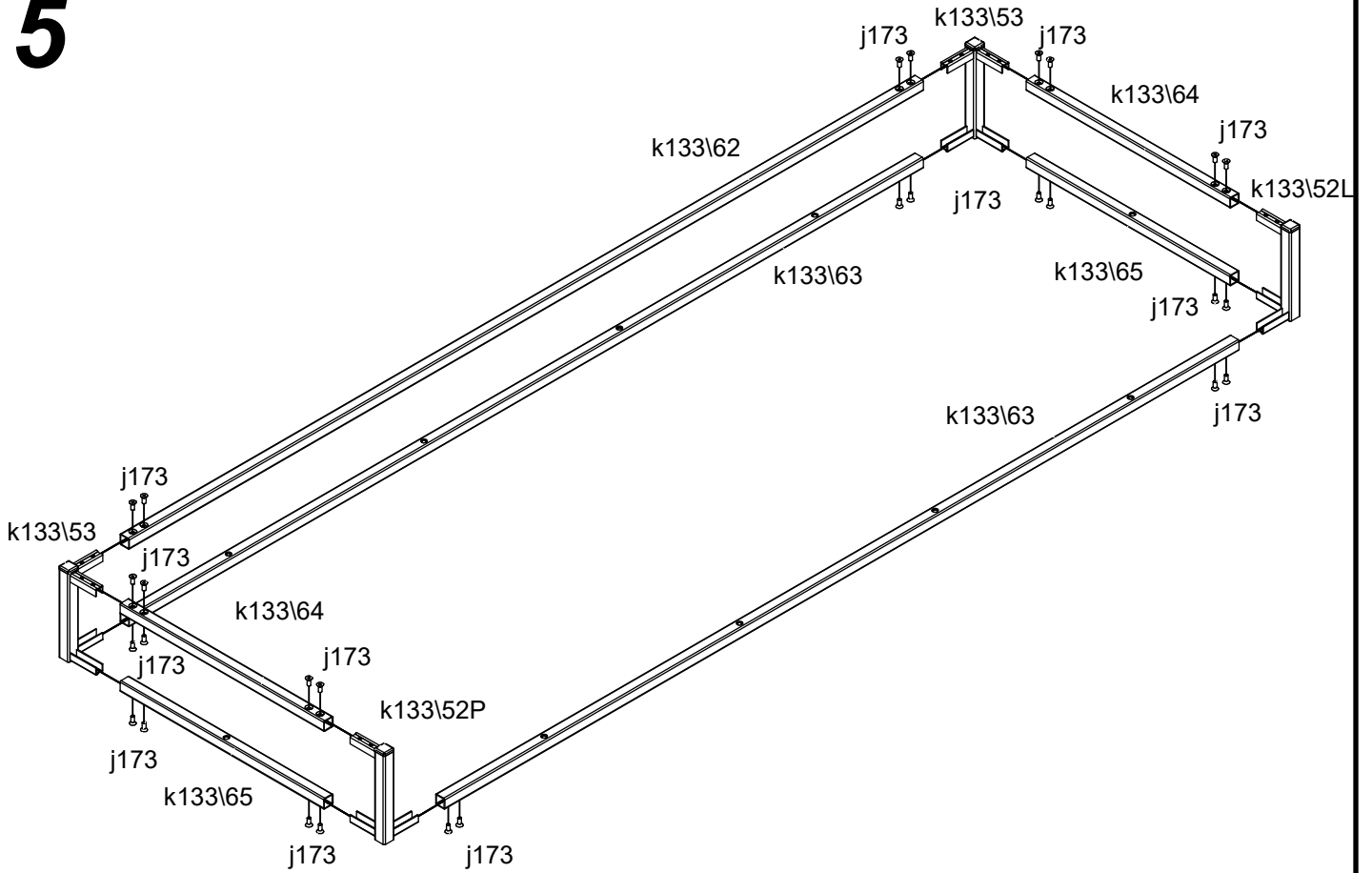
# 3



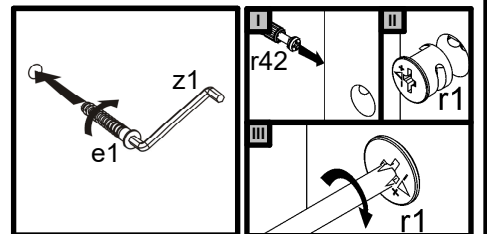
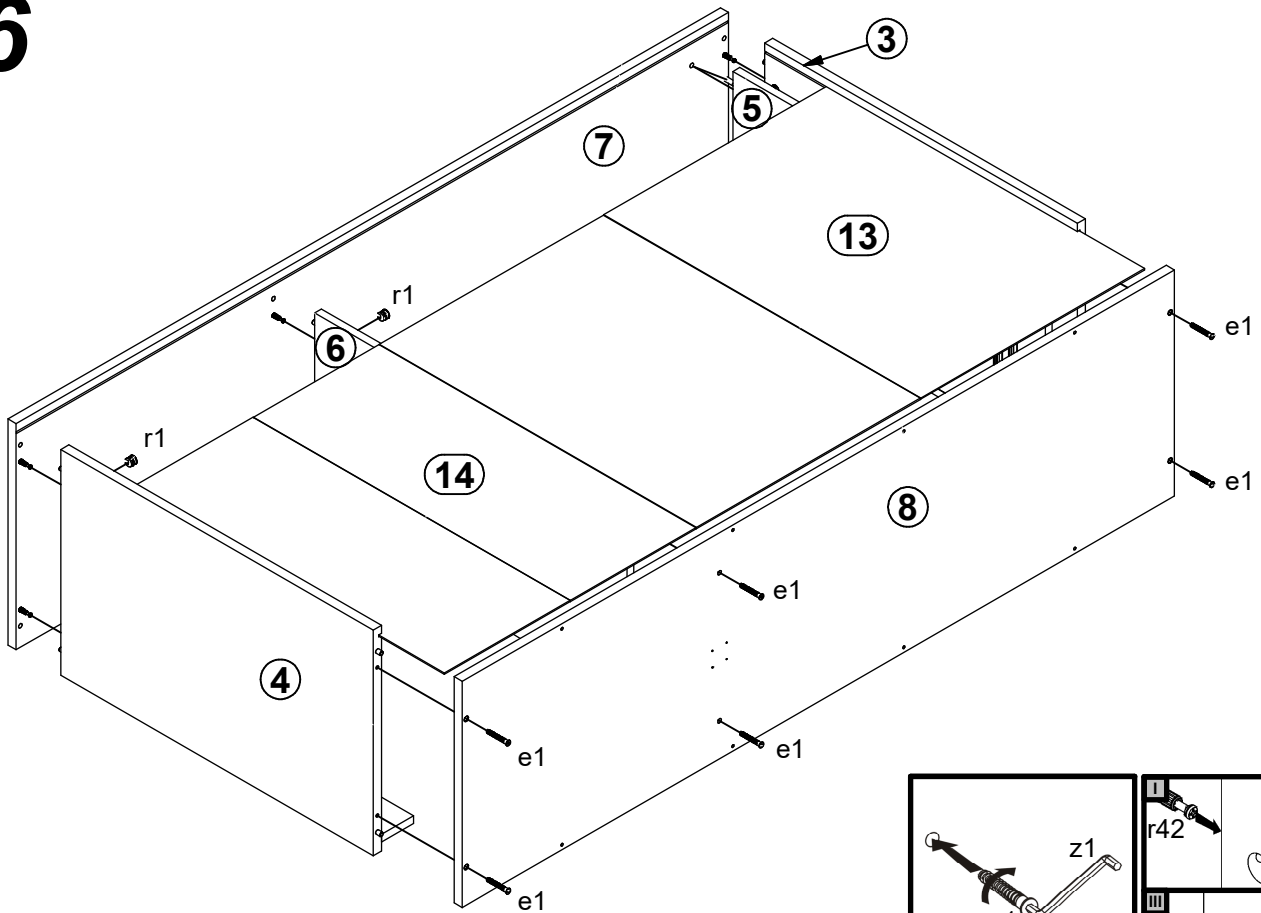
# 4



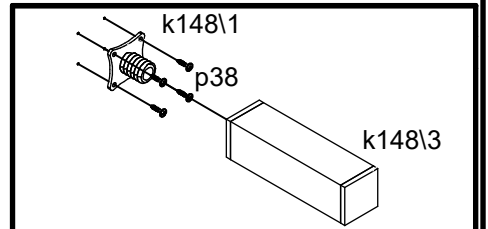
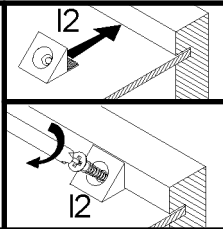
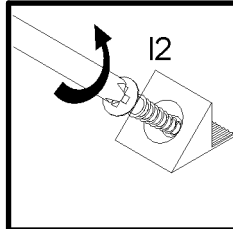
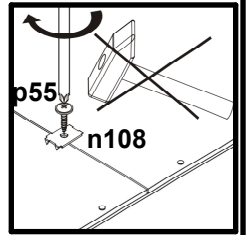
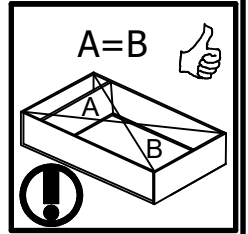
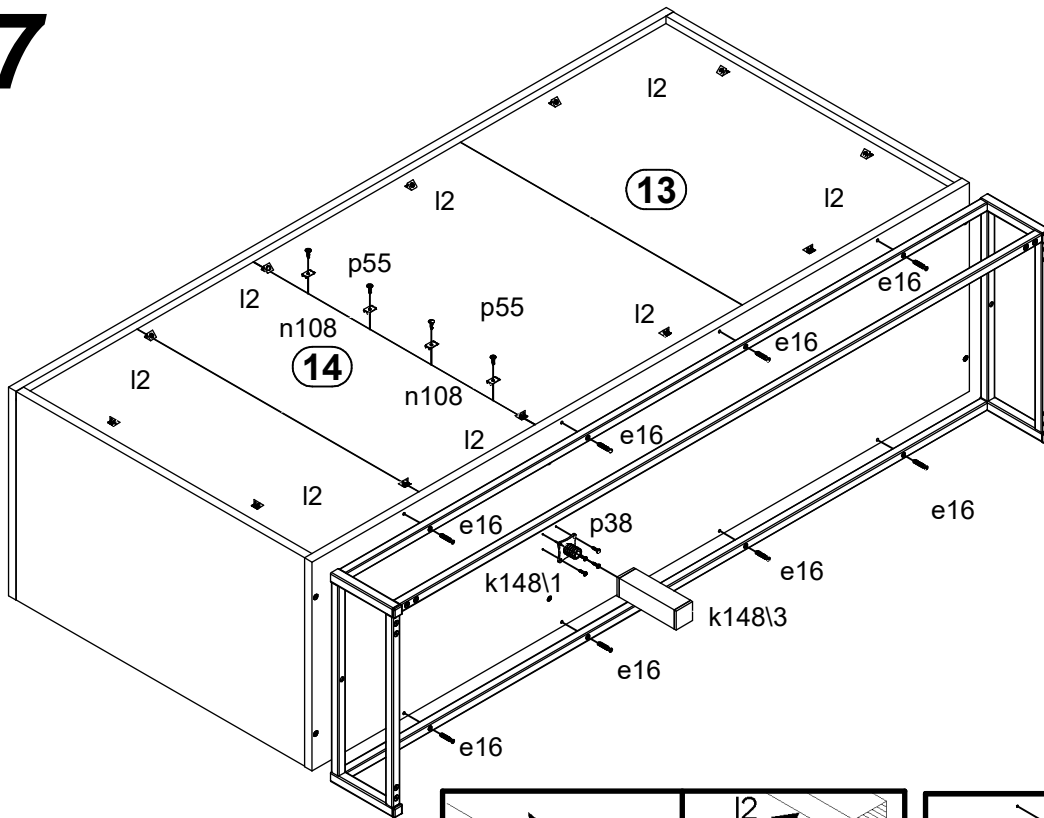
# 5



# 6



# 7



# 8

