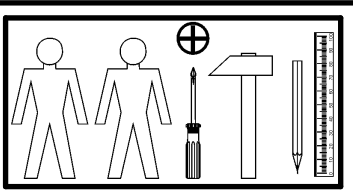
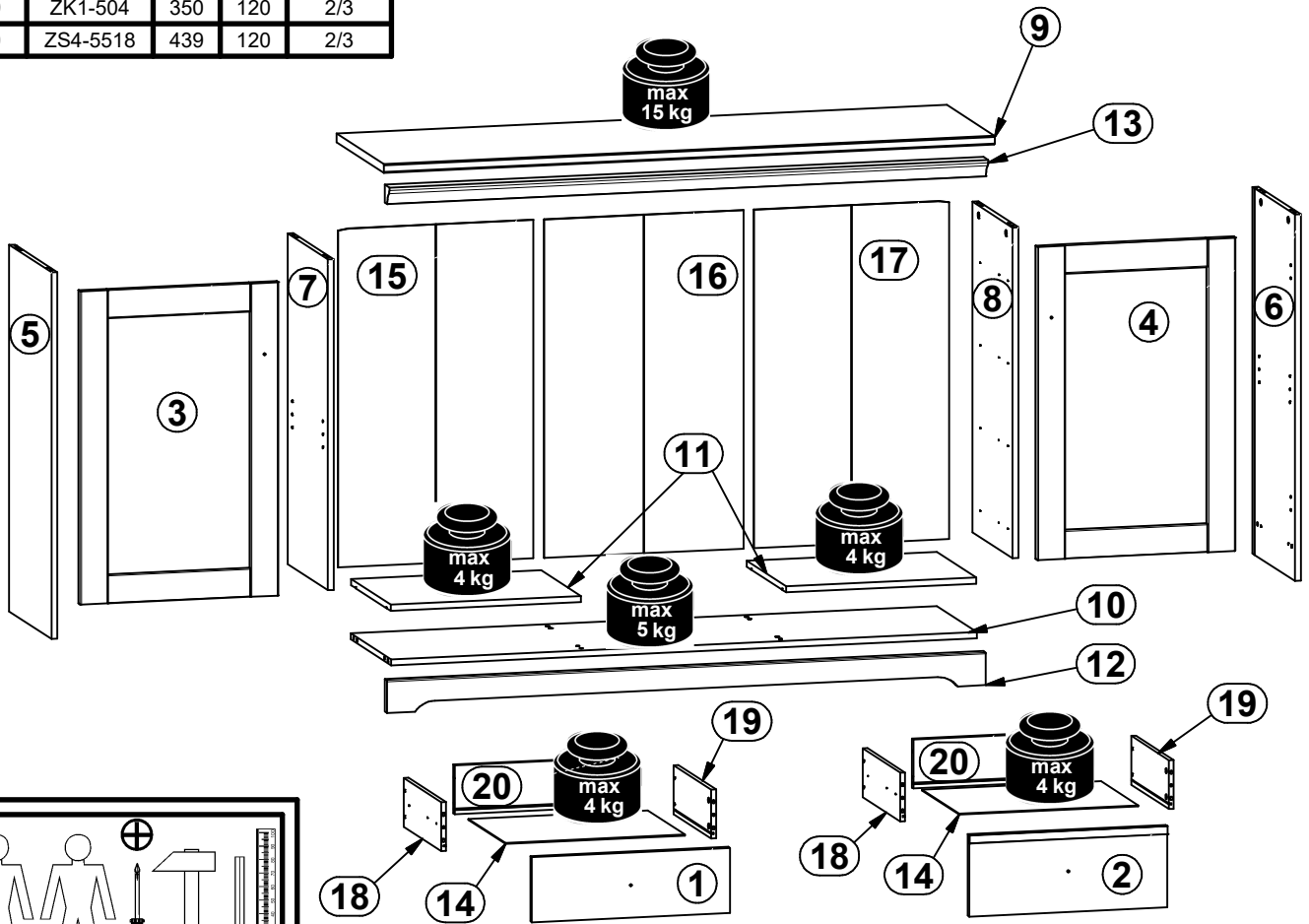
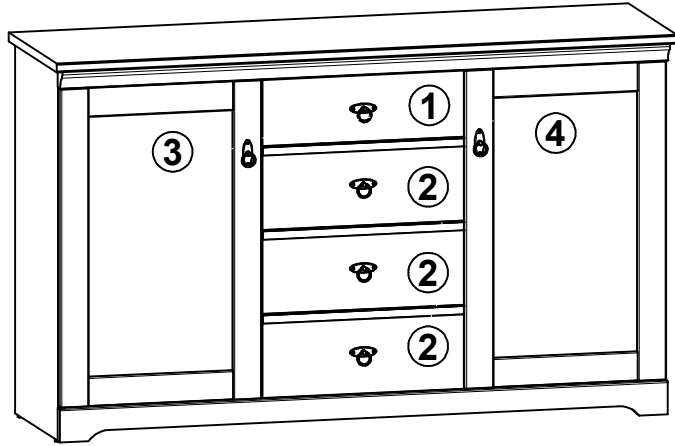


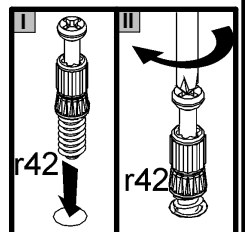
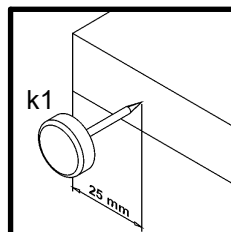
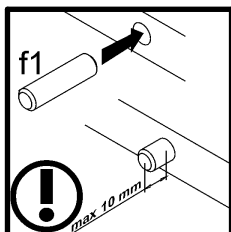
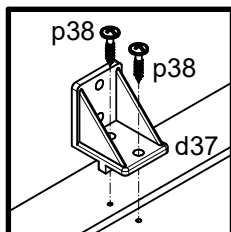
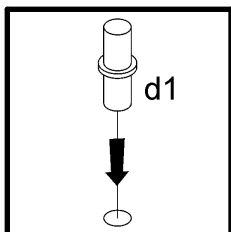
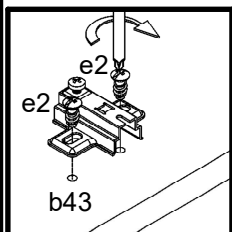
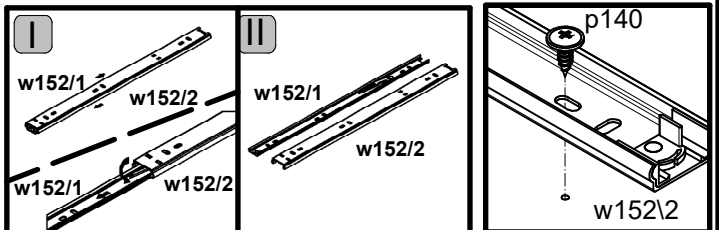
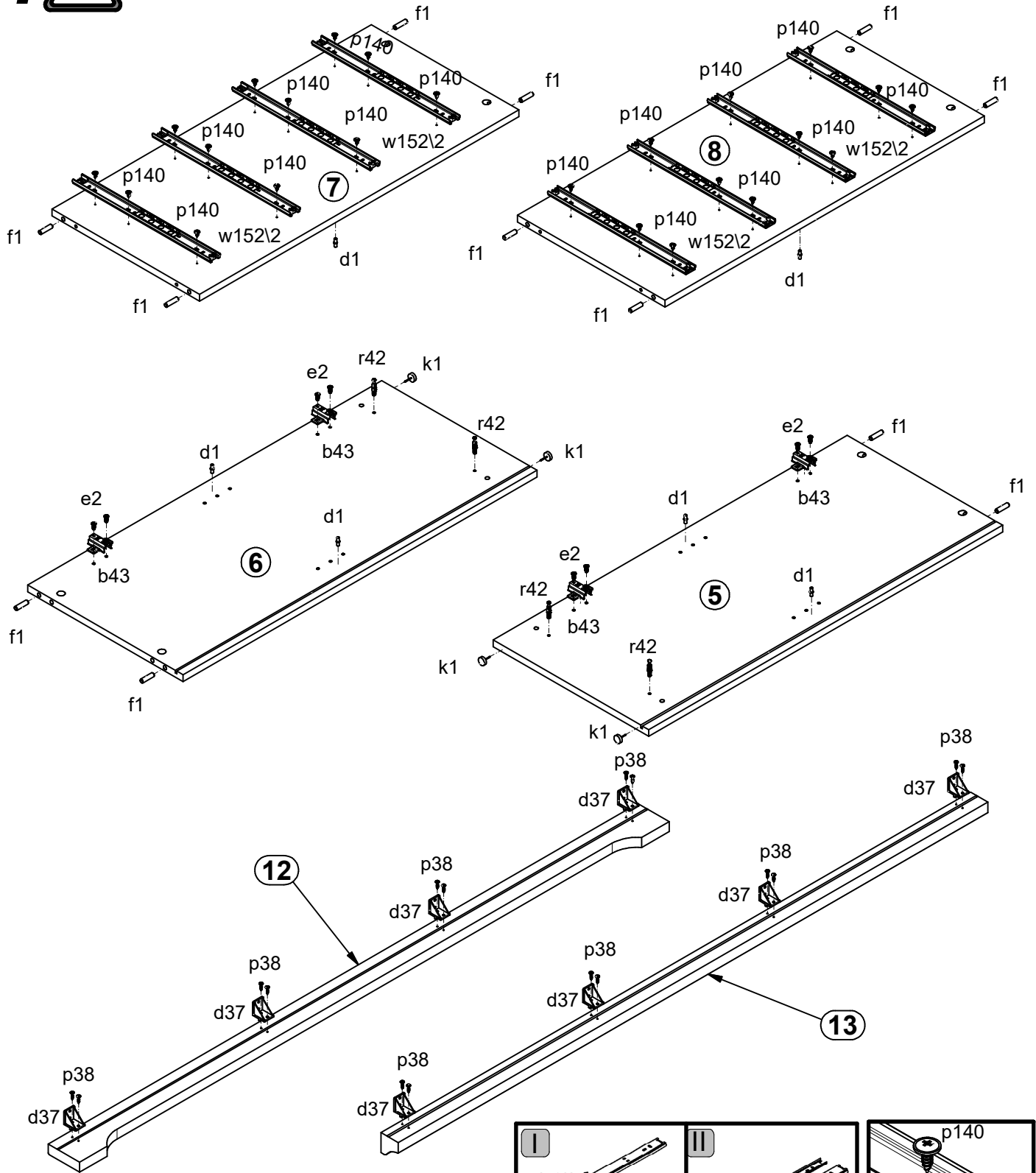
A	B	C	D	
1	S405-0001	496	160	3/3
2	S405-0002	496	200	3/3
3	S405-0003	769	496	3/3
4	S405-0004	769	496	3/3
5	S405-1001	900	395	1/3
6	S405-1002	900	395	1/3
7	S405-1003	812	375	1/3
8	S405-1004	812	375	1/3
9	S405-2001	1529	445	2/3
10	S405-3001	1467	375	2/3
11	S405-3002	476	370	2/3
12	S405-5001	1499	80	2/3
13	S405-5002	1499	44	2/3
14	S405-9001	449	348	2/3
15	S405-9301	831	489	1/3
16	S405-9302	831	499	1/3
17	S405-9306	831	489	1/3
18	ZK1-503	350	120	2/3
19	ZK1-504	350	120	2/3
20	ZS4-5518	439	120	2/3



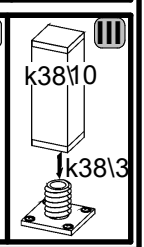
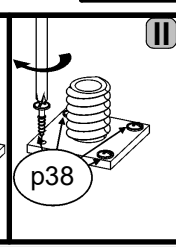
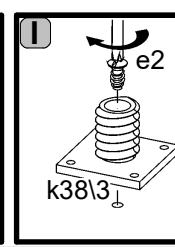
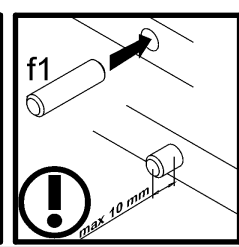
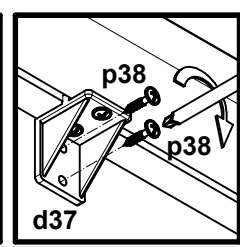
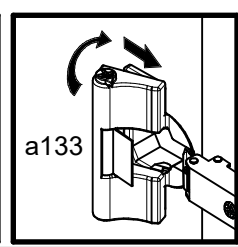
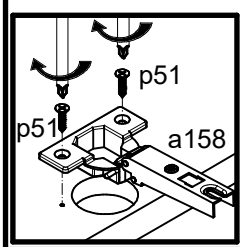
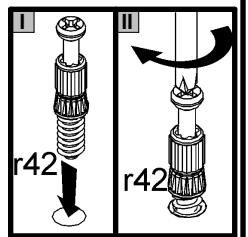
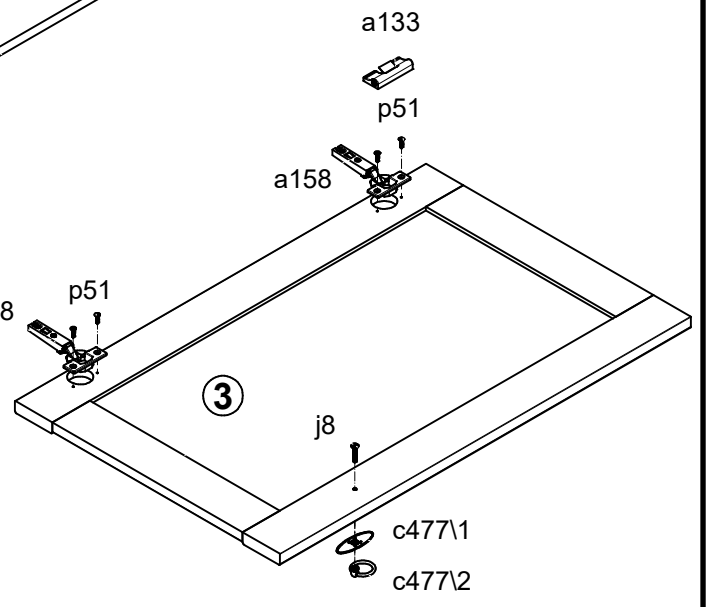
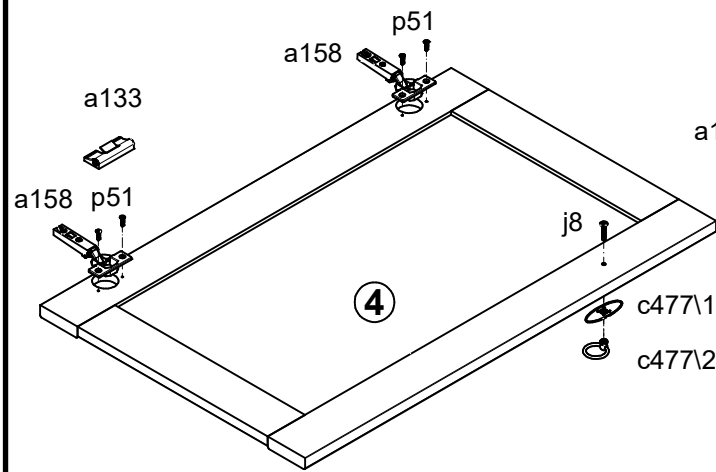
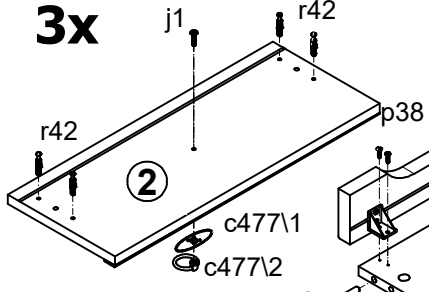
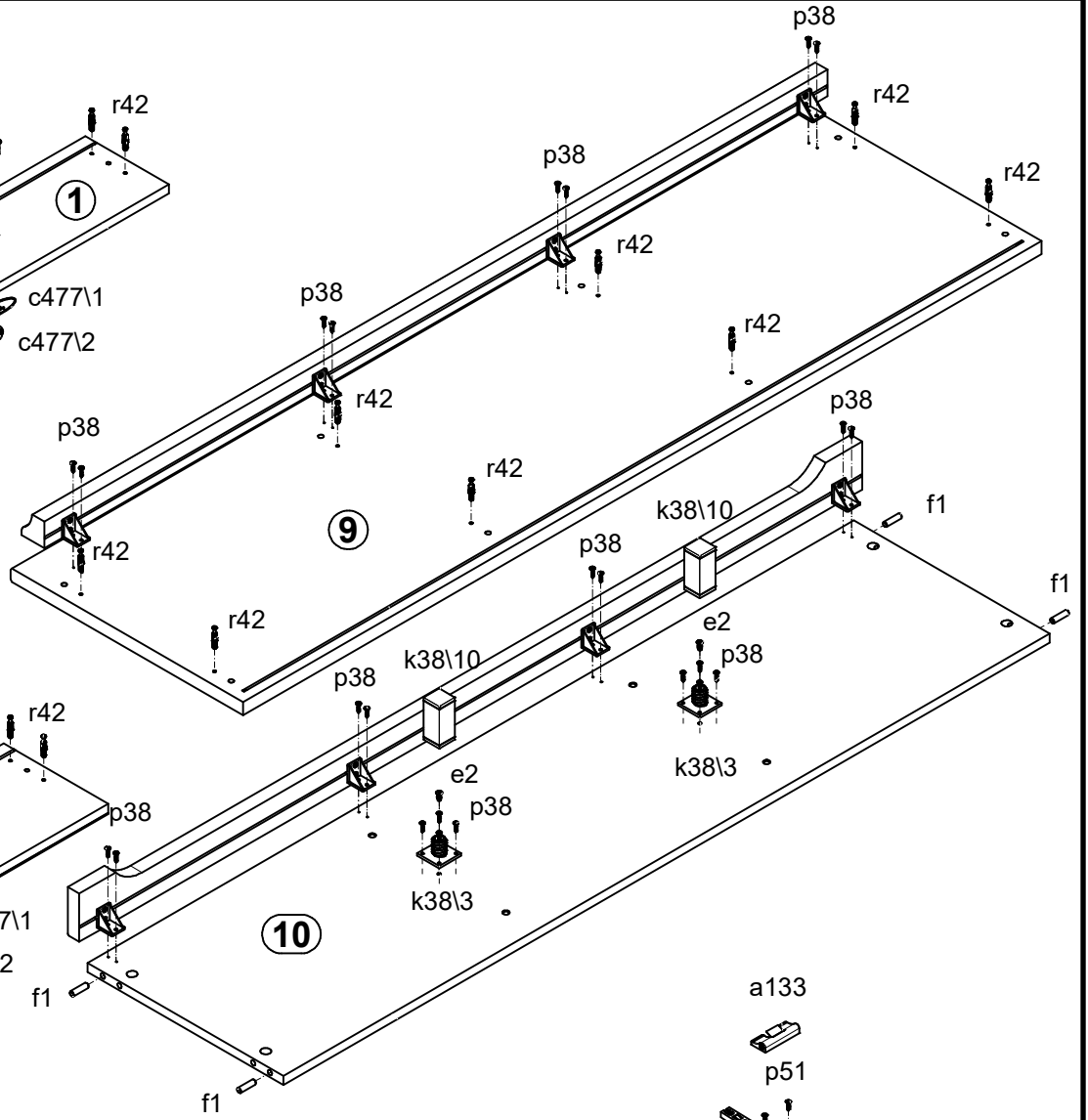
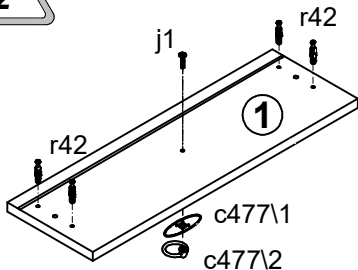
3x

2x a133	4x a158	4x b43	6x c477/1	6x c477/2	8x d1	8x d37	4x e1	10x e2
16x f1	16x f25	8x f9	4x j1	2x j8	4x k1	2x k38/10	2x k38/3	15x l1
12x i2	10x n108	48x p140	41x p38	8x p51	10x p55	12x r1	16x r15	28x r42
8x w152/1	8x w152/2	4x s2	1x z1	1x n26				

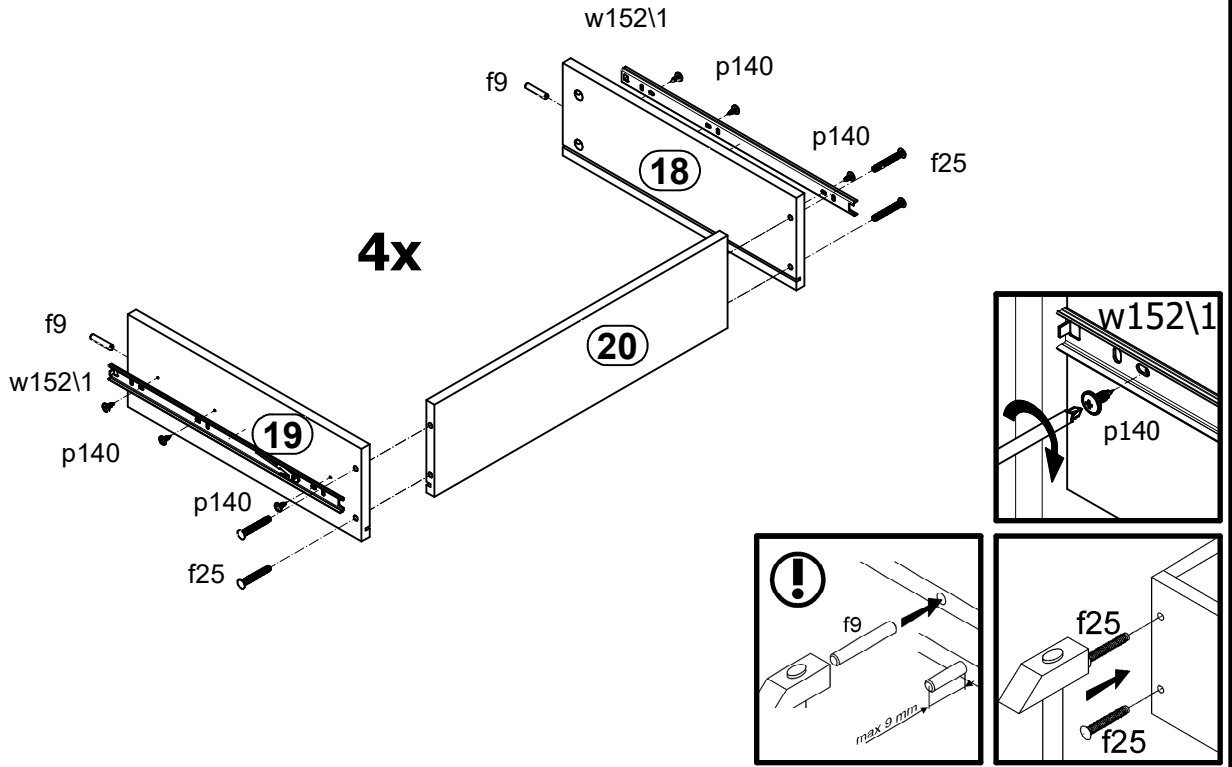
1 



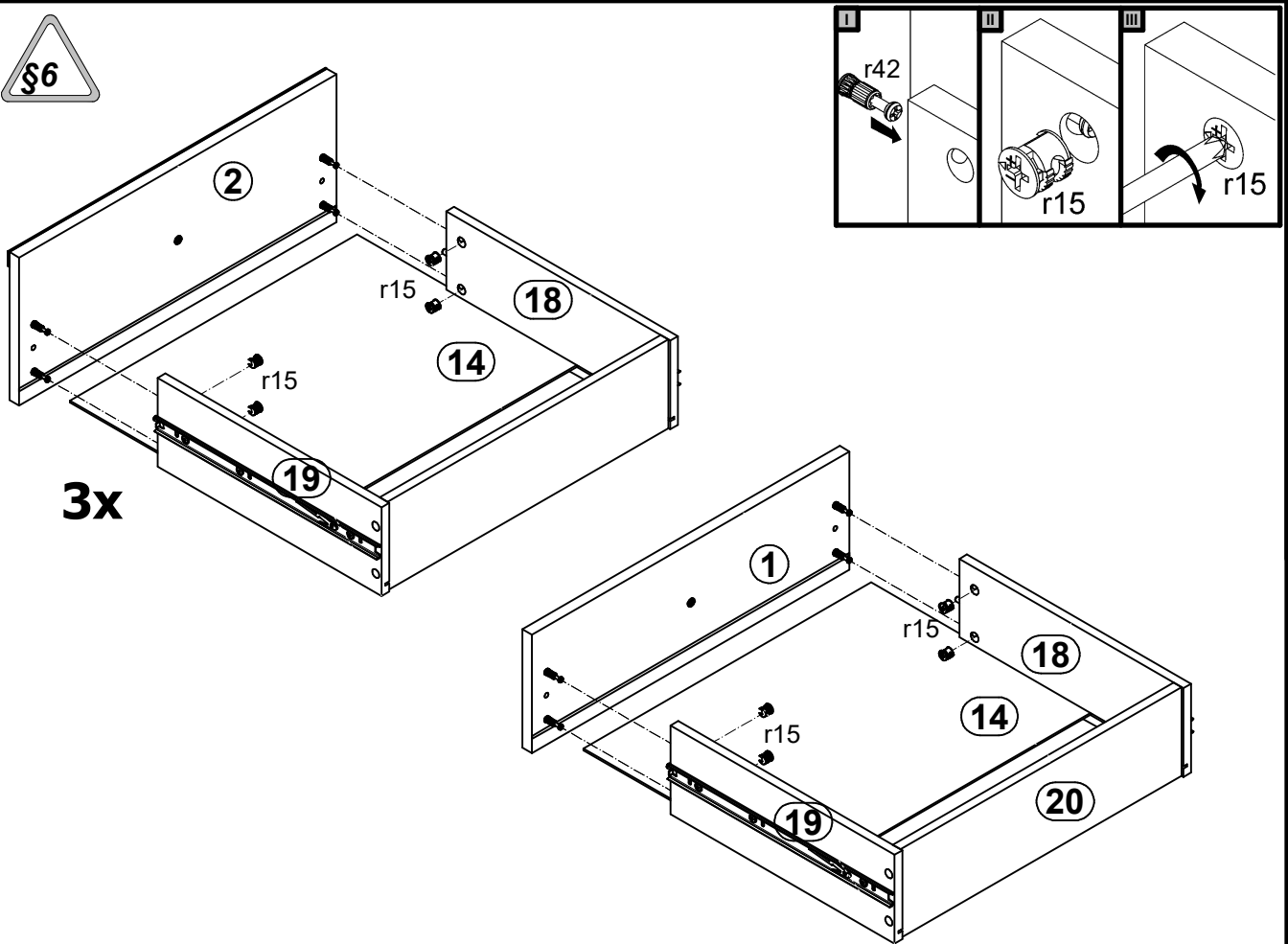
2



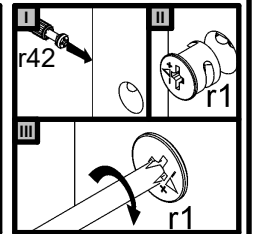
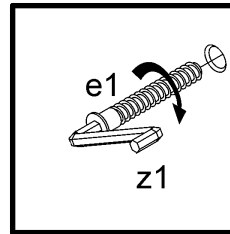
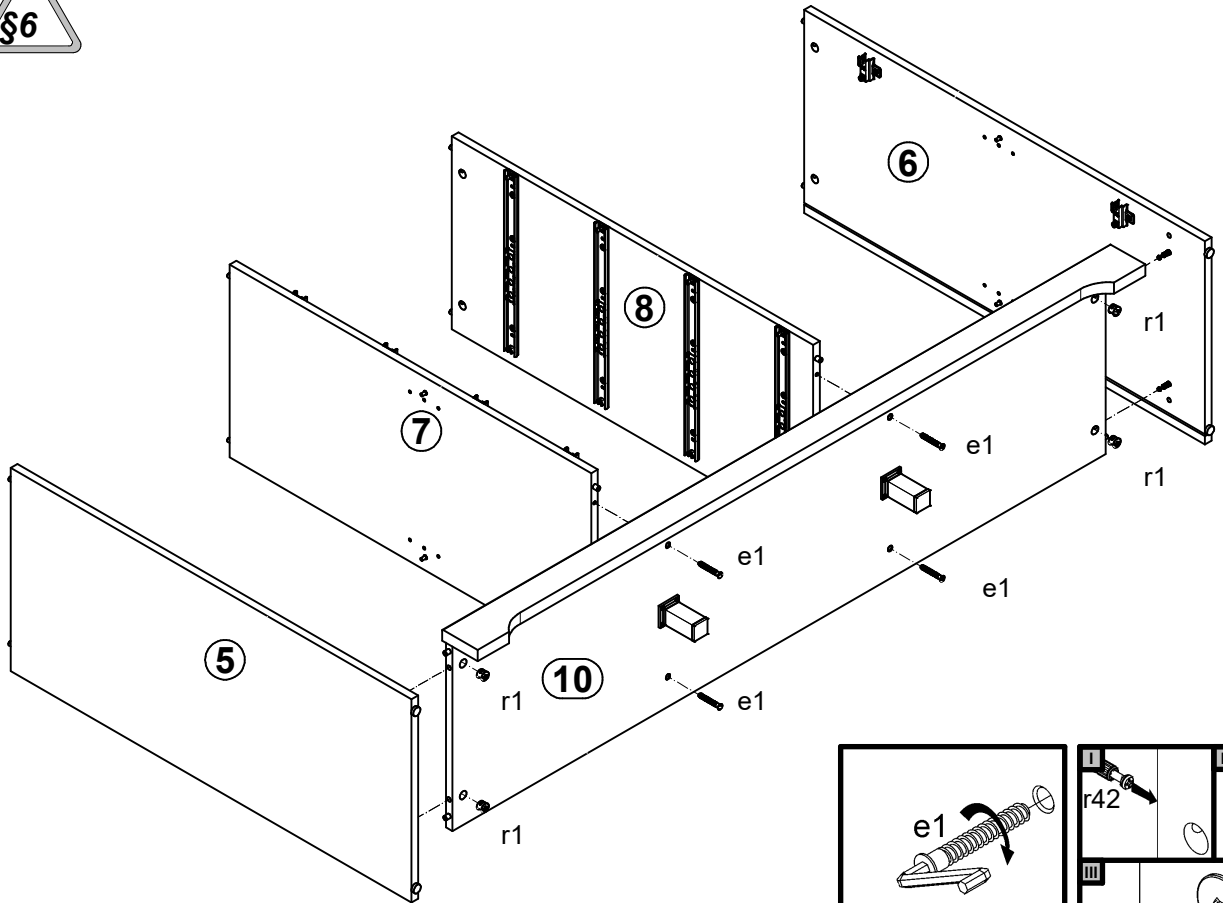
3



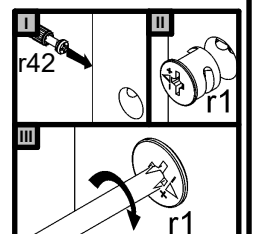
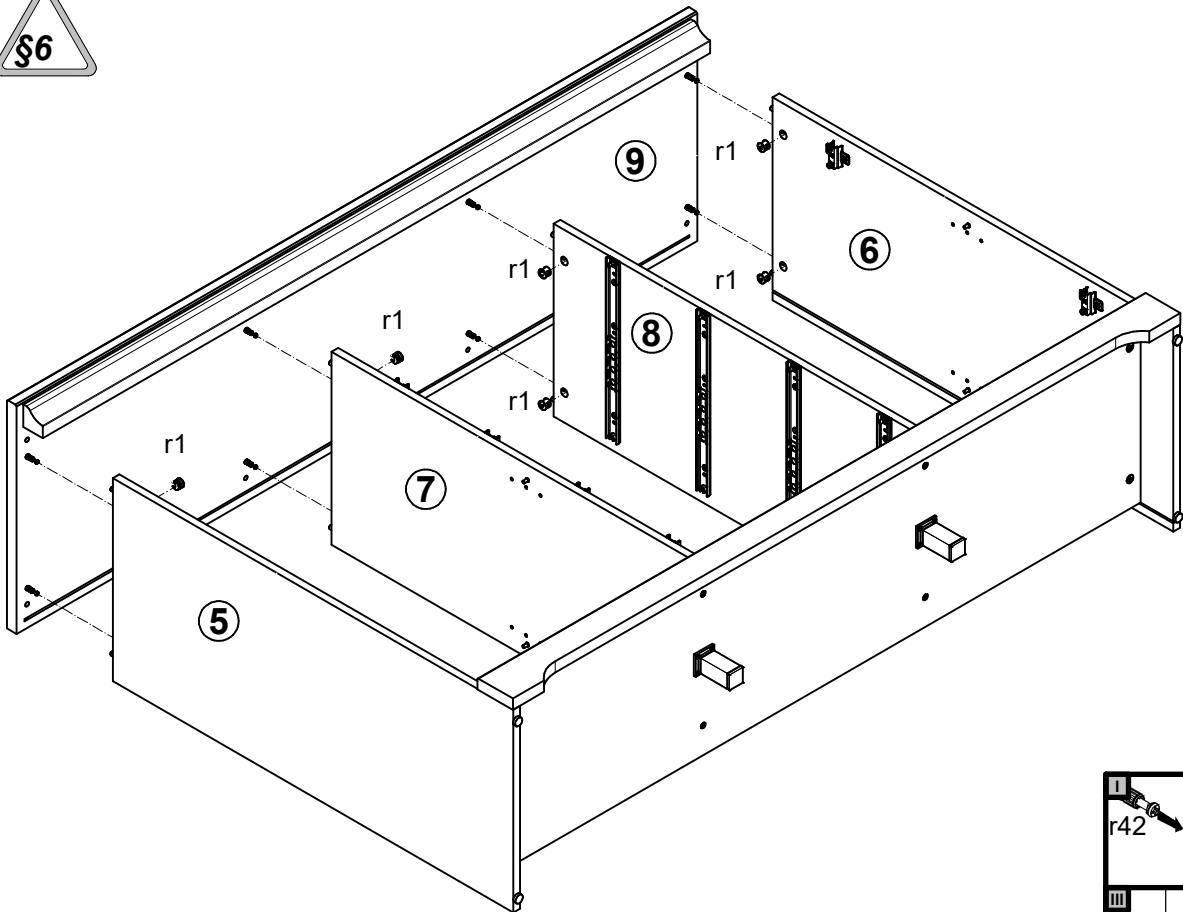
4



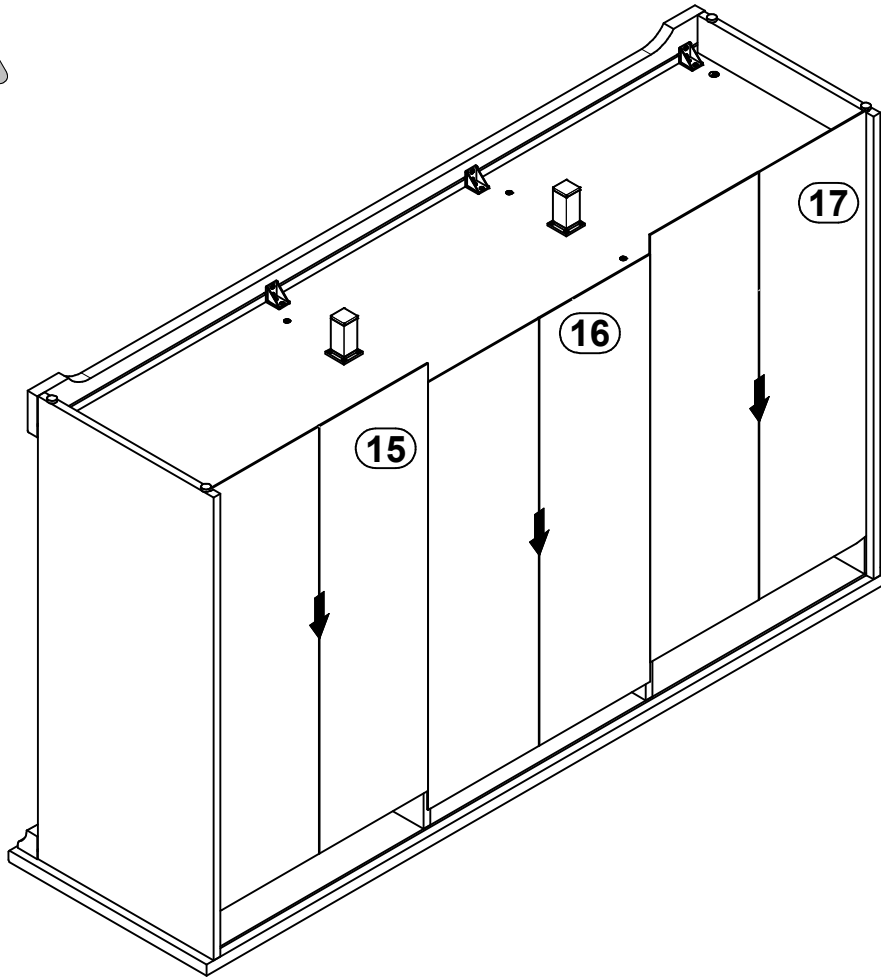
5



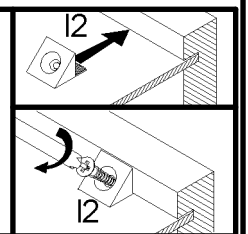
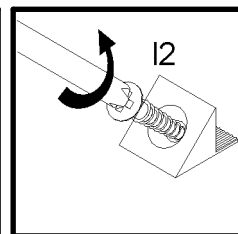
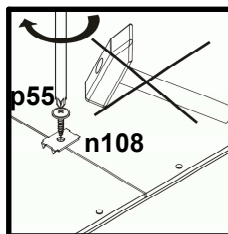
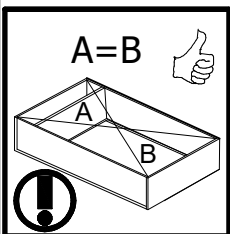
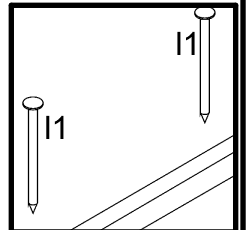
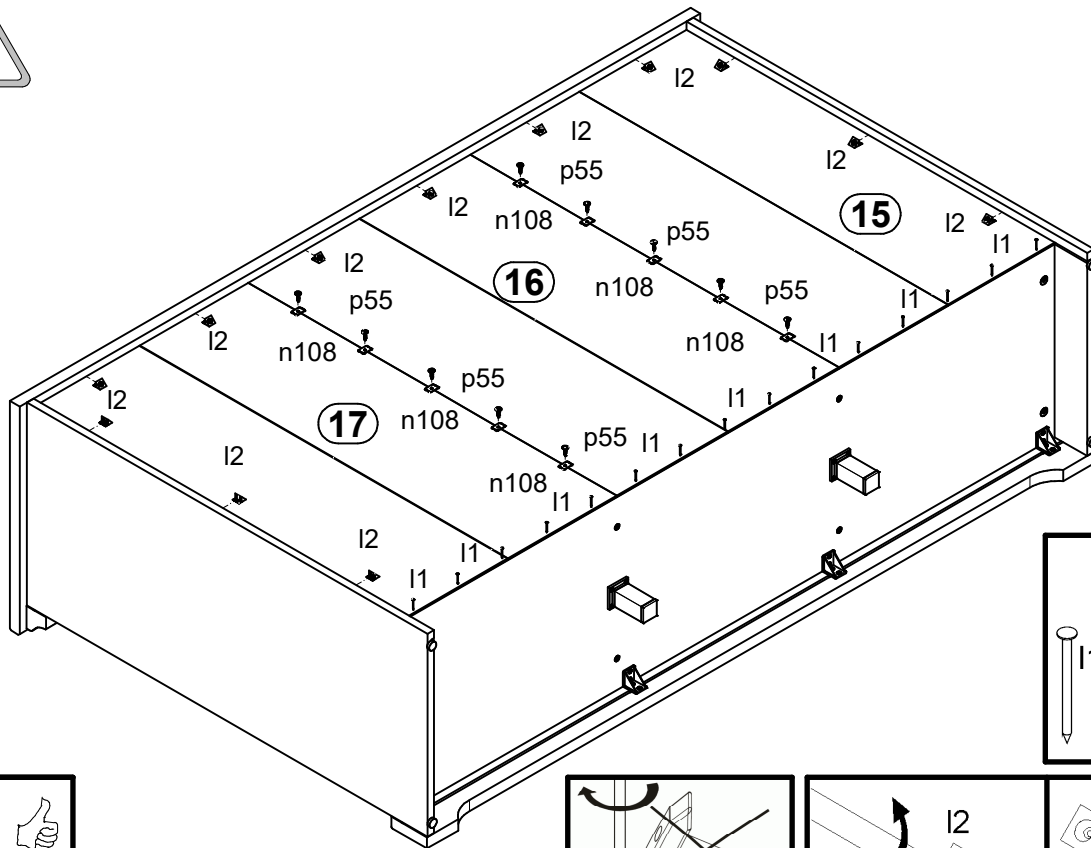
6



7



8



9

