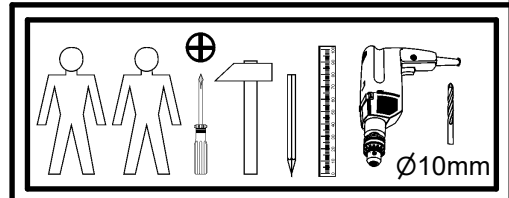
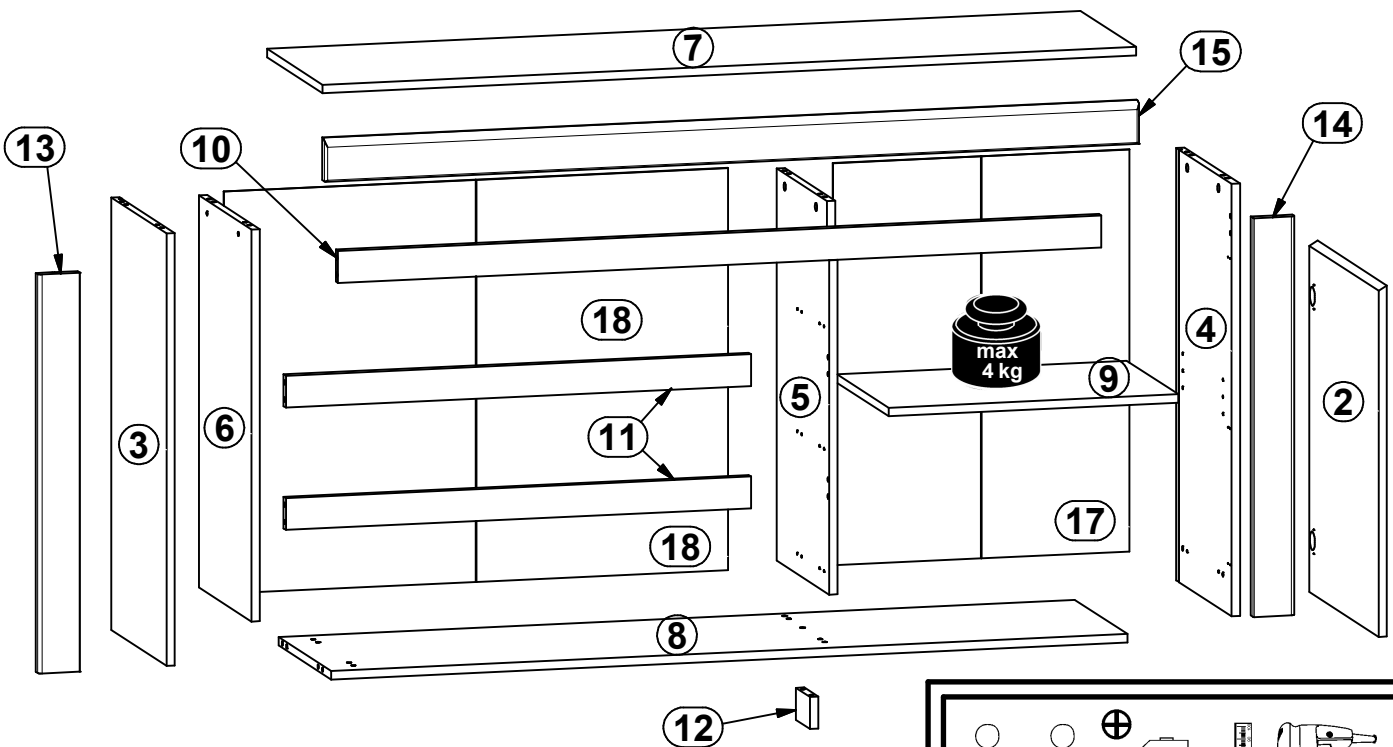
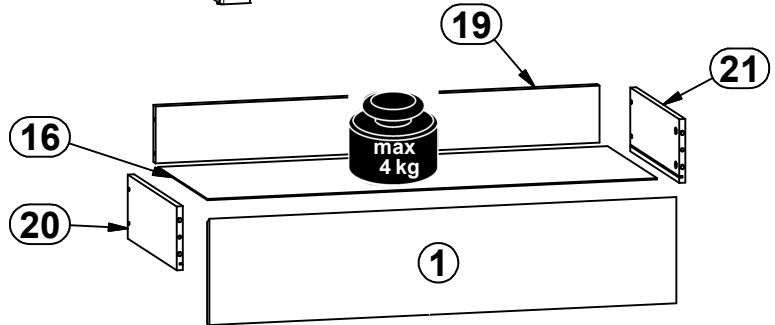
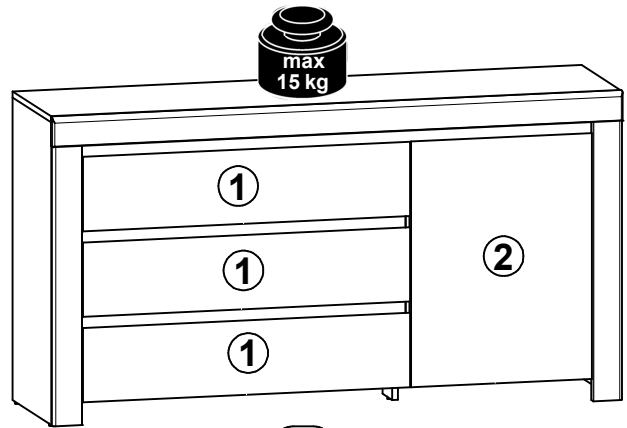
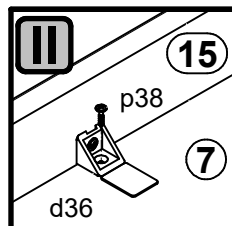
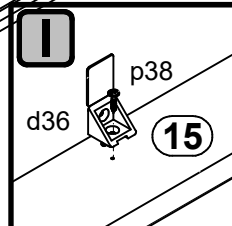
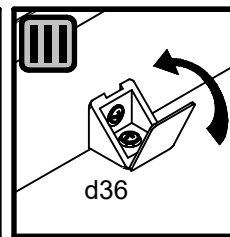
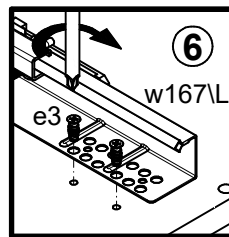
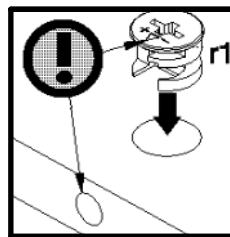
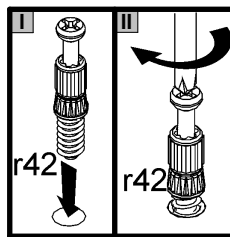
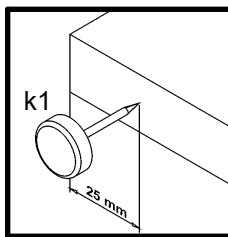
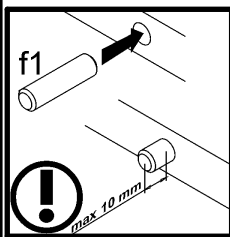
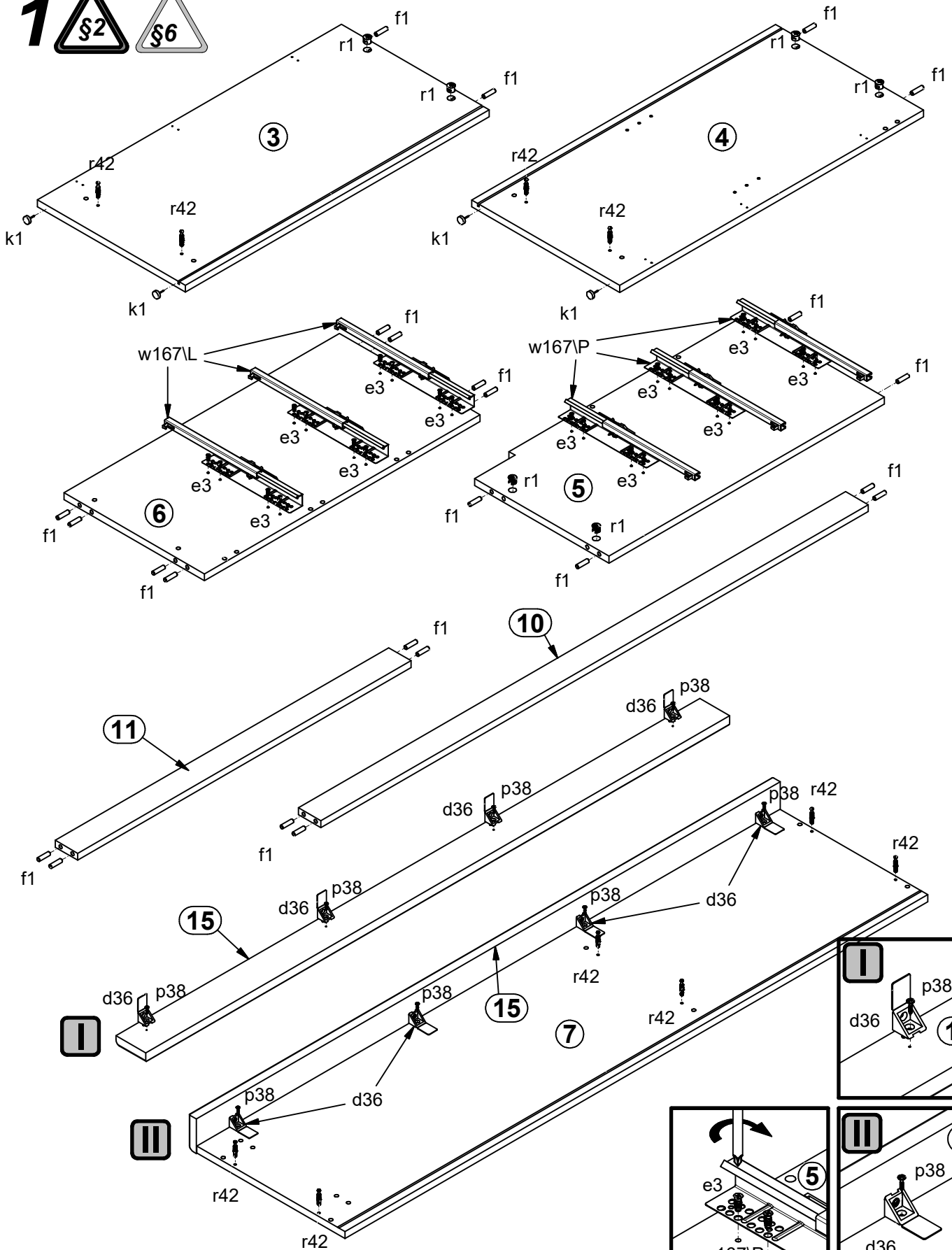


A	B	C	D	
1	S397-0001	896	200	3/3
2	S397-0002	660	496	3/3
3	S397-1001	813	396	1/3
4	S397-1002	813	396	1/3
5	S397-1003	737	376	1/3
6	S397-1004	737	376	1/3
7	S397-2001	1560	396	2/3
8	S397-3001	1527	376	2/3
9	S397-3002	556	370	1/3
10	S397-4001	1464	60	2/3
11	S397-4002	892	60	3/3
12	S397-5001	100	60	1/3
13	S397-5002	750	80	2/3
14	S397-5003	750	80	2/3
15	S397-5004	1562	80	2/3
16	S397-9001	862	354	1/3
17	S397-9301	756	569	1/3
18	S397-9302	967	756	3/3
19	ZQ2-1550	852	107	3/3
20	ZQ3-507	350	120	1/3
21	ZQ3-508	350	120	1/3

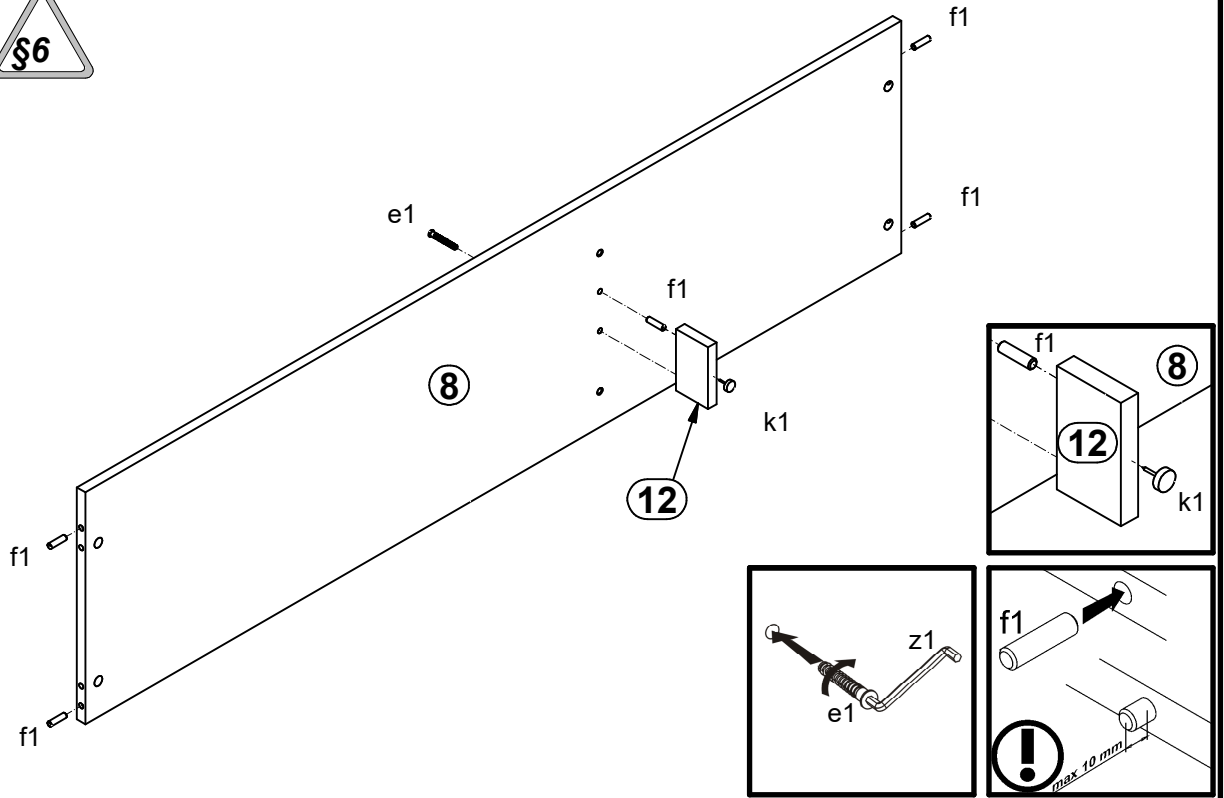


2x a132	1x a133	2x b43	4x Ø5x17 mm d1	4x d36	6x d37	3x Ø7x50 mm e1	4x Ø6,3x13 mm e2	24x Ø6x13 mm e3
33x Ø8x30 mm f1	6x Ø6x30 mm f9	12x Ø6,5x40 mm f25	5x k1	20x l1	12x l2	6x 20x13x3,5,1 n108	3x Ø3,5x16 mm p25	3x Ø3,5x10 mm p35
50x Ø3,5x16 mm p38	4x Ø3,5x15 mm p51	6x Ø2,9x16 mm p55	10x Ø15x12 mm #16 r1	12x Ø12x10,5 mm #12 r15	22x 20/11 r42	3x 350 mm t35	3x 350mm w167L	3x 350mm w167P
2x Ø16 s2	1x 4 mm z1						1x n26/1	1x Ø3,5x16 mm p38

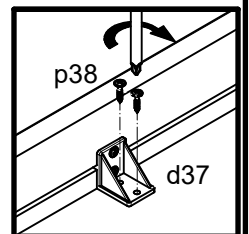
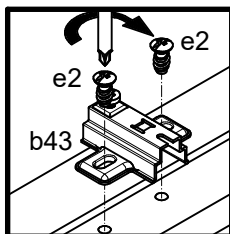
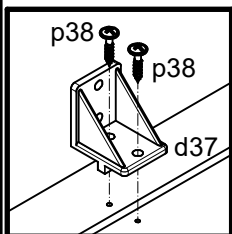
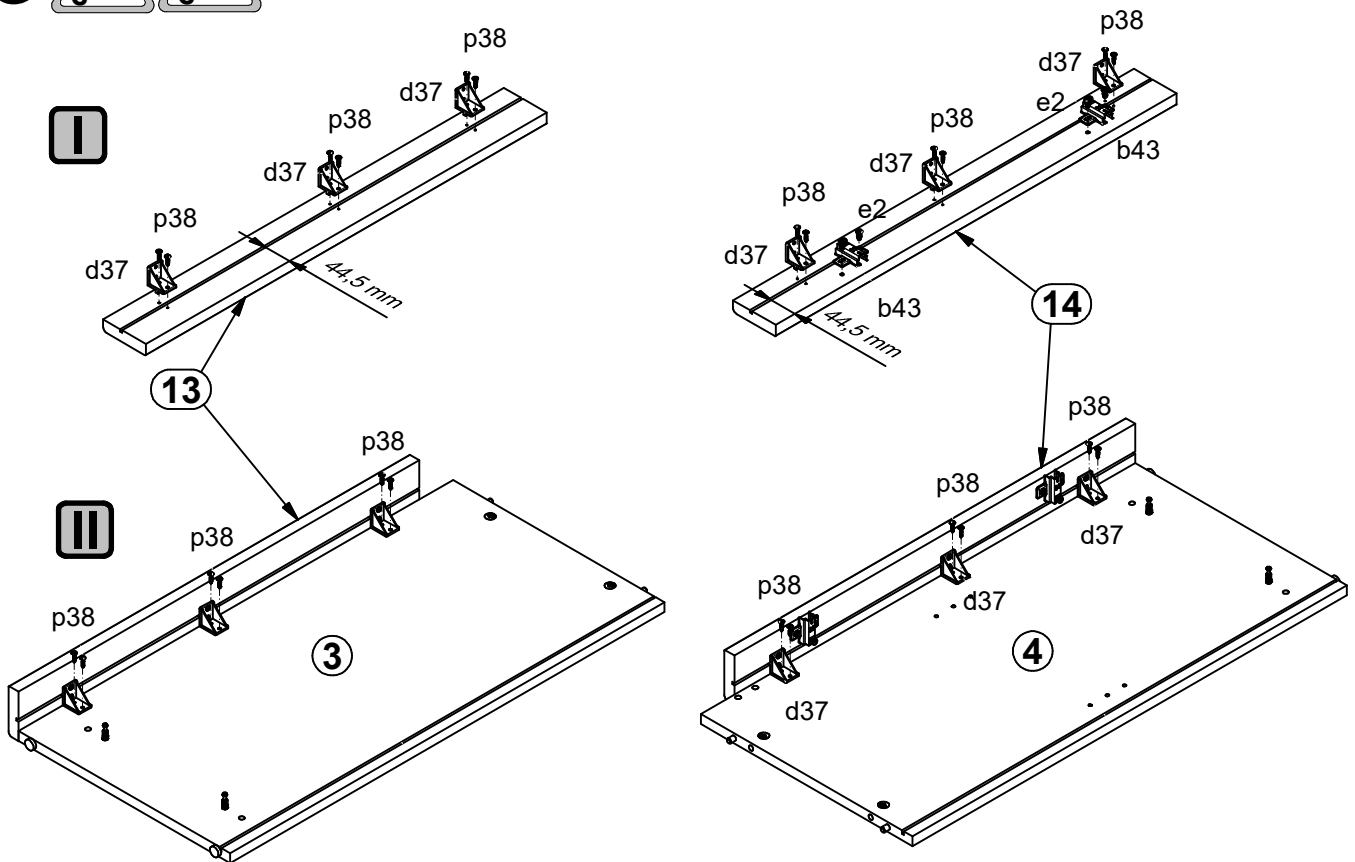
1  

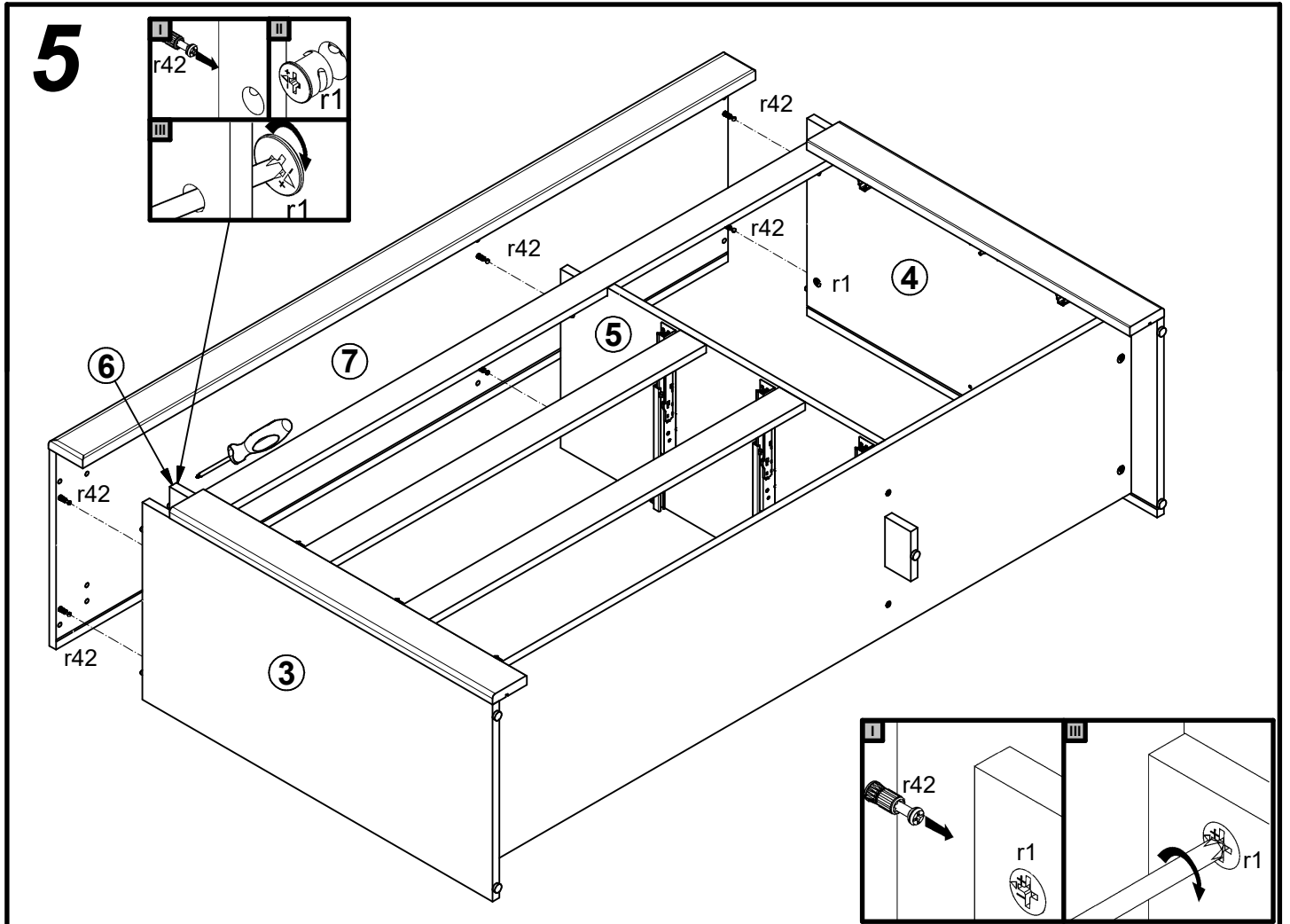
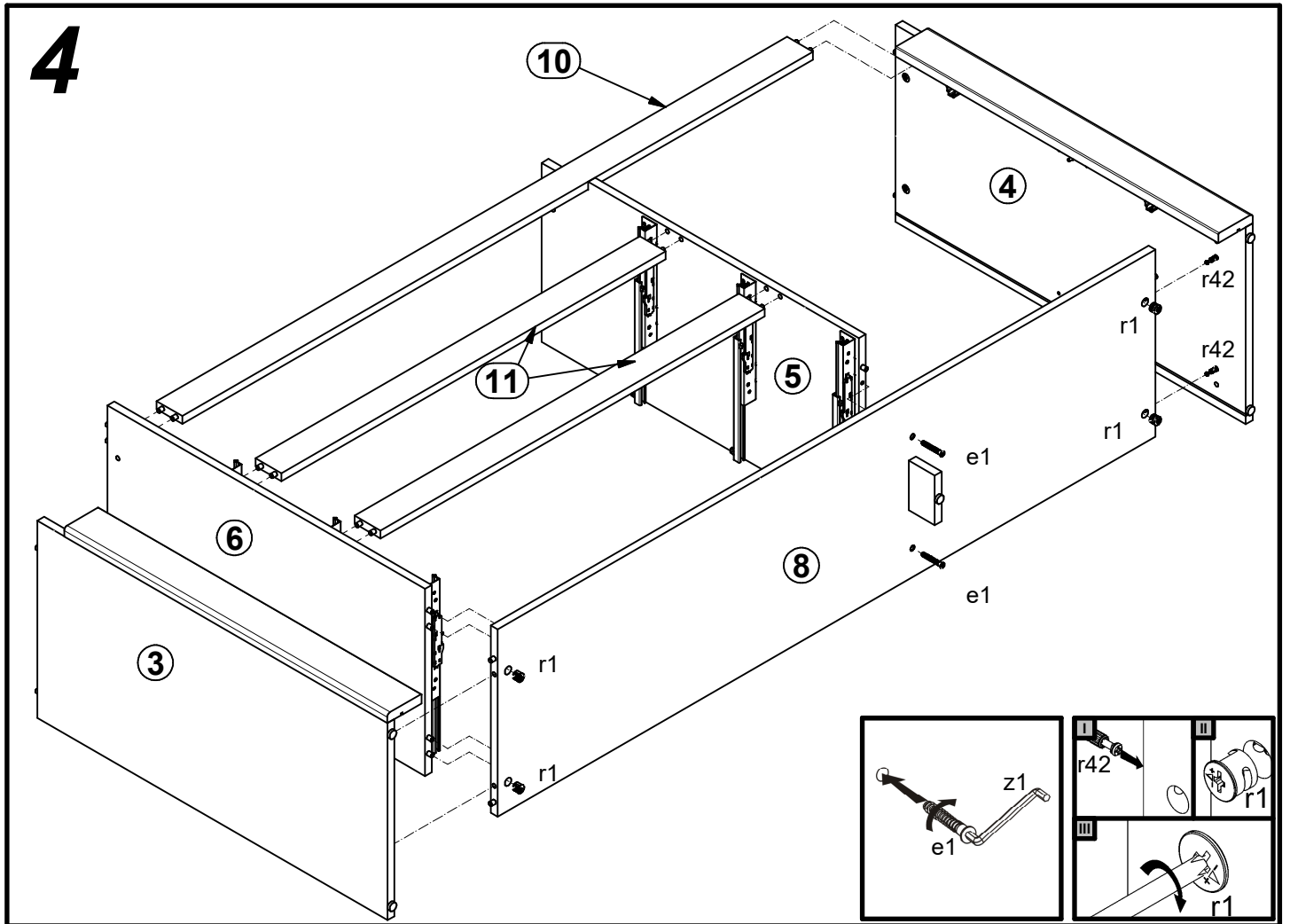


2

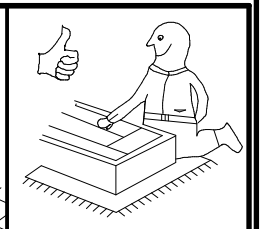
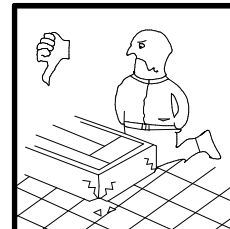
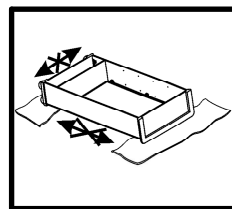
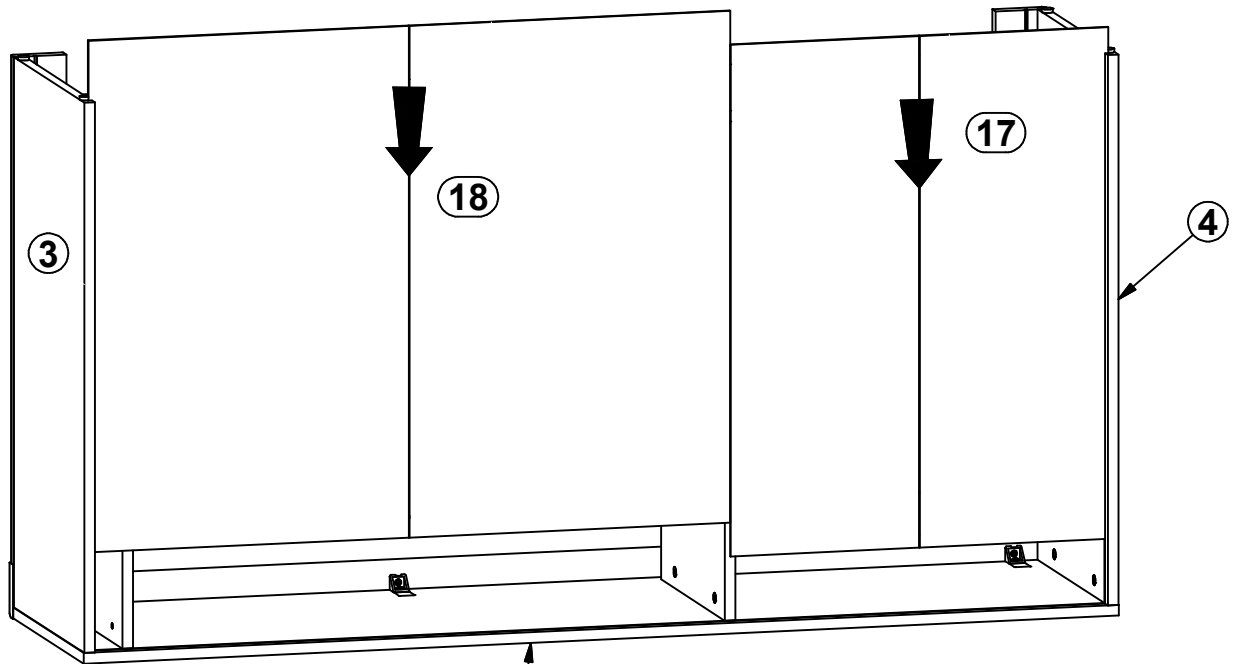


3

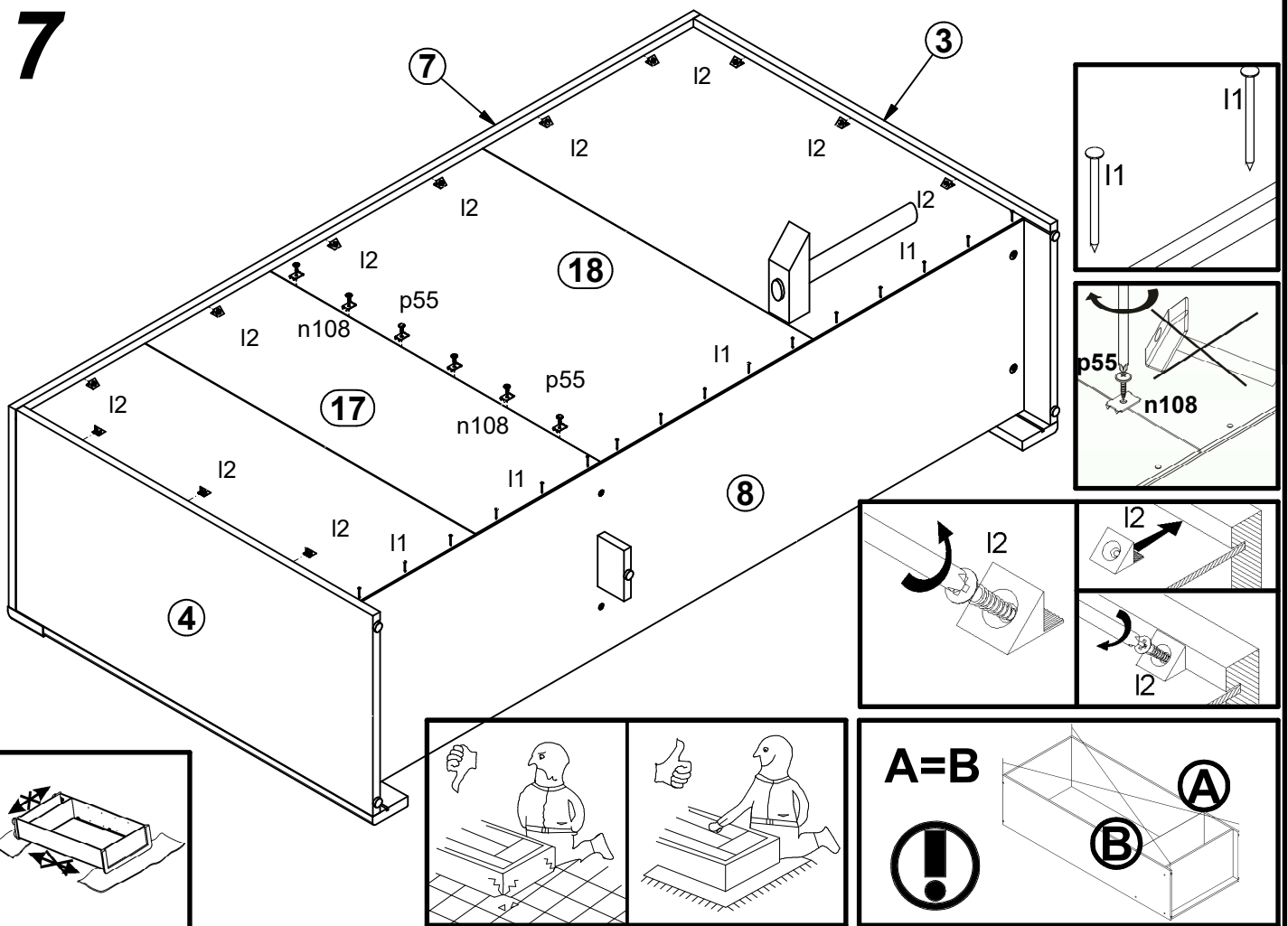


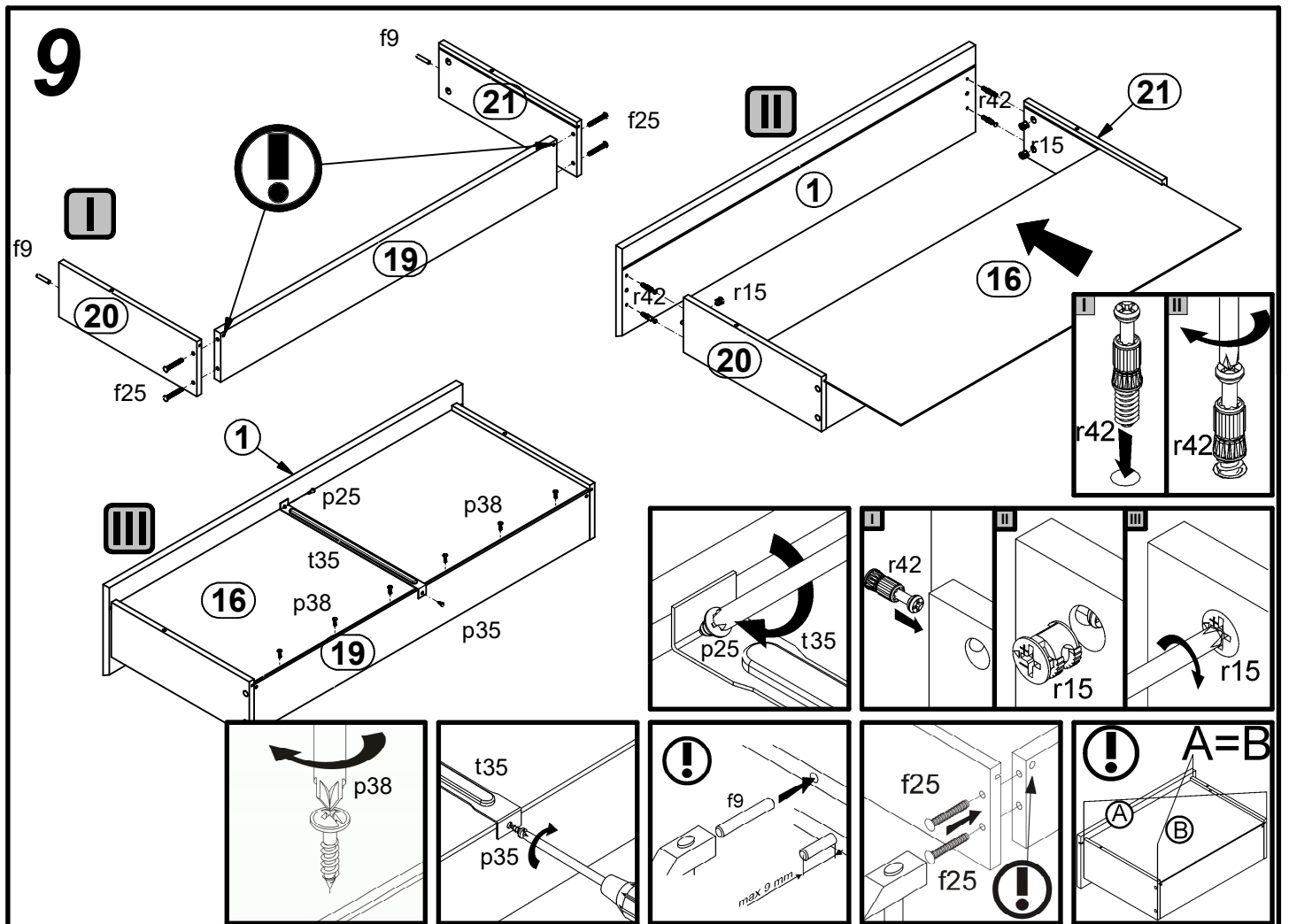
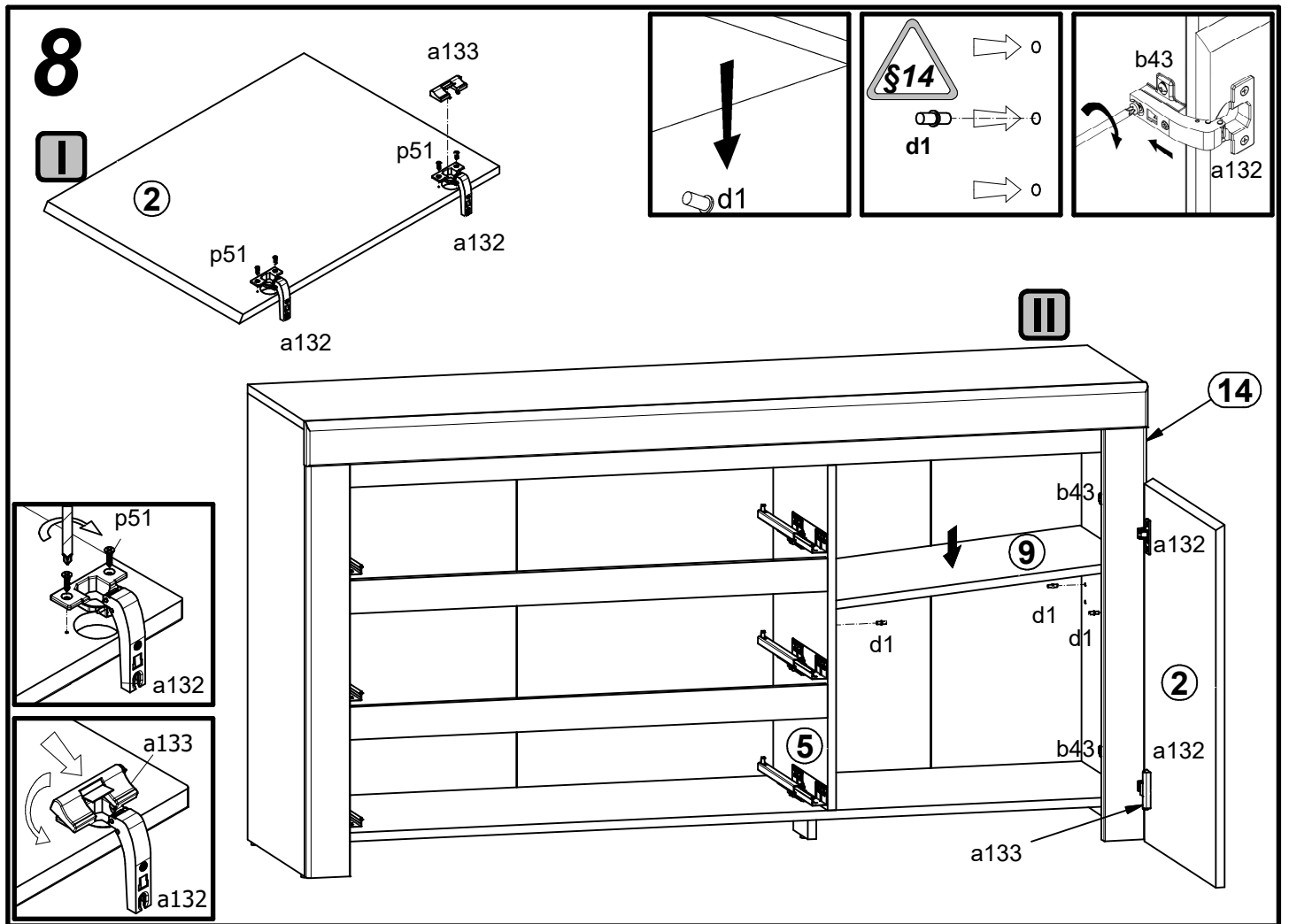


6



7





10

