
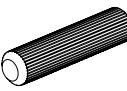
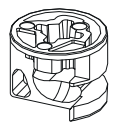

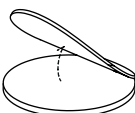
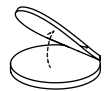
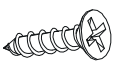
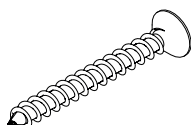
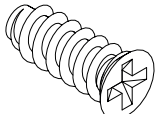
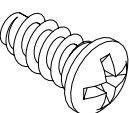
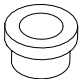
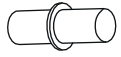
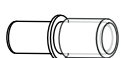


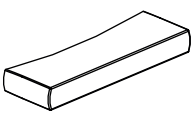

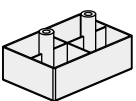
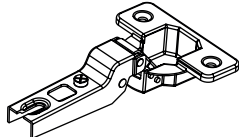
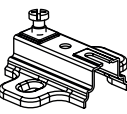
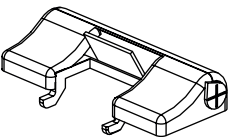

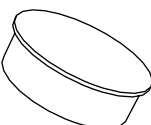
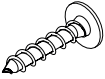
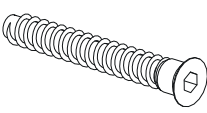
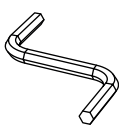
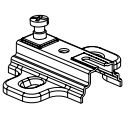
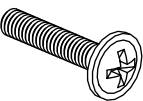
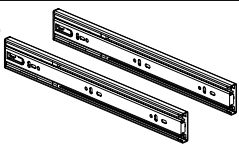
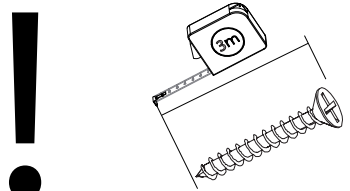

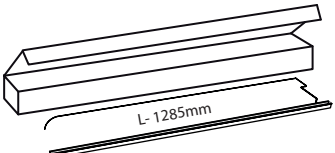


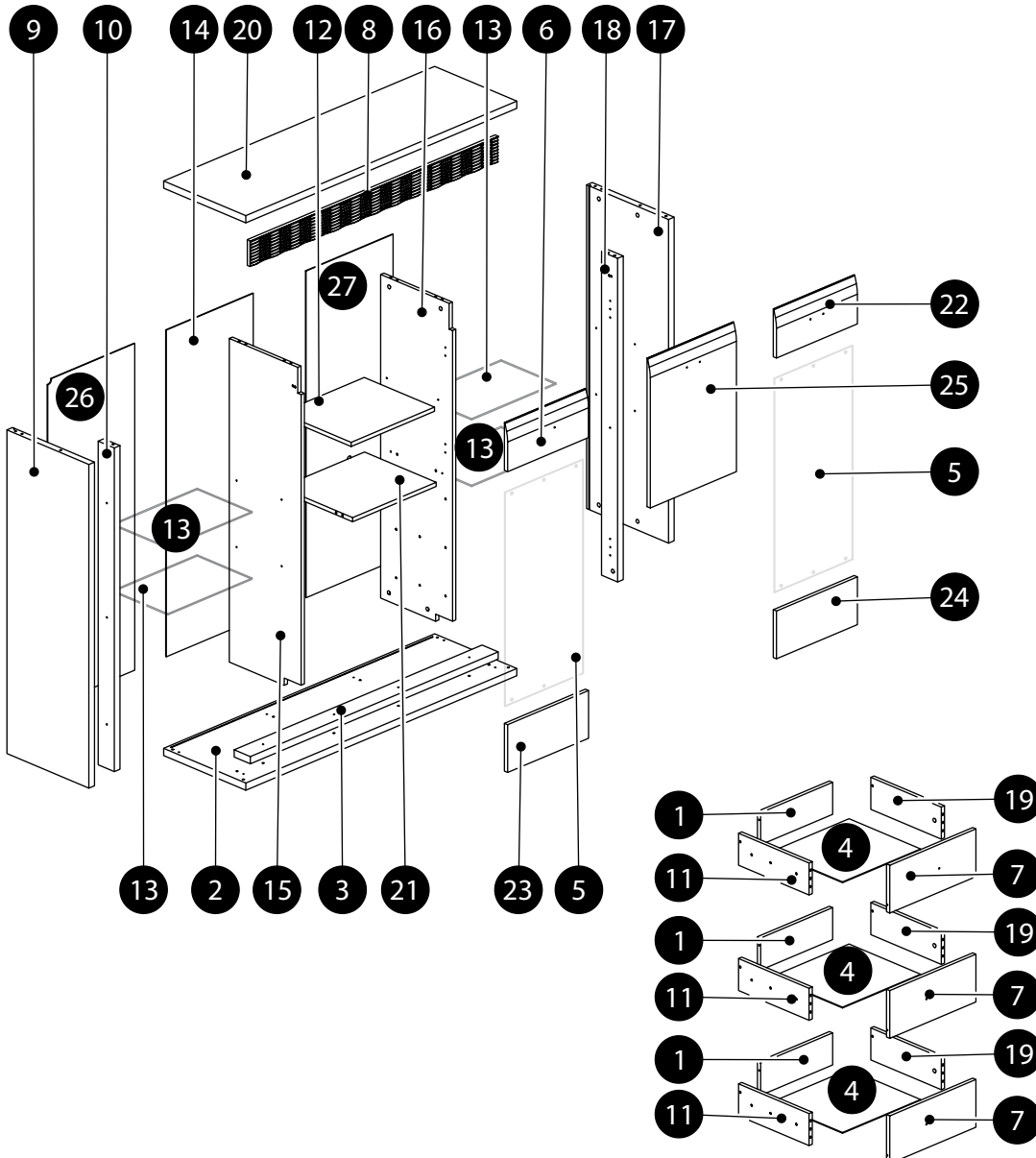
DALLAS 07

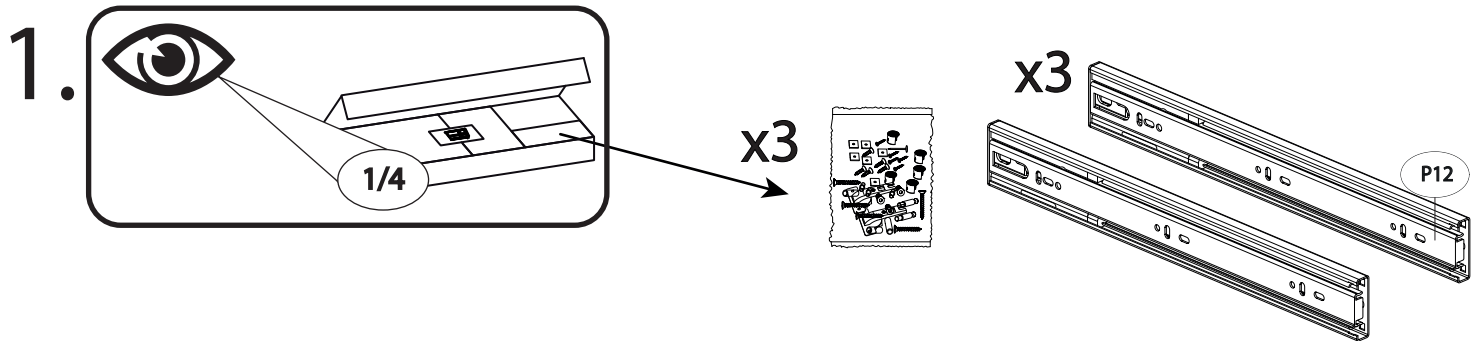
<p>GW1 x 24 1,4x25</p> 	<p>K1 x 35 8x32</p> 	<p>B2 x 30 h-12</p> 
<p>ZJ1 x 30 L-43</p> 	<p>ZS2 x 22 Ø20</p> 	<p>ZS1 x 10 Ø13</p> 
<p>WT1 x 47 3,5x15</p> 	<p>WT38 x 10 4x45</p> 	<p>WE3 x 12 ES6,3x16KB/m</p> 
<p>WE2 x 12 EK6,3x13B</p> 	<p>TUD1 x 12 6,1x8x12,2x2x4</p> 	<p>PO2 x 4 Ø5</p> 
<p>PO3 x 16 Ø5</p> 	<p>BR1 x 20 16x12x1</p> 	<p>SP x 13</p> 
<p>UCH x 6</p> 	<p>KT35 x 5 35x35</p> 	<p>ST5 x 6 60x40x20</p> 
<p>ZP12 x 6 1/2</p> 	<p>PK4 x 4 H-4</p> 	<p>SDO x 3</p> 
<p>PZK x 1</p> 	<p>ZA35 x 2 Ø35</p> 	<p>WT9 x 45 3x16</p> 
<p>KT1 x 6 6,3x50</p> 	<p>x 1</p> 	<p>PK3 x 2 H-2</p> 
<p>WT19 x 12 4x22M</p> 	<p>P12 x 3 L-350</p> 	
<p>ZOH x 4 Ø20</p> 	 <p>L-1285mm</p>	

DALLAS 07

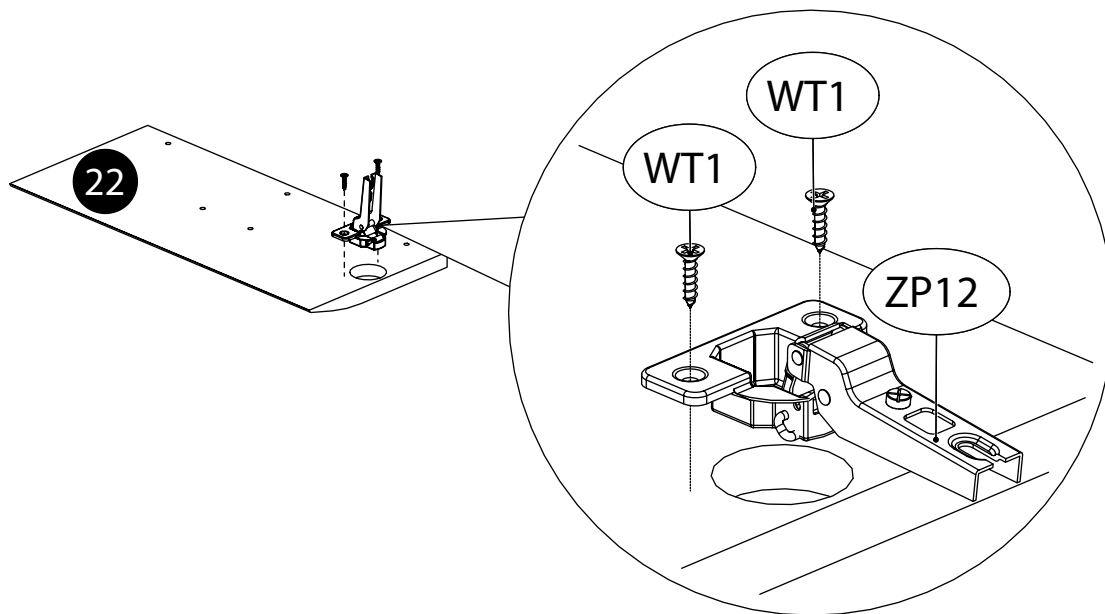
	CODE				
1	Dallas07_11	358	124	3	2/4
2	Dallas07_02	1346	408	1	2/4
3	Dallas07_05	1231	80	1	3/4
4	Dallas07HDF_02	388	355	3	2/4
5	4SZKL-4NR28	829	388	2	2/4
6	Dallas07_15	402	185	1	1/4
7	Dallas07_20	428	185	3	1/4
8	Dallas07_21	1231	100	1	4/4
9	Dallas07_03	1254	407	1	3/4
10	Dallas07_06	1253,5	80	1	3/4
11	Dallas07_12	350	124	3	2/4
12	Dallas07_14	414	349	1	1/4
13	4SZKL-5NR39	419	273	4	1/4

	CODE				
14	Dallas07HDF_01	431	1266	1	3/4
15	Dallas07_08	1254	357	1	3/4
16	Dallas07_09	1254	357	1	3/4
17	Dallas07_04	1254	407	1	3/4
18	Dallas07_07	1253,5	80	1	3/4
19	Dallas07_13	350	124	3	2/4
20	Dallas07_01	1346	408	1	2/4
21	Dallas07_10	415	356	1	1/4
22	Dallas07_16	402	185	1	1/4
23	Dallas07_17	402	185	1	1/4
24	Dallas07_18	402	185	1	1/4
25	Dallas07_19	428	575	1	1/4
26	Dallas07HDF_03	431	1266	1	2/4
27	Dallas07HDF_04	431	1266	1	2/4

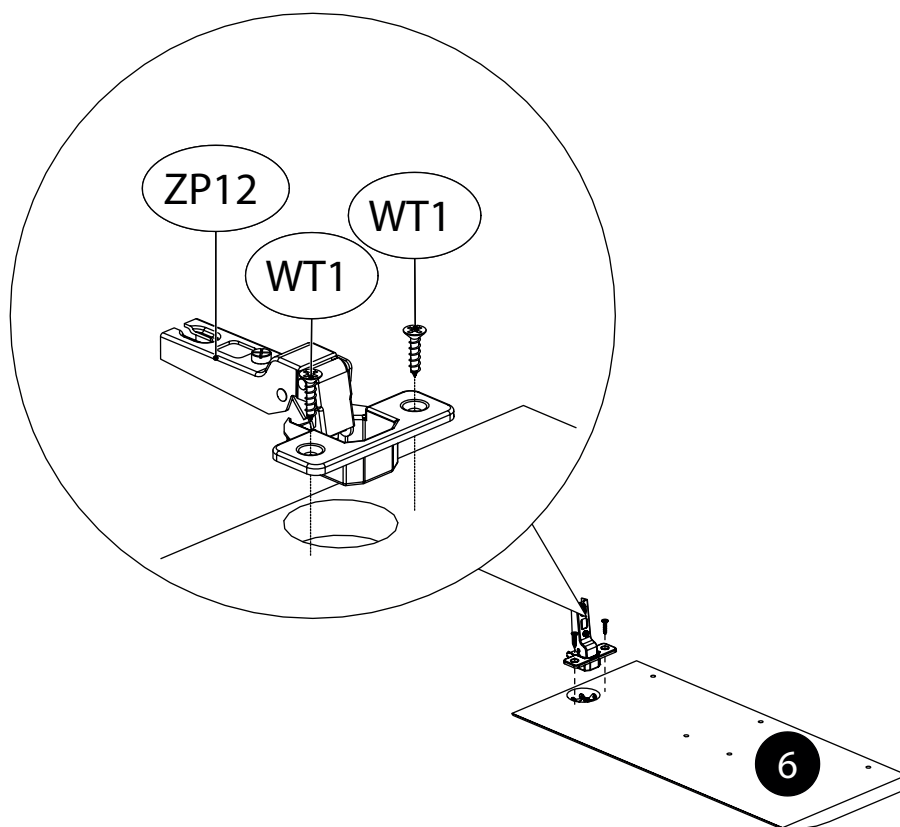




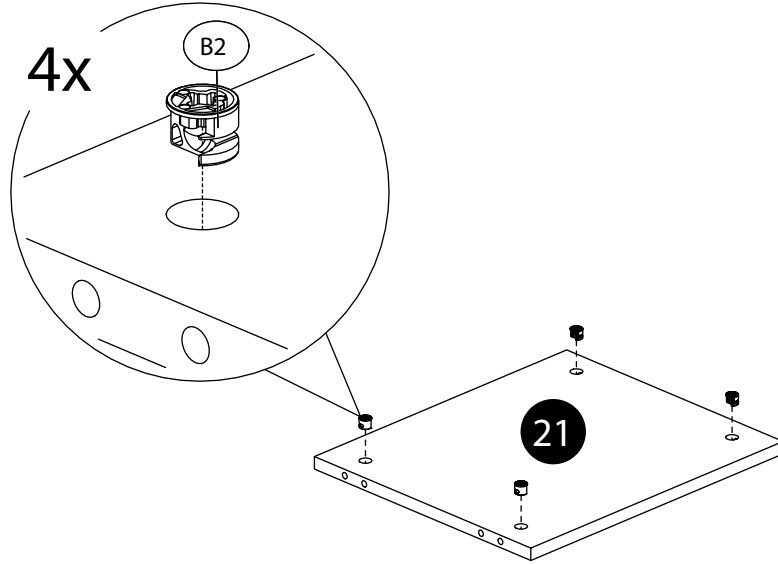
2.



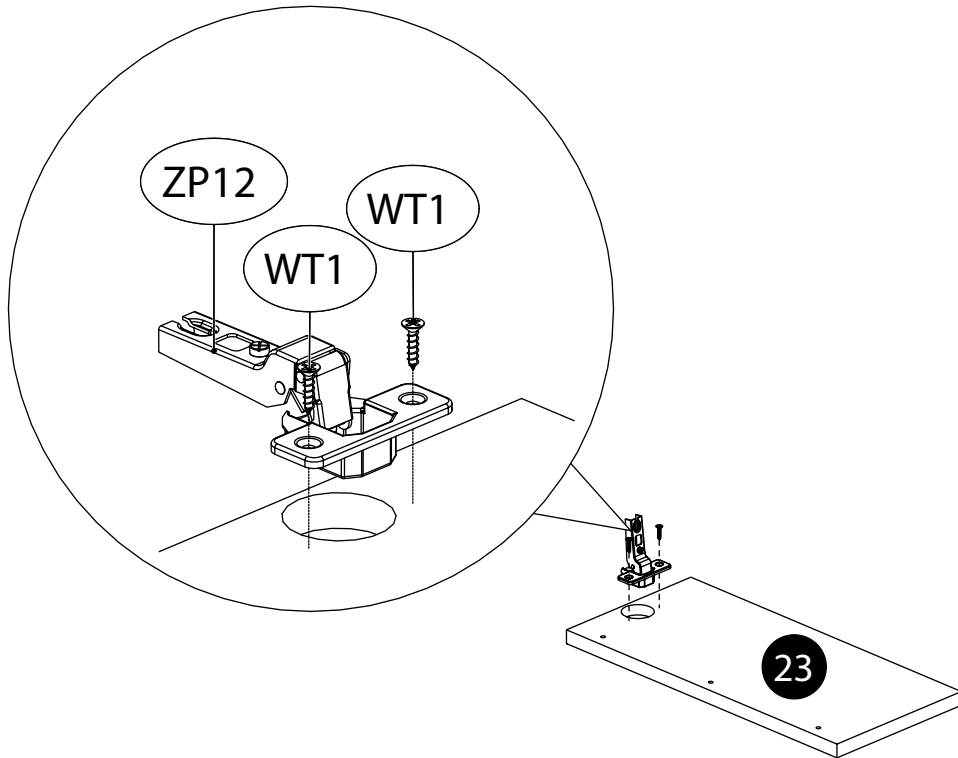
3.



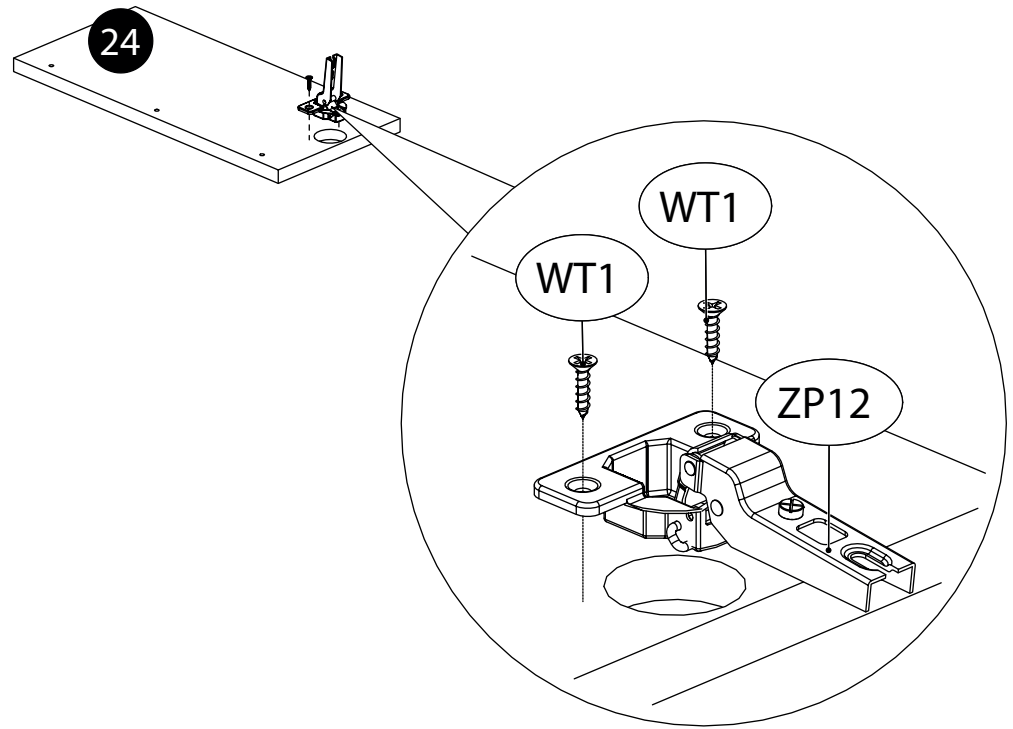
4.



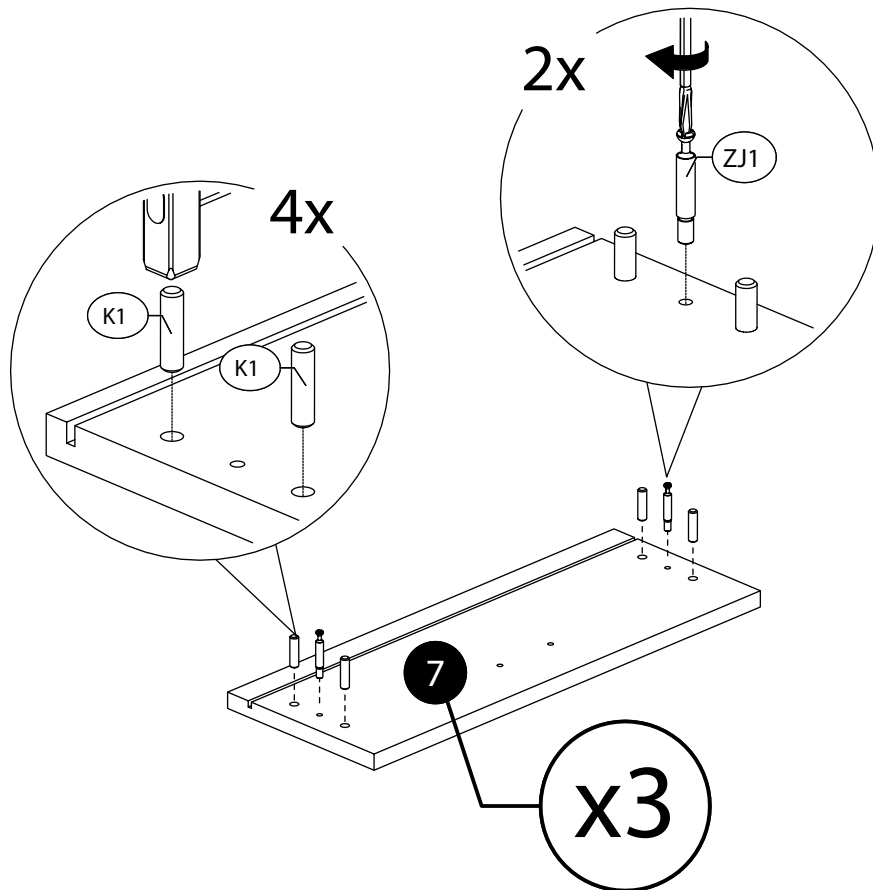
5.



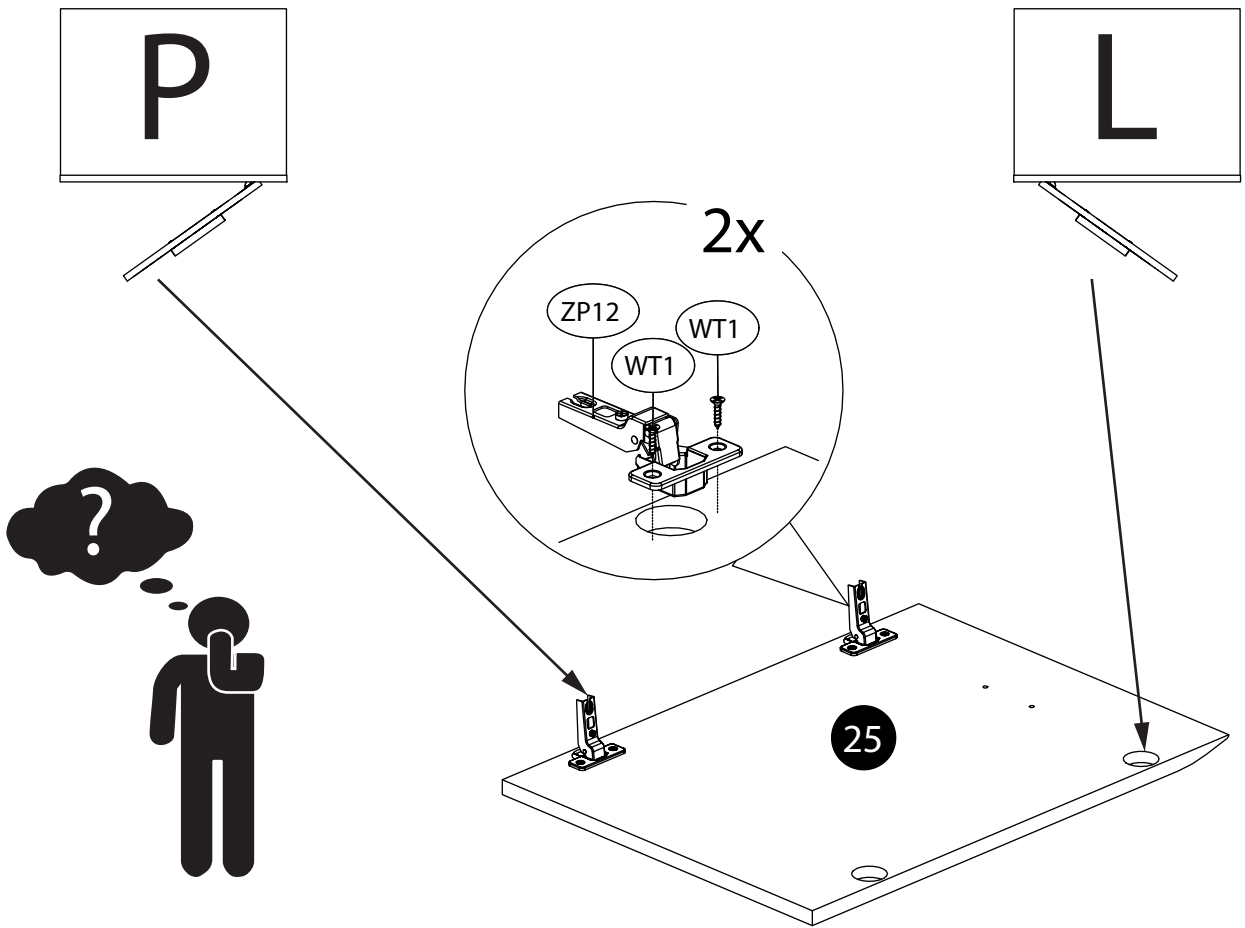
6.



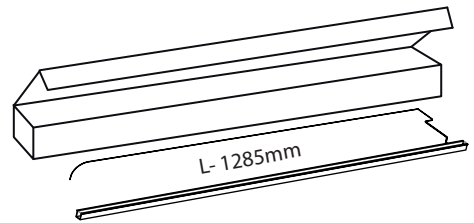
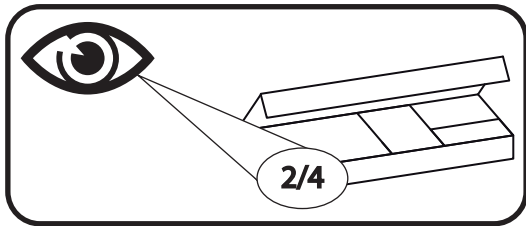
7.



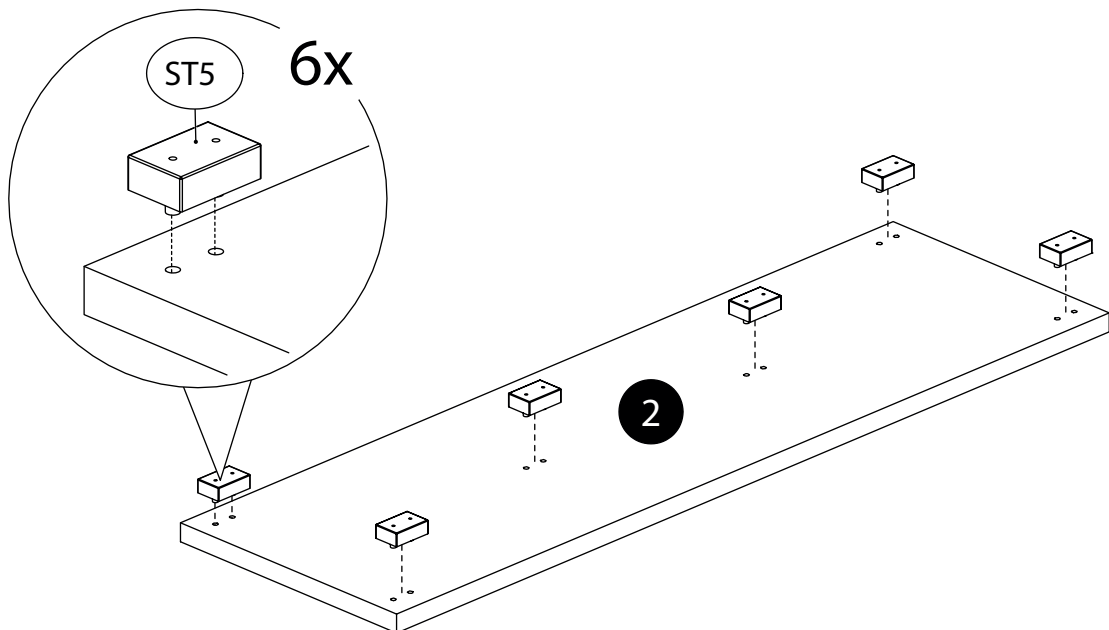
8.



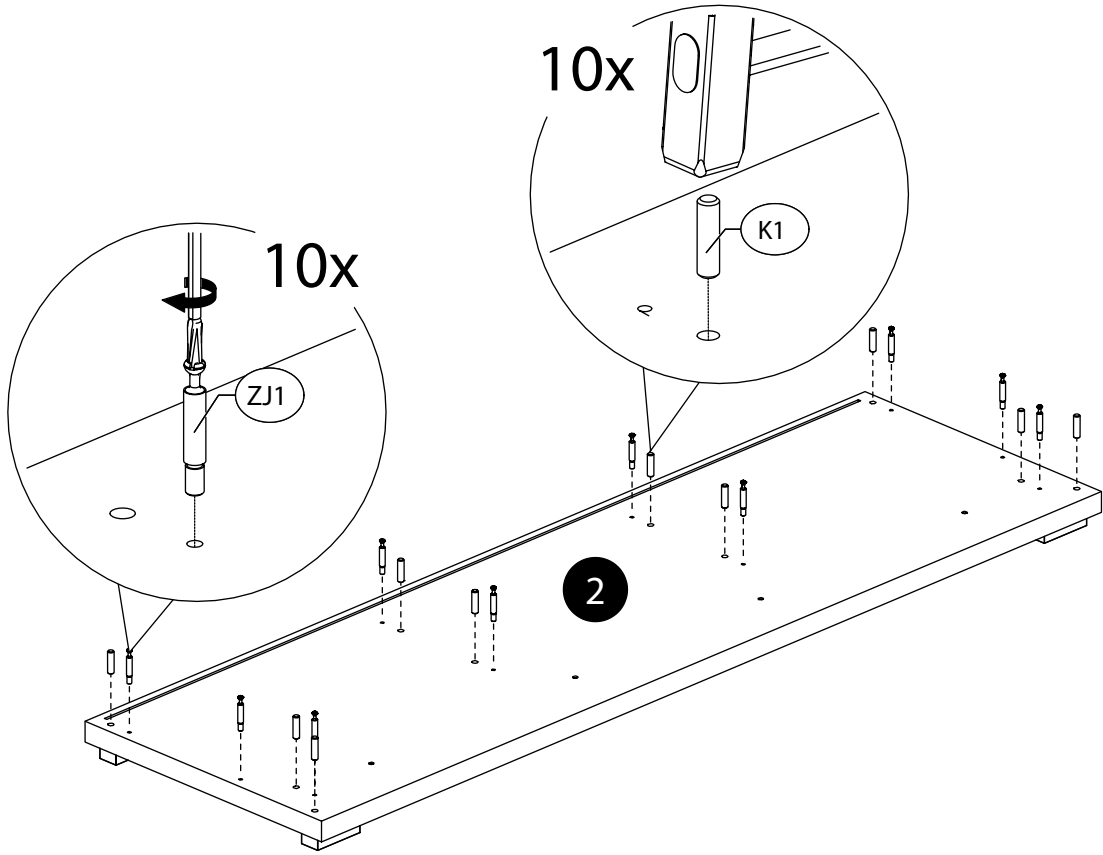
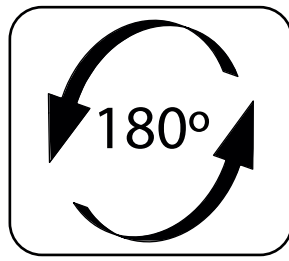
9.



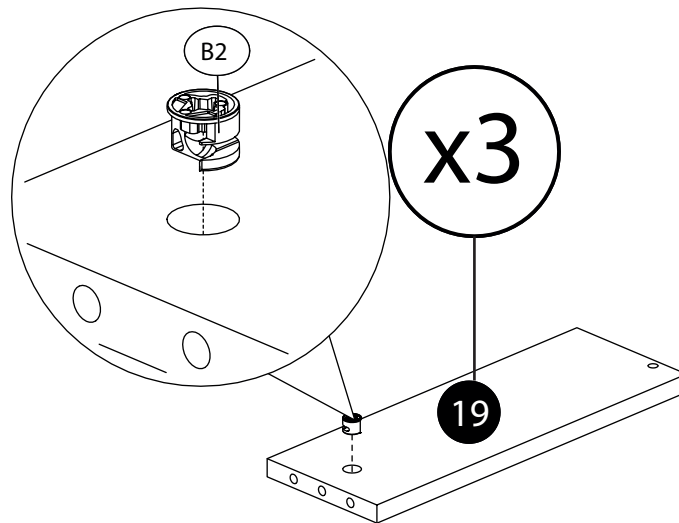
10.



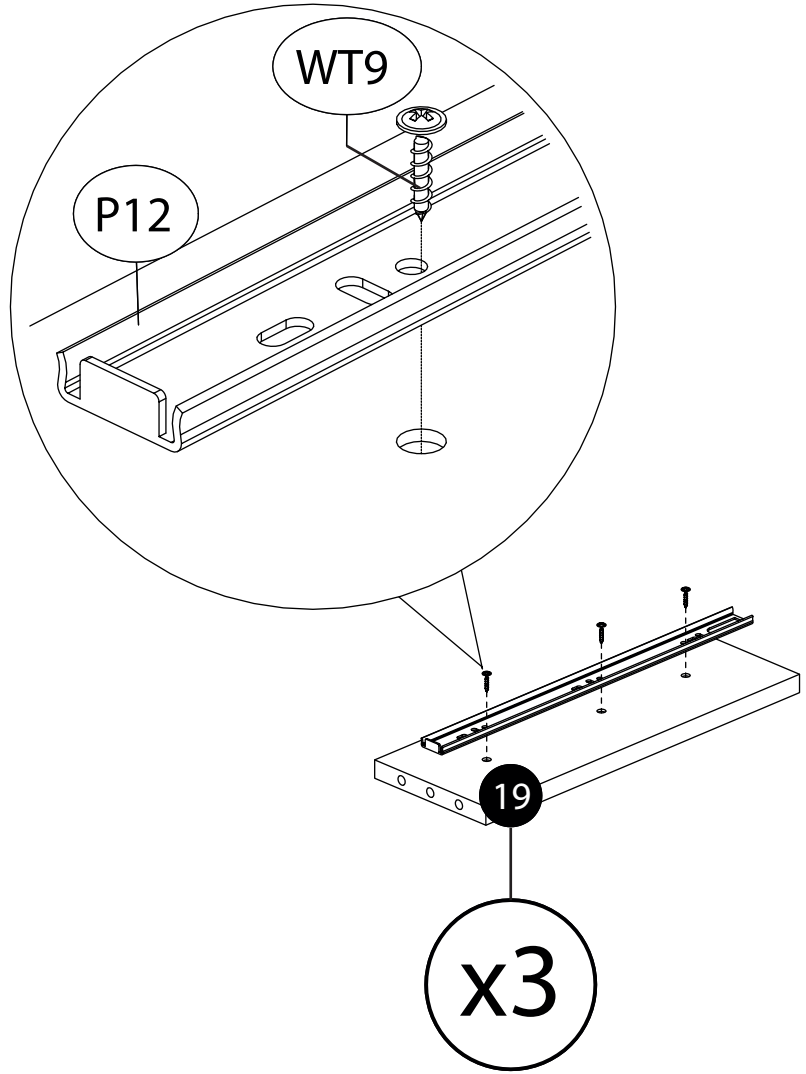
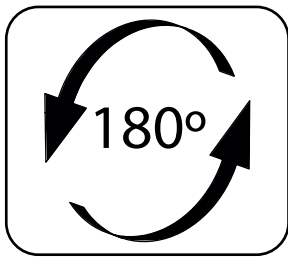
11.



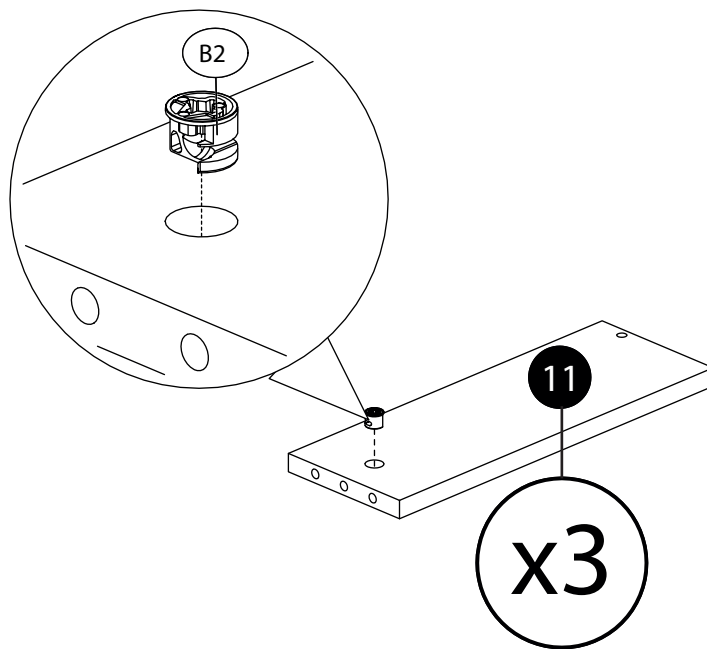
12.



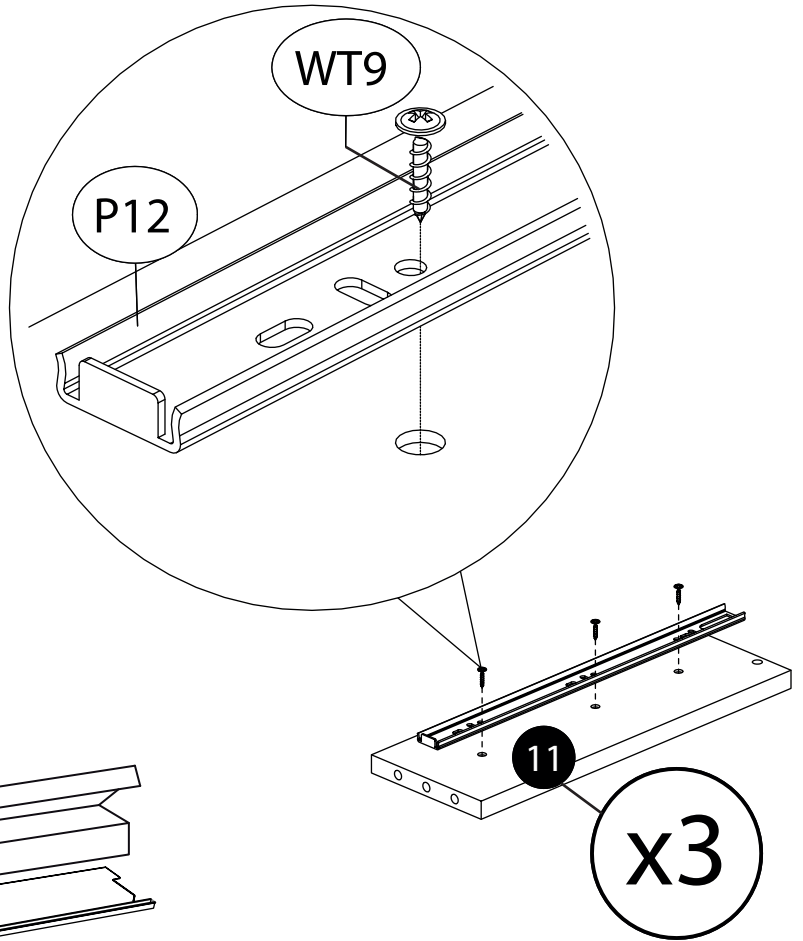
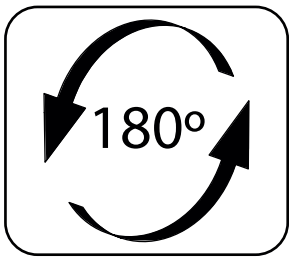
13.



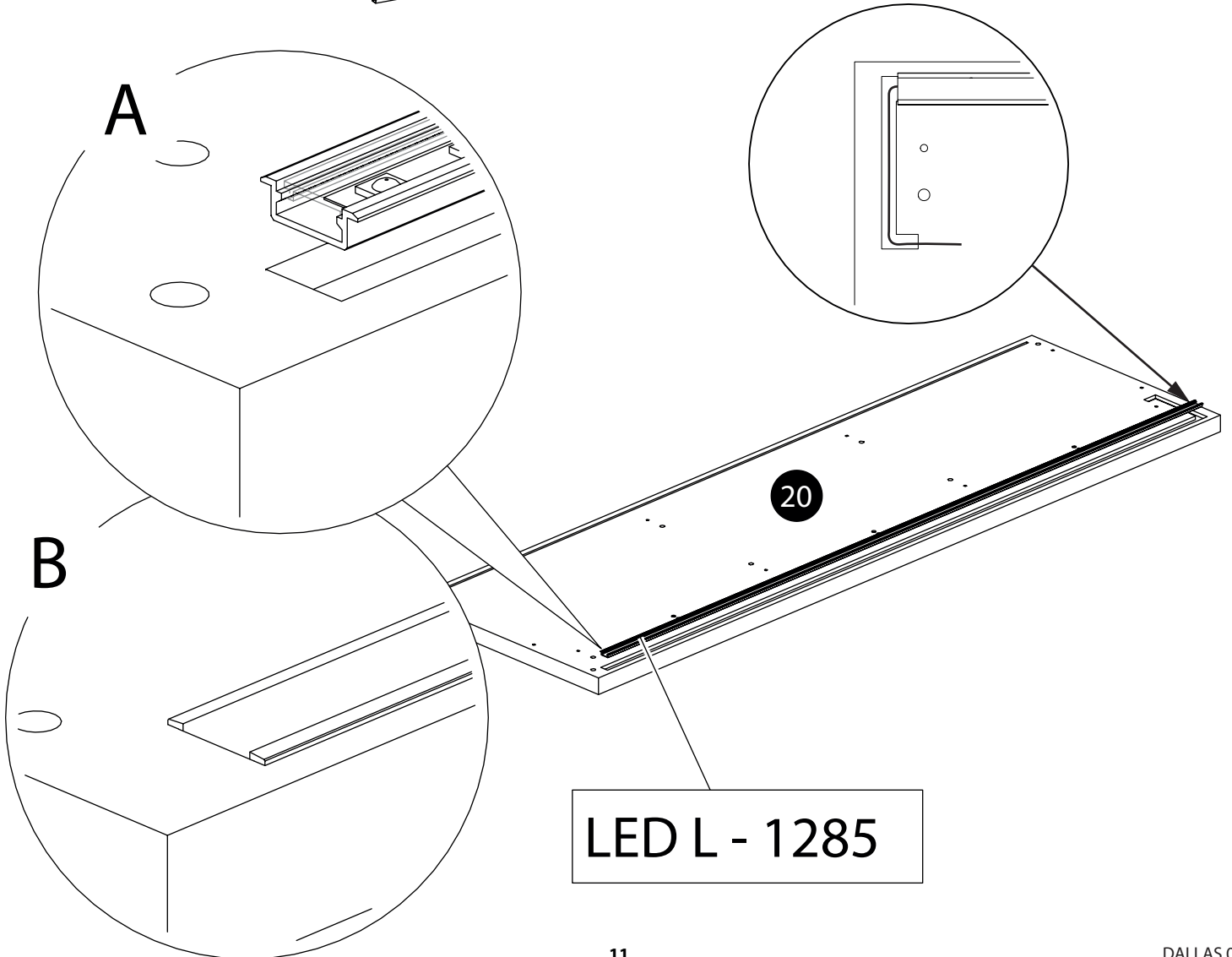
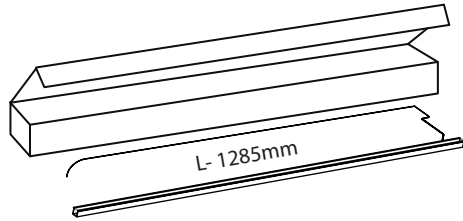
14.



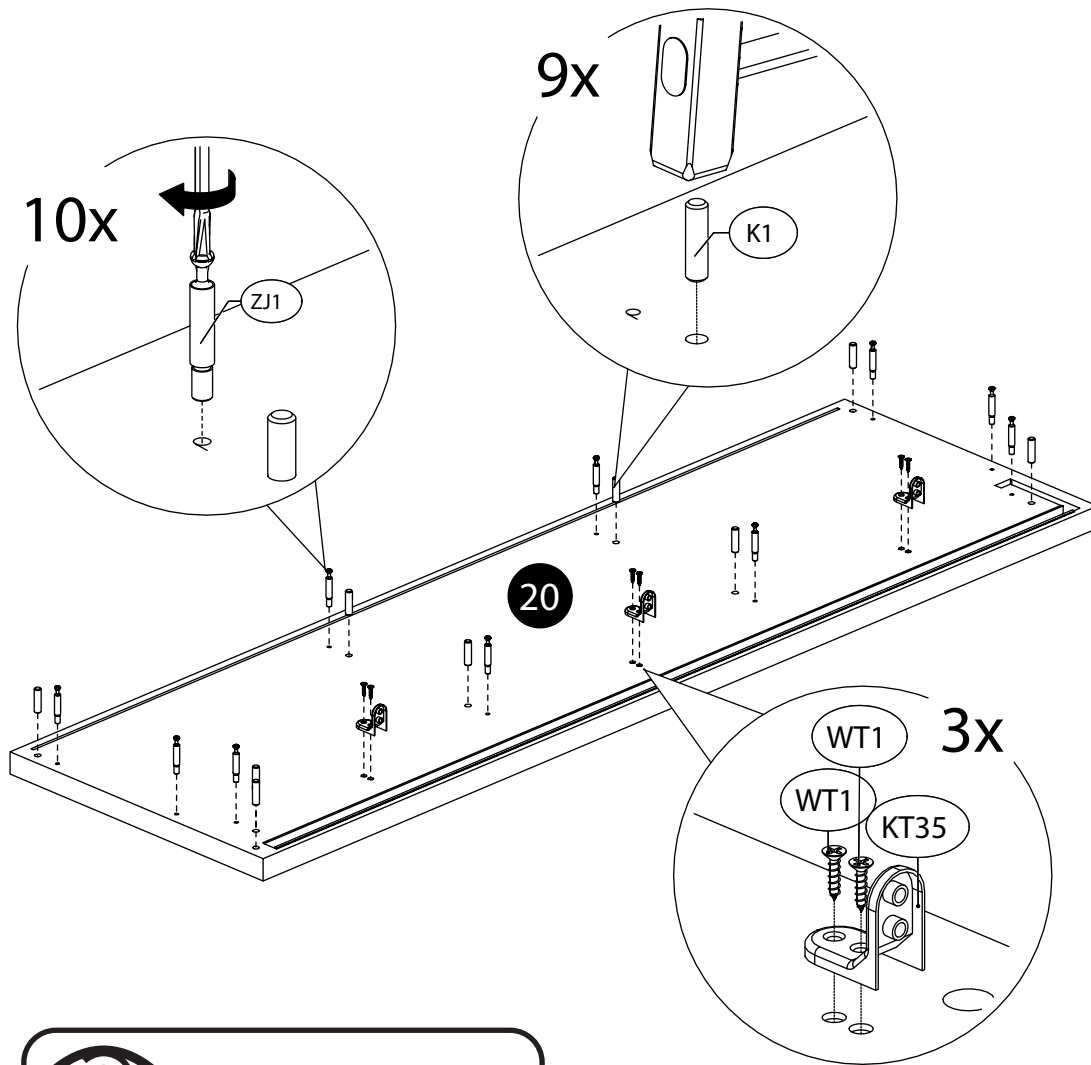
15.



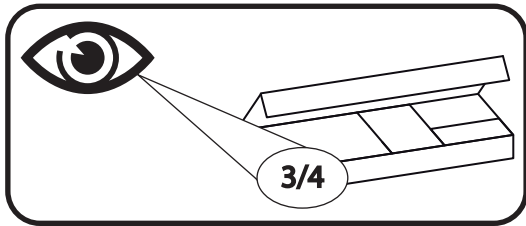
16.



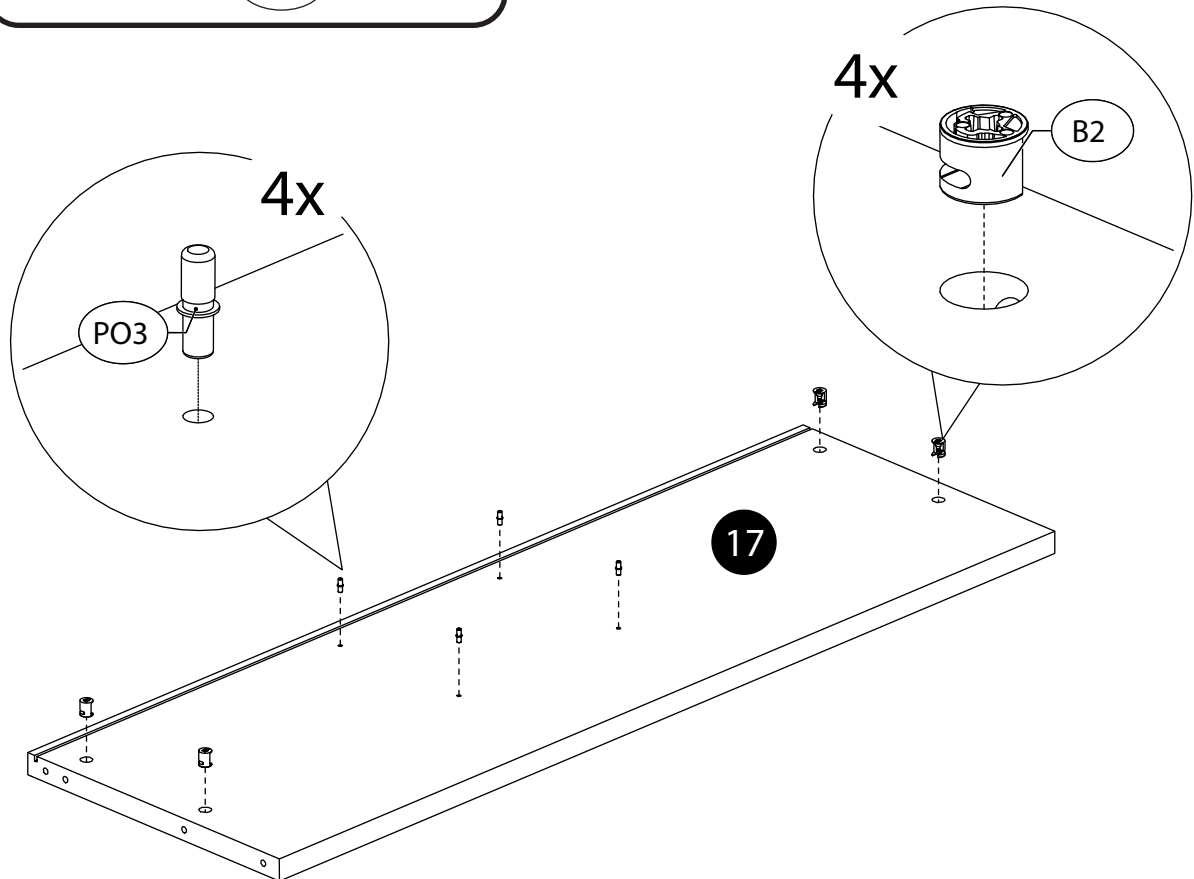
17.



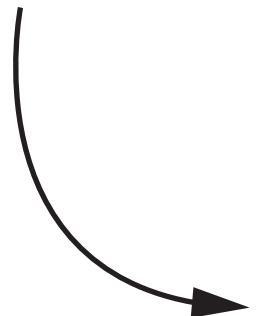
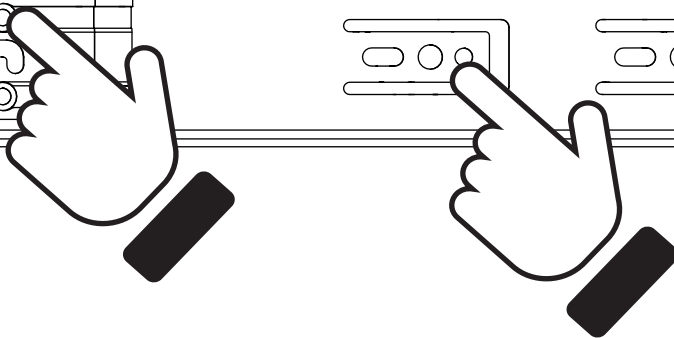
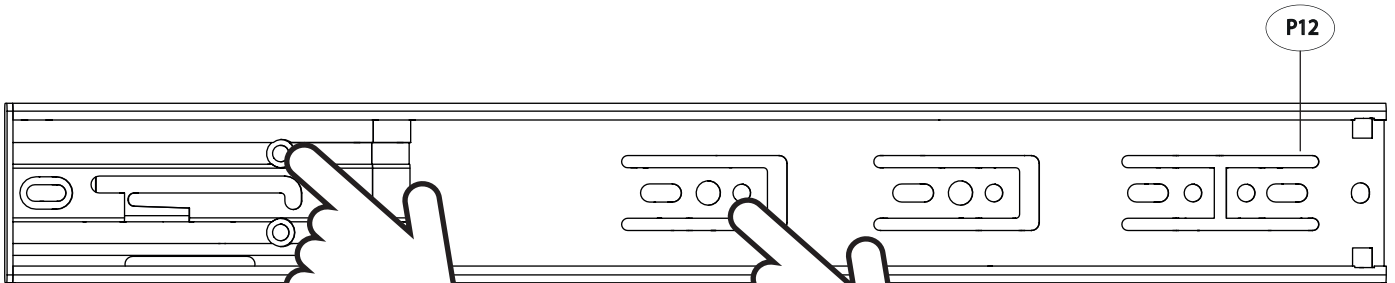
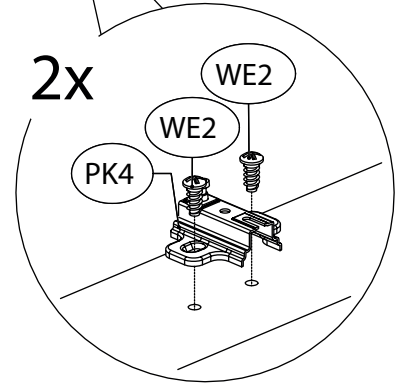
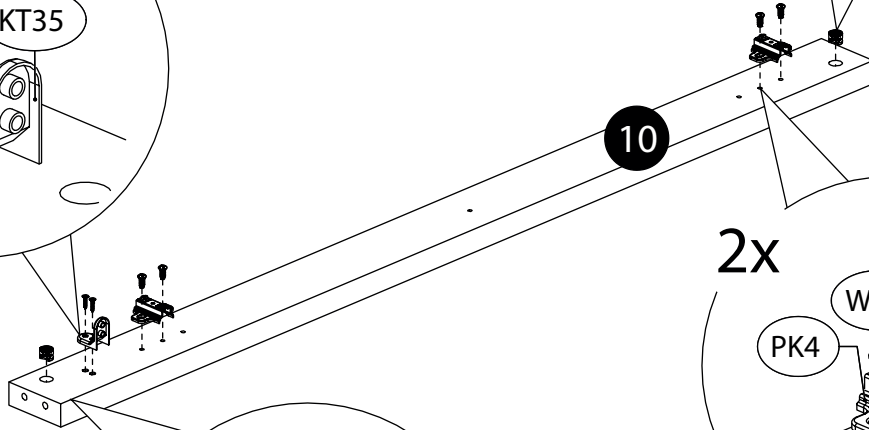
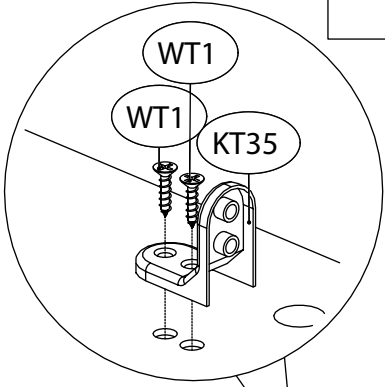
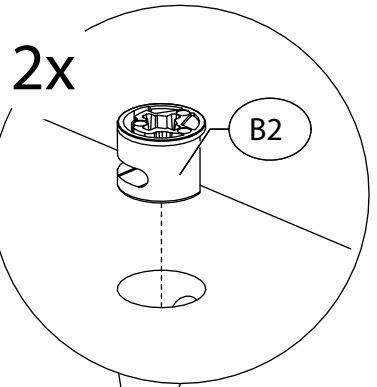
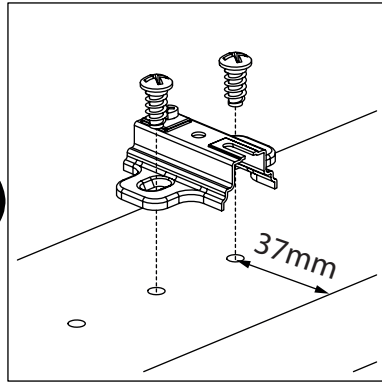
18.



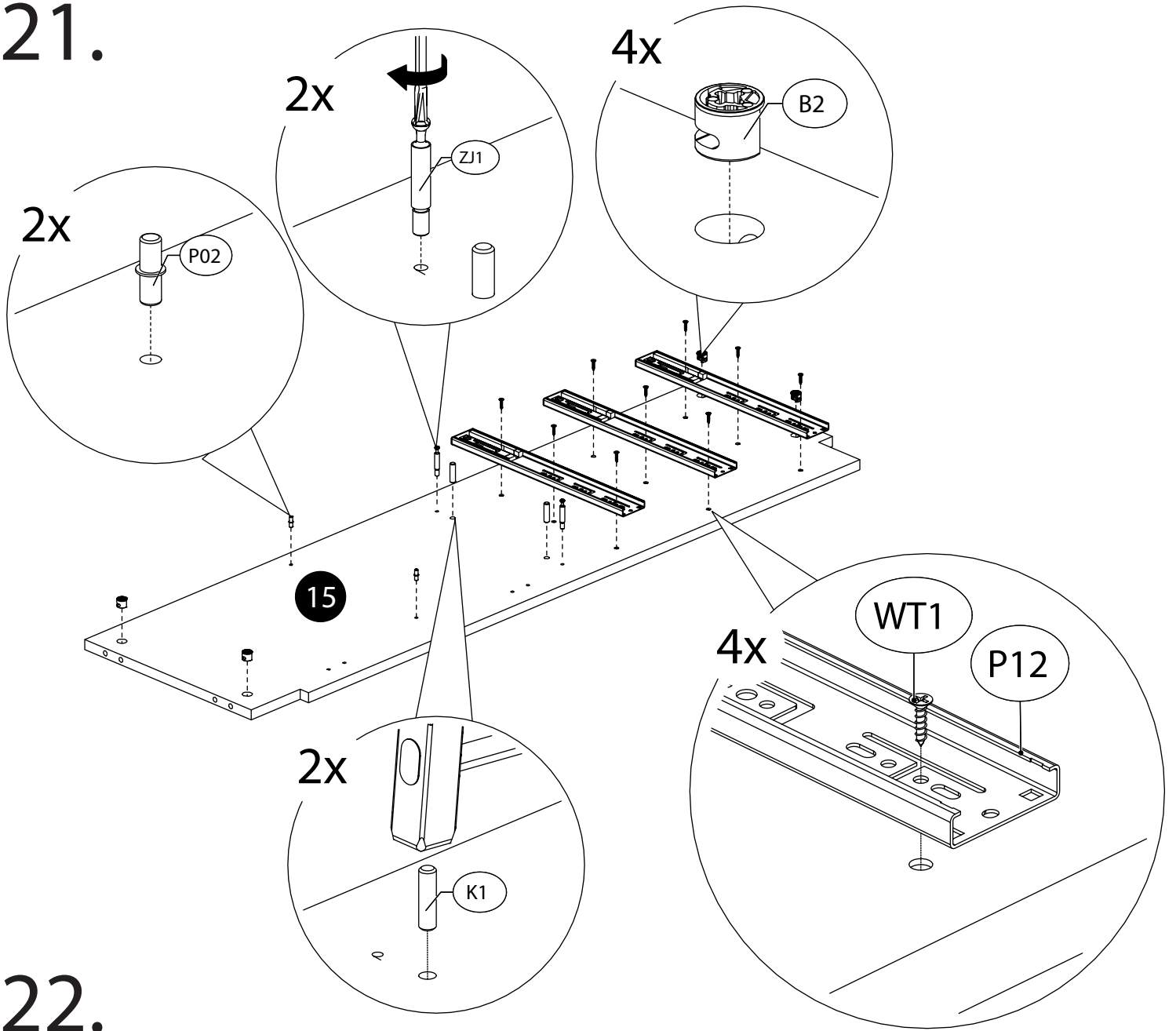
19.



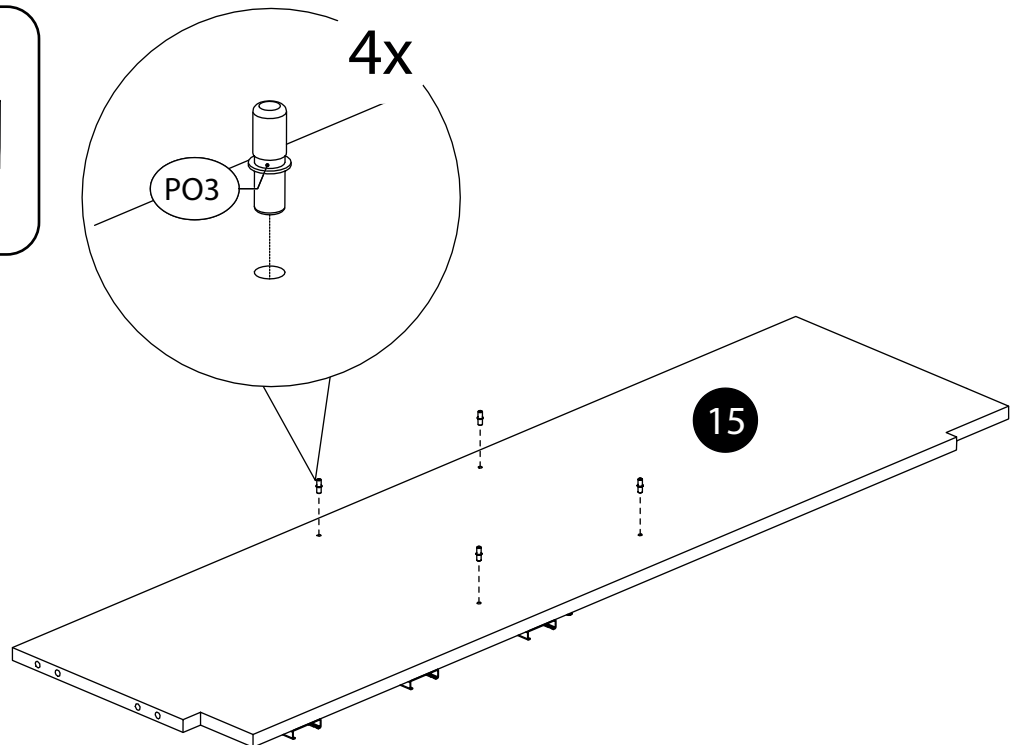
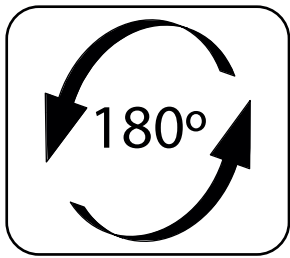
20.



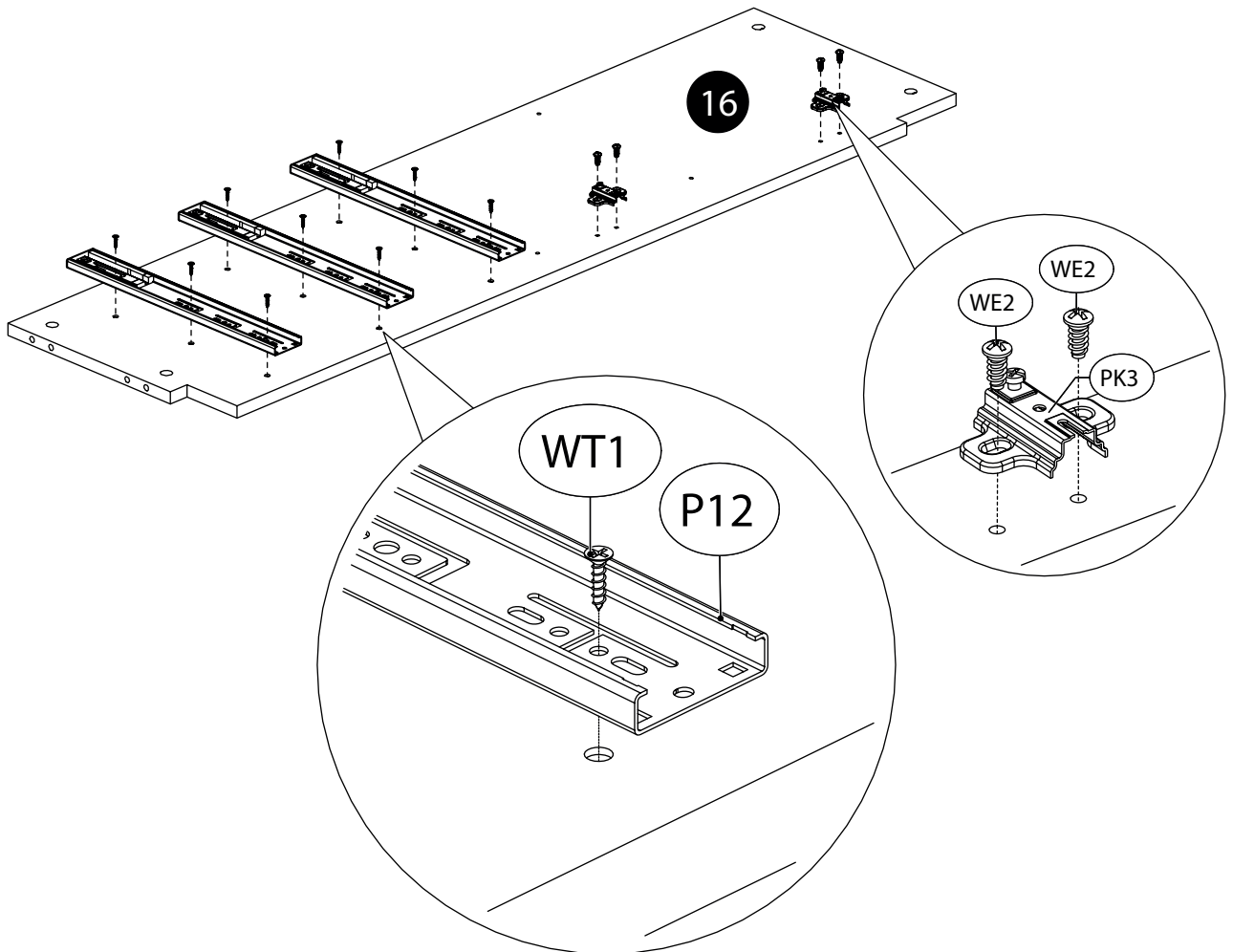
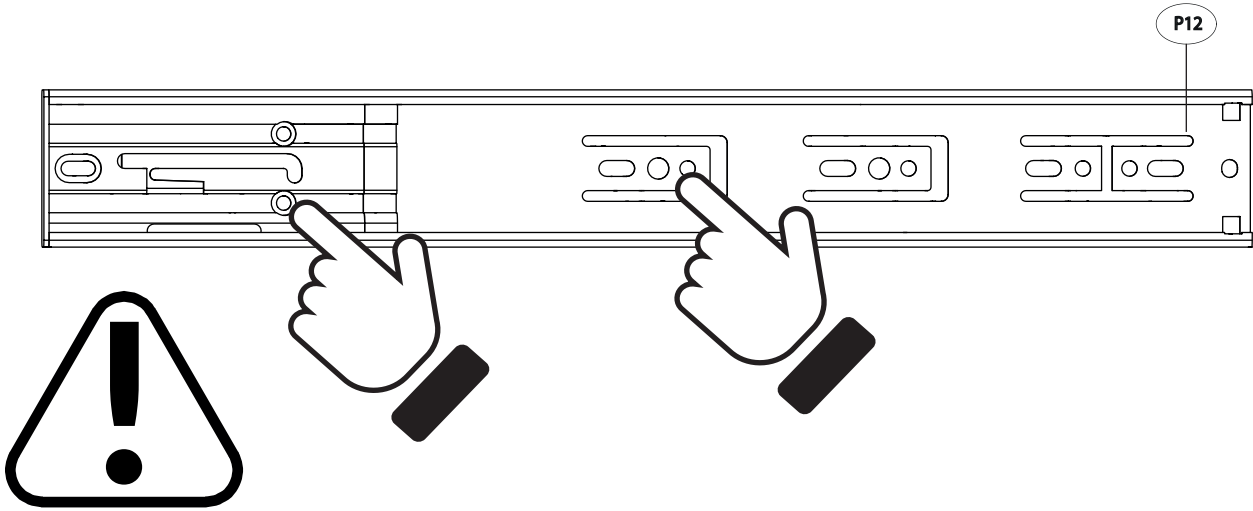
21.



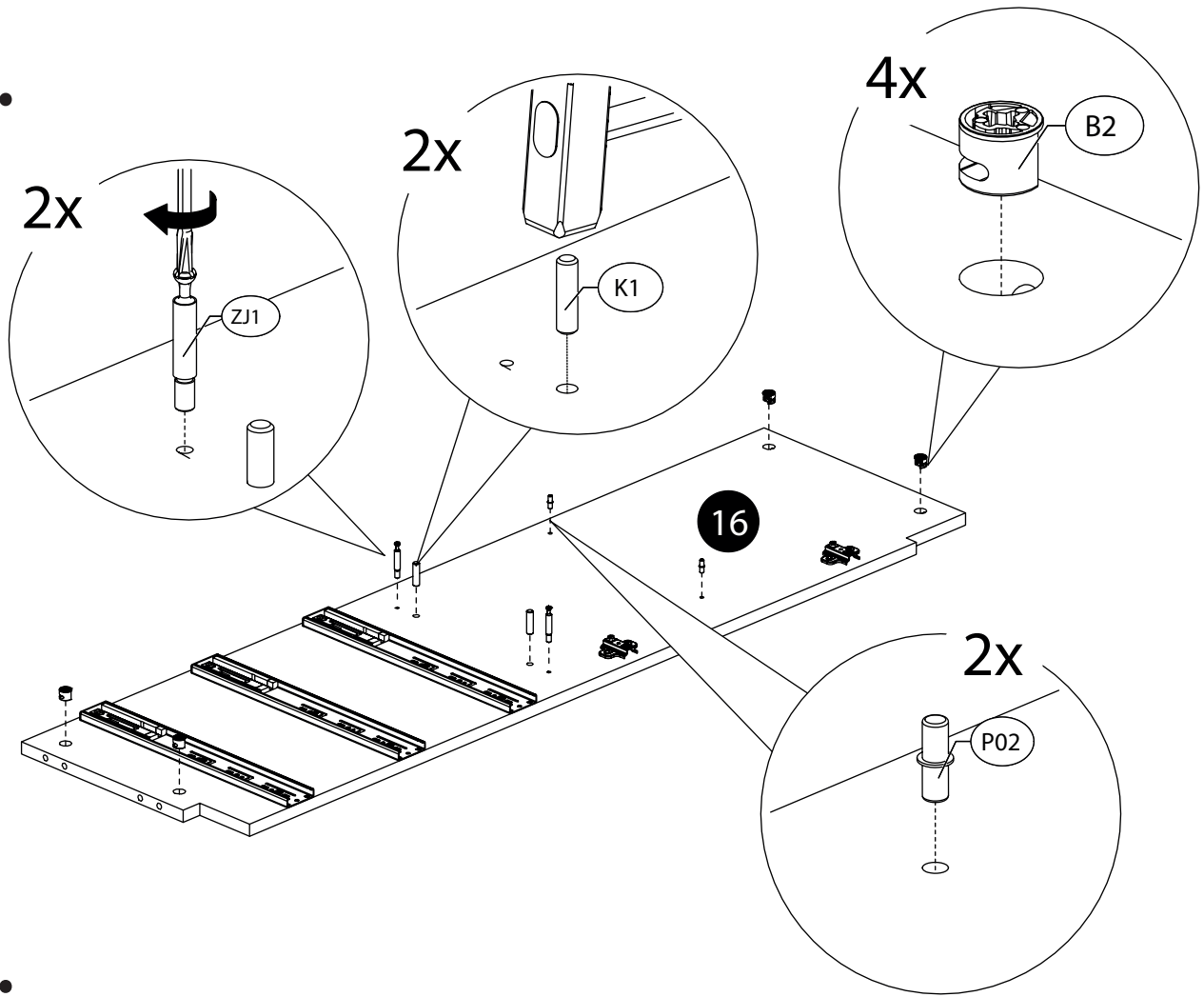
22.



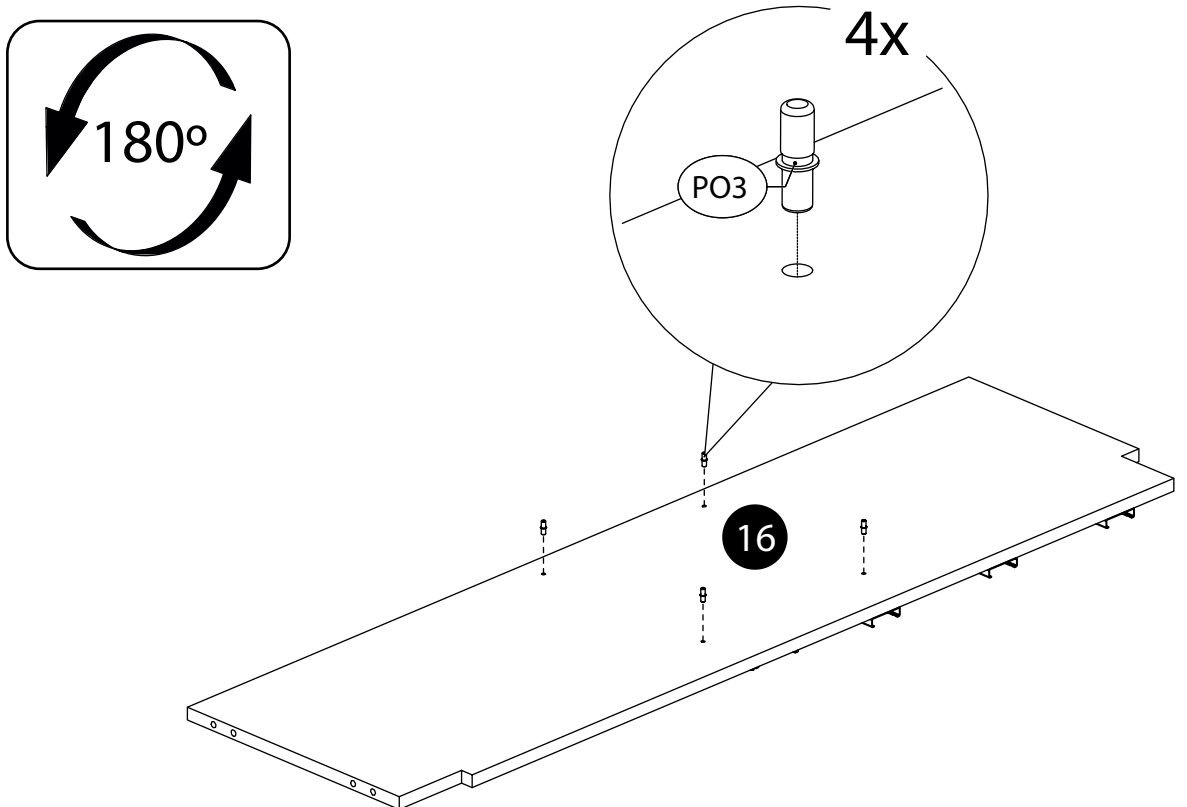
23.



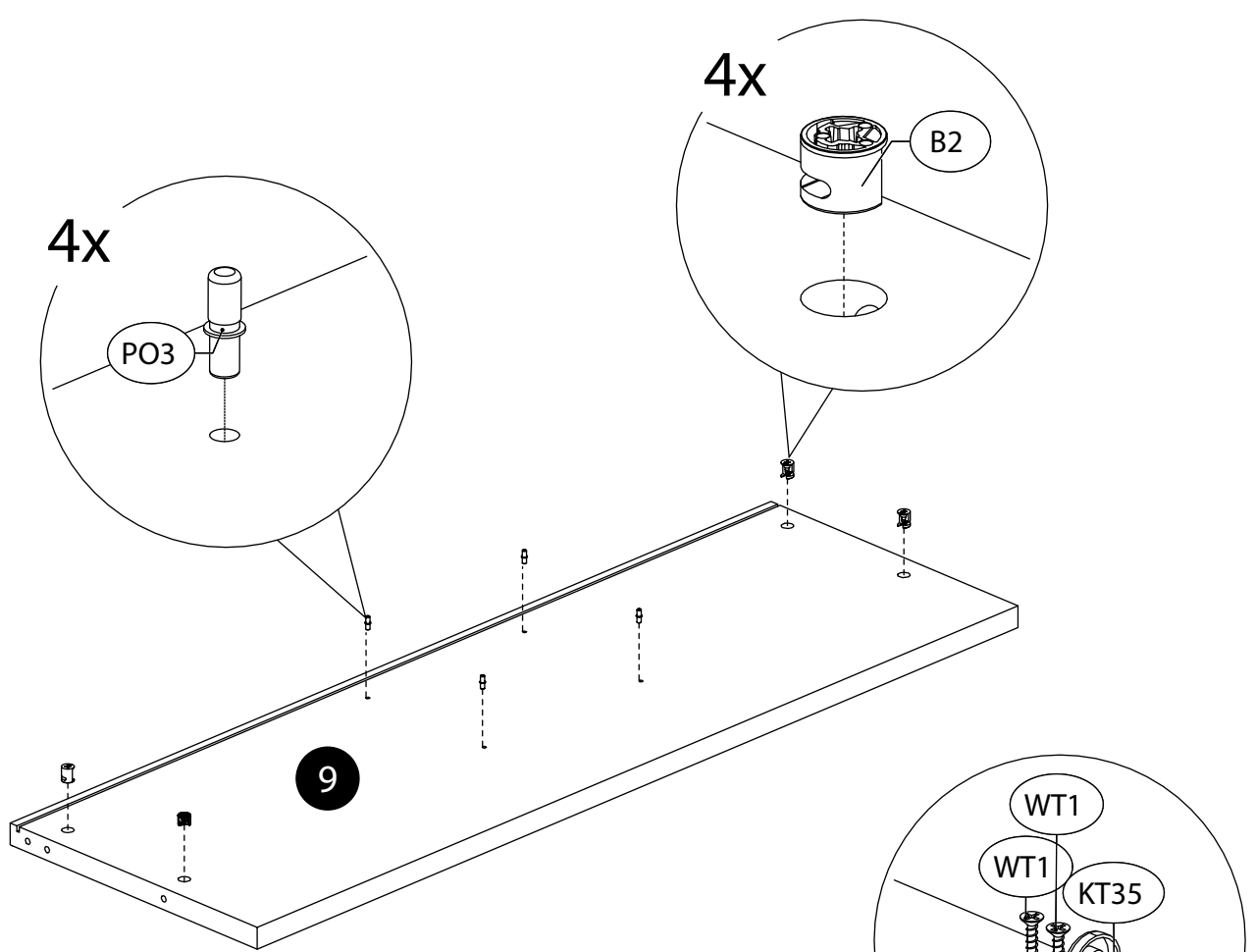
24.



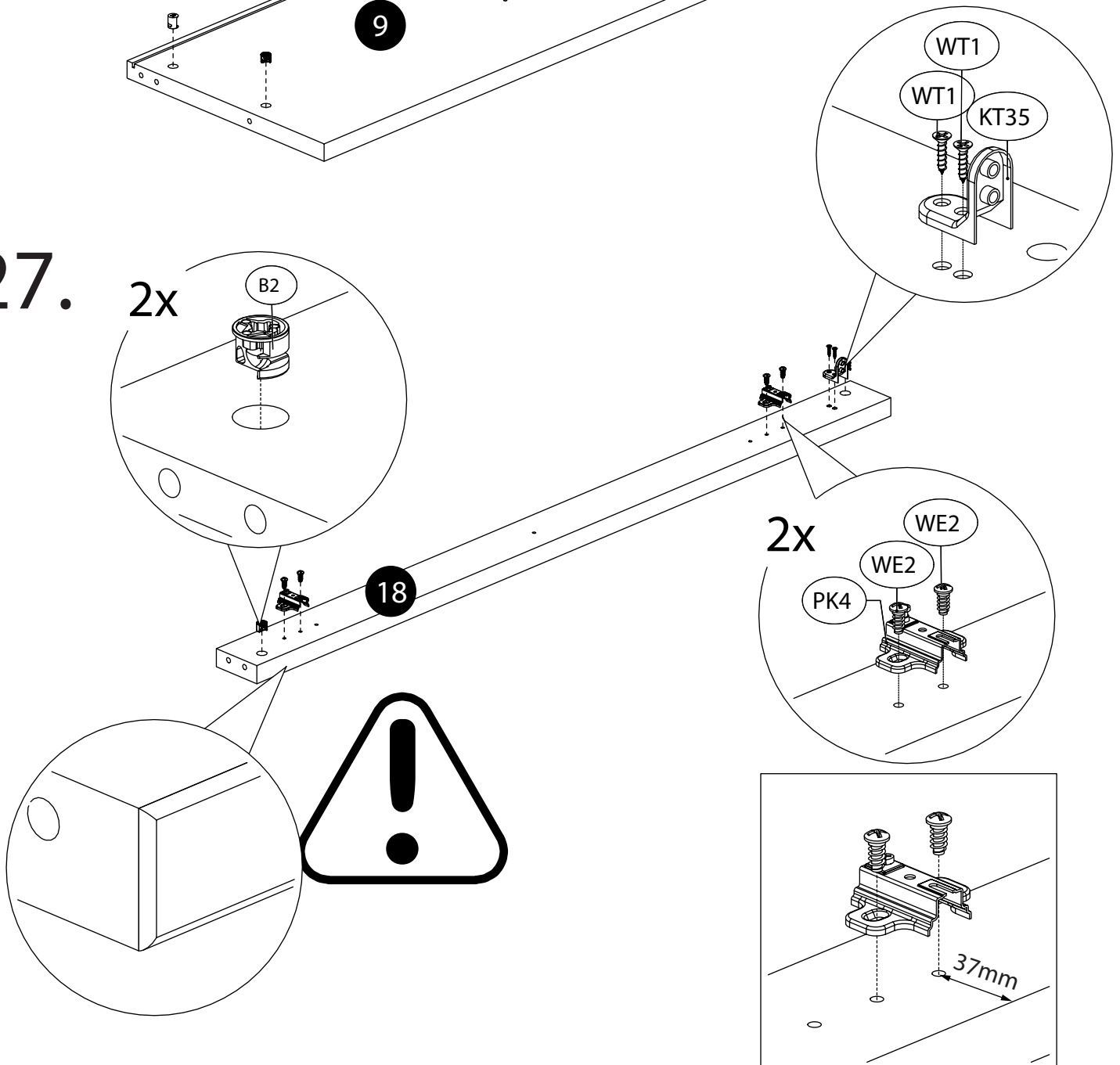
25.



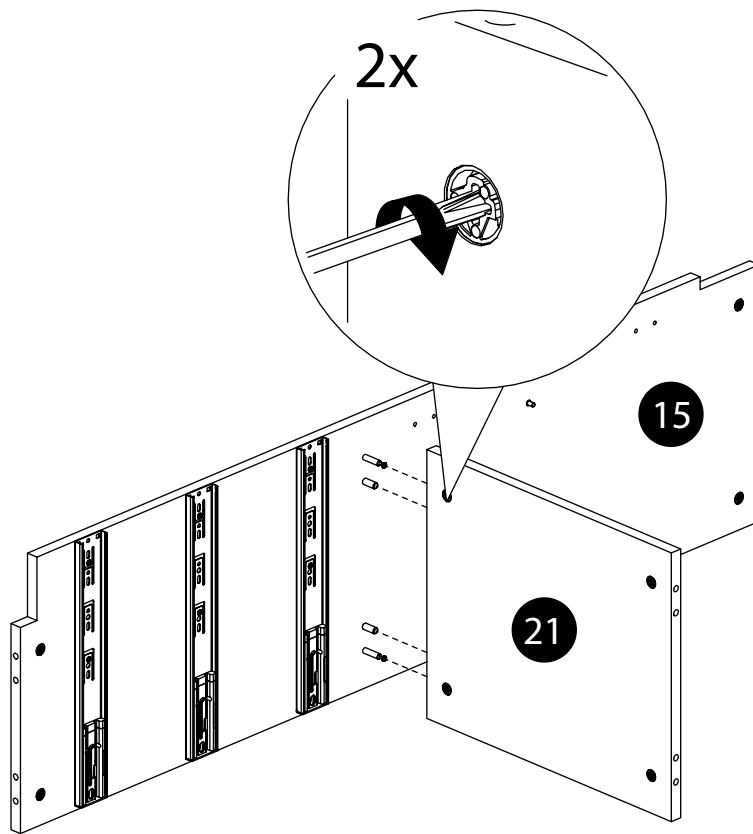
26.



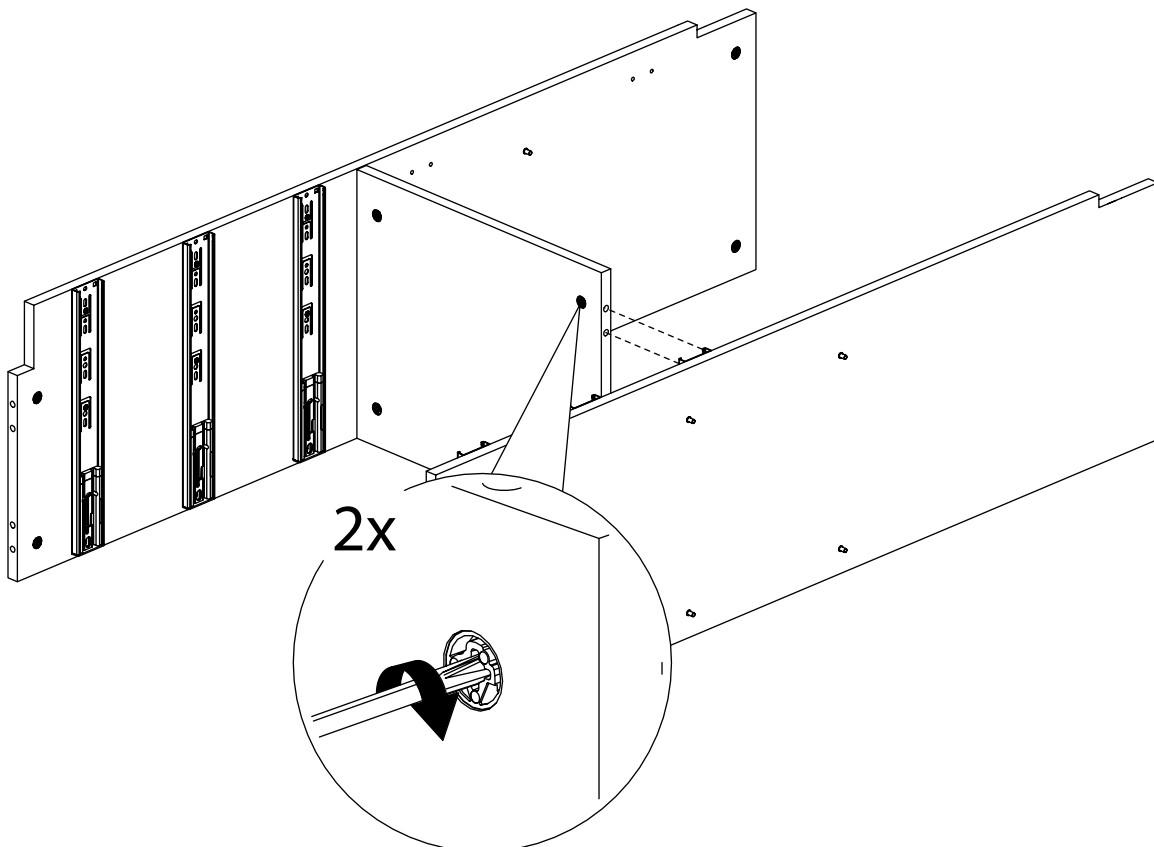
27.



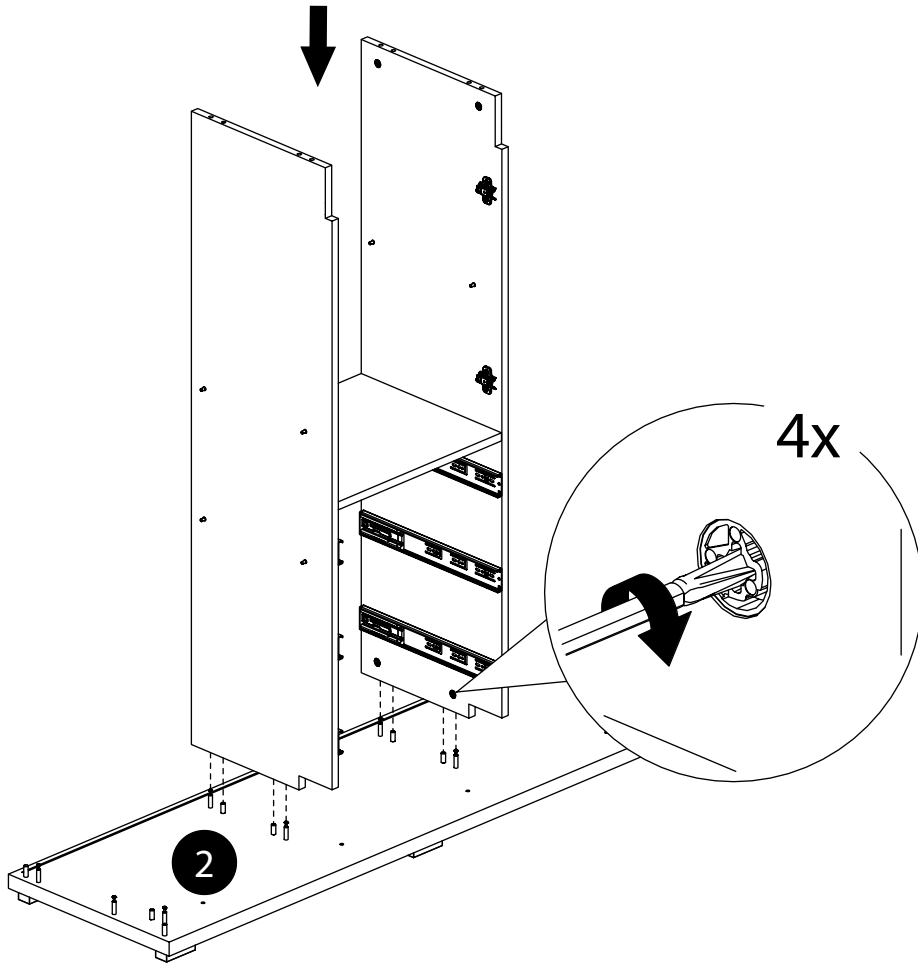
28.



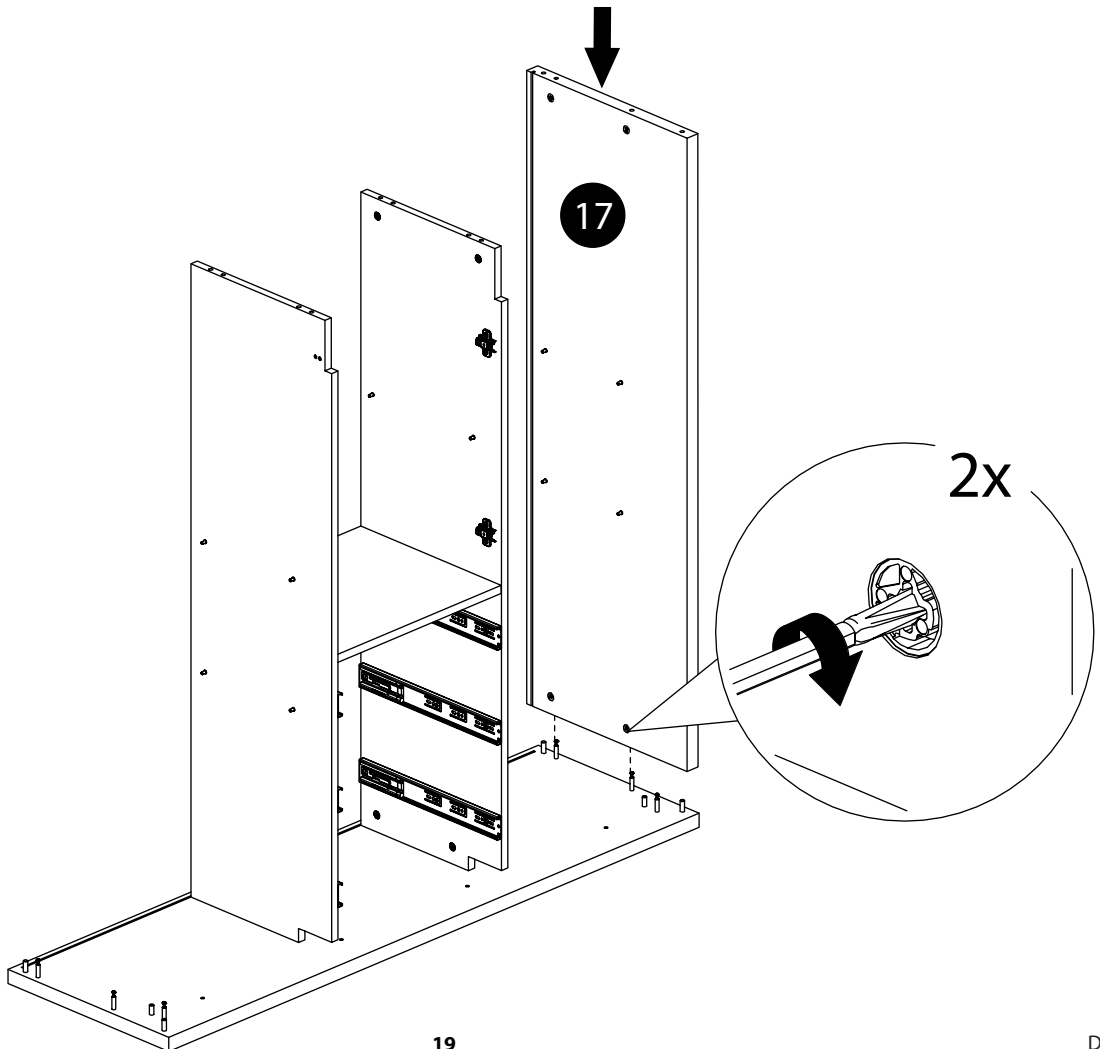
29.



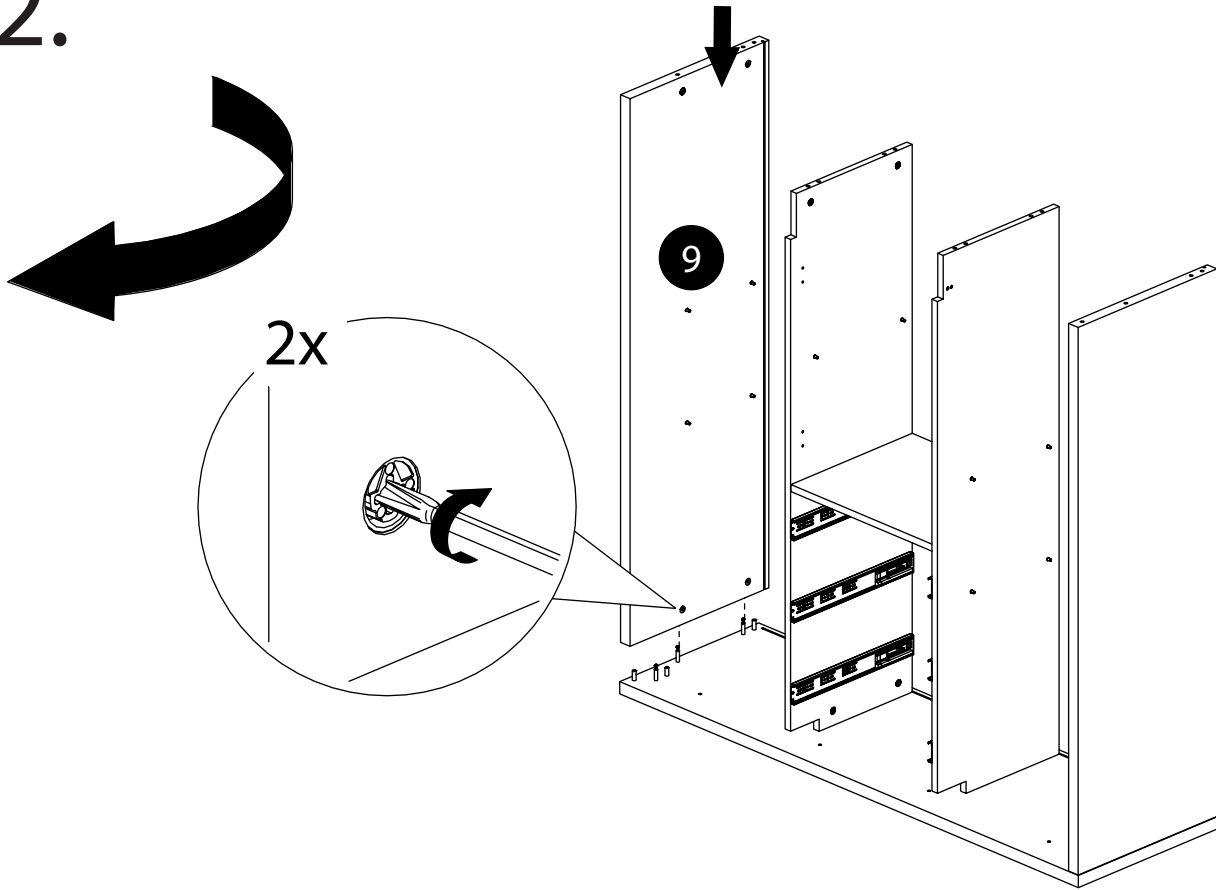
30.



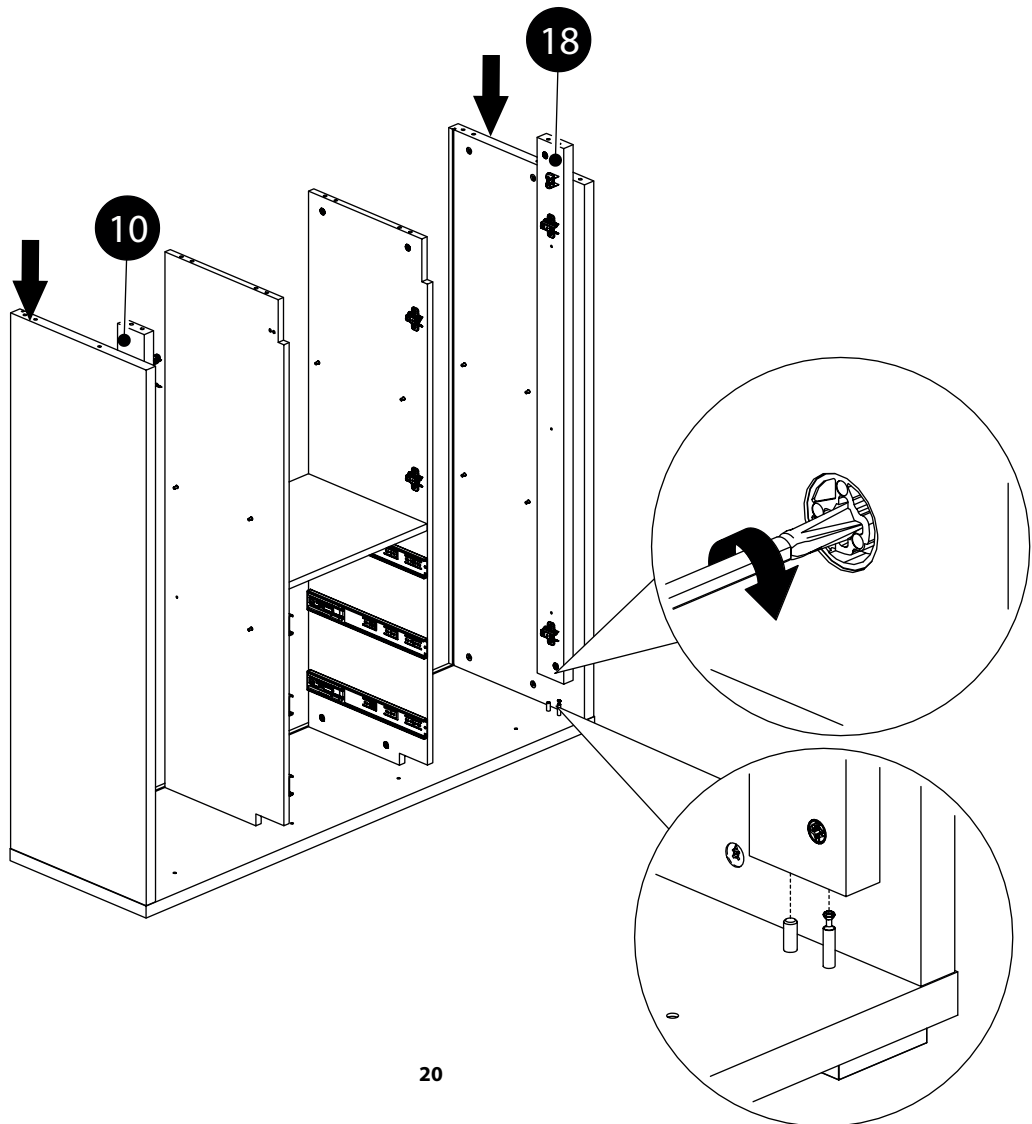
31.



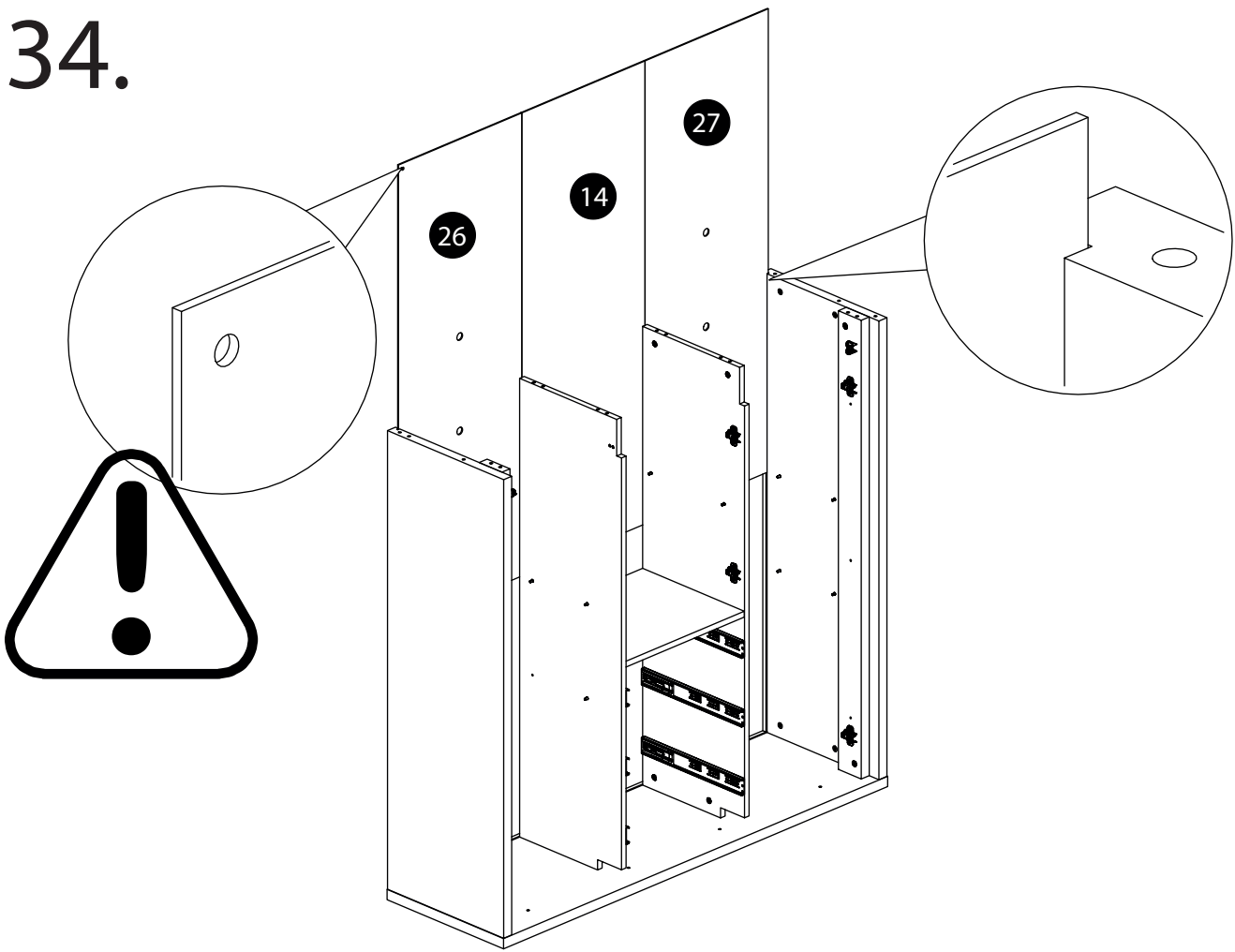
32.



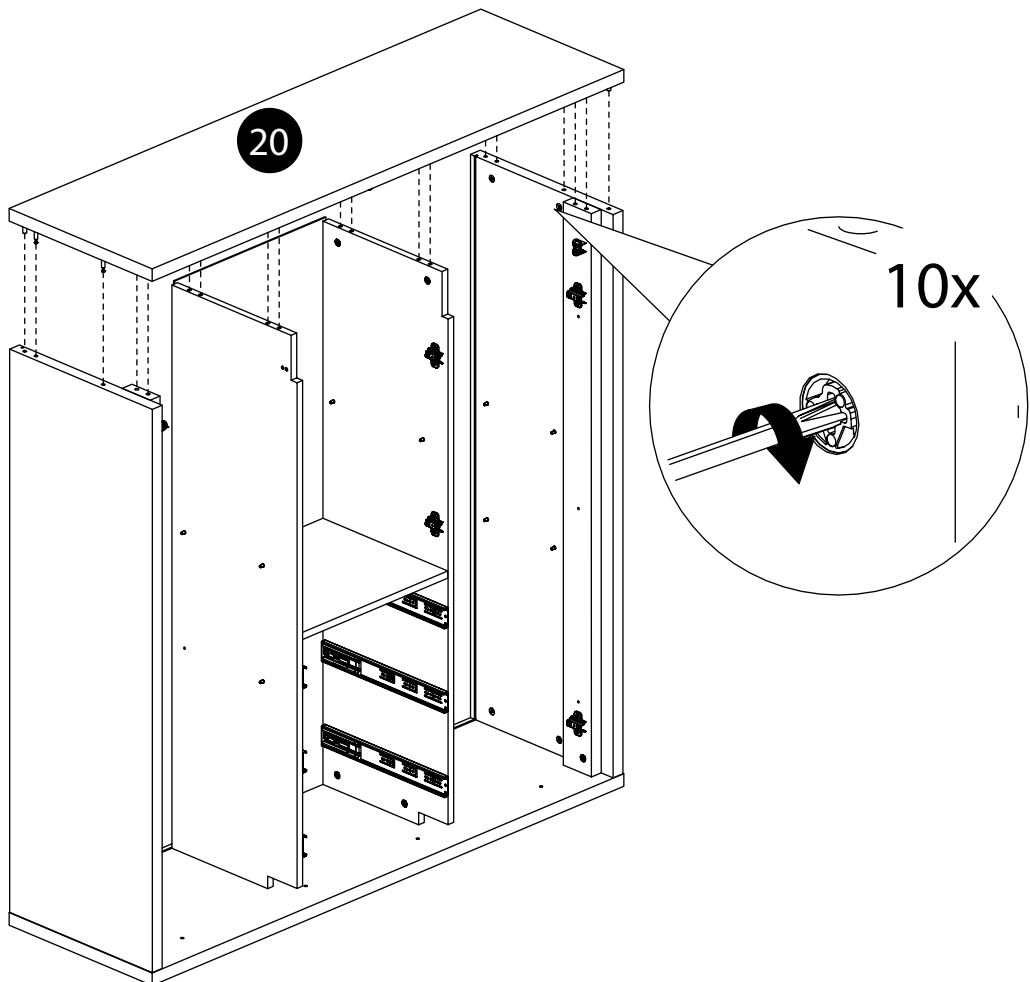
33.



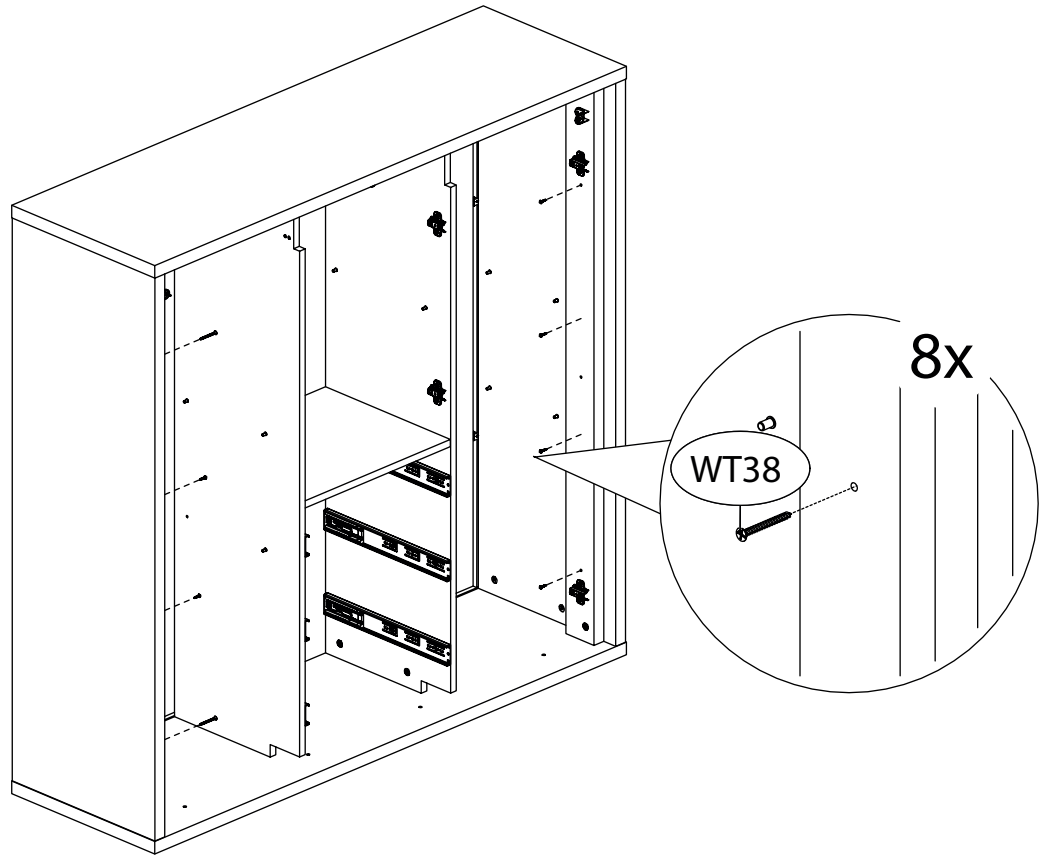
34.



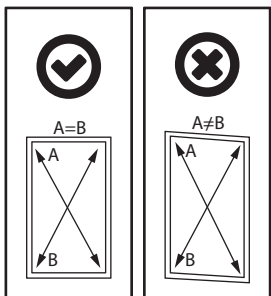
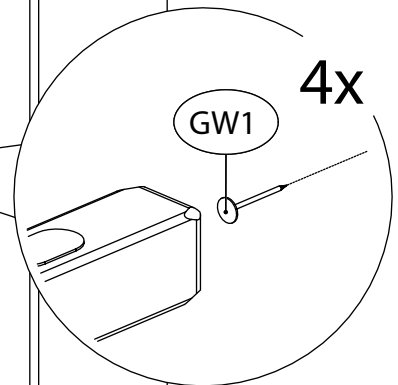
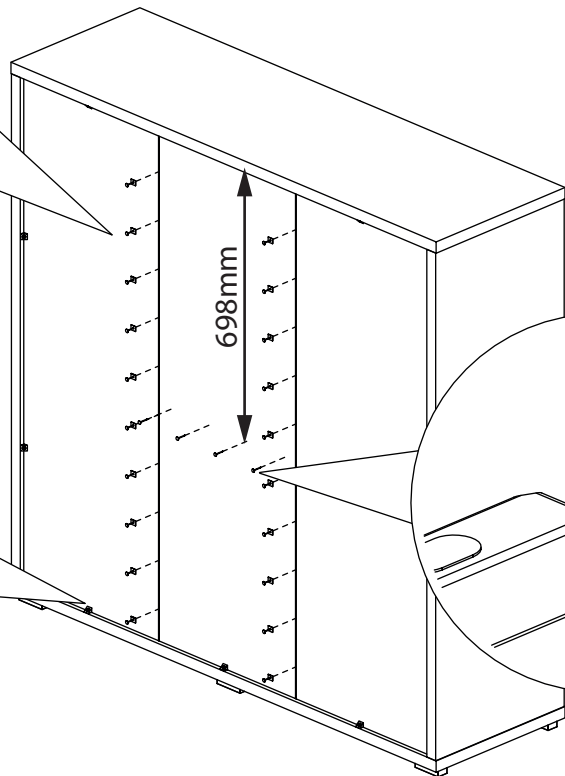
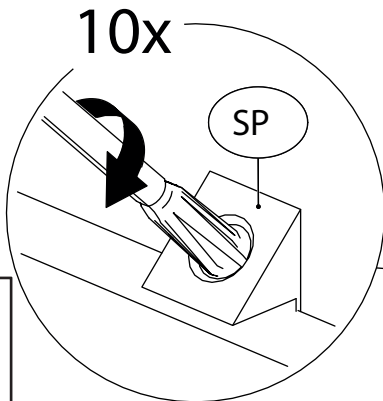
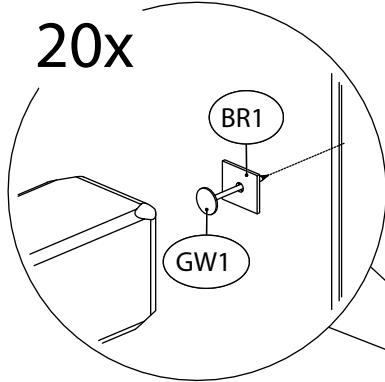
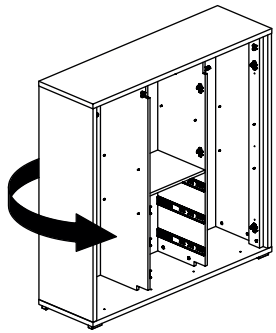
35.



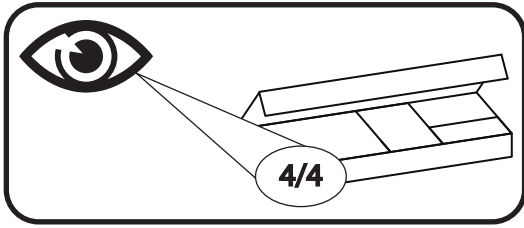
36.



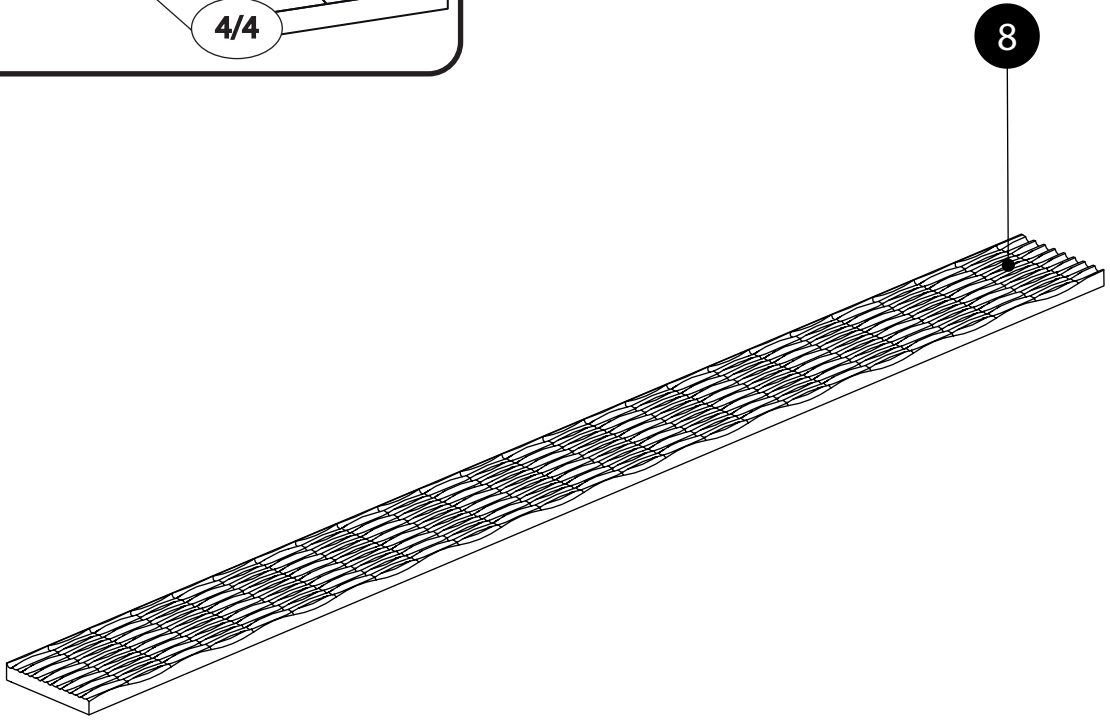
37.



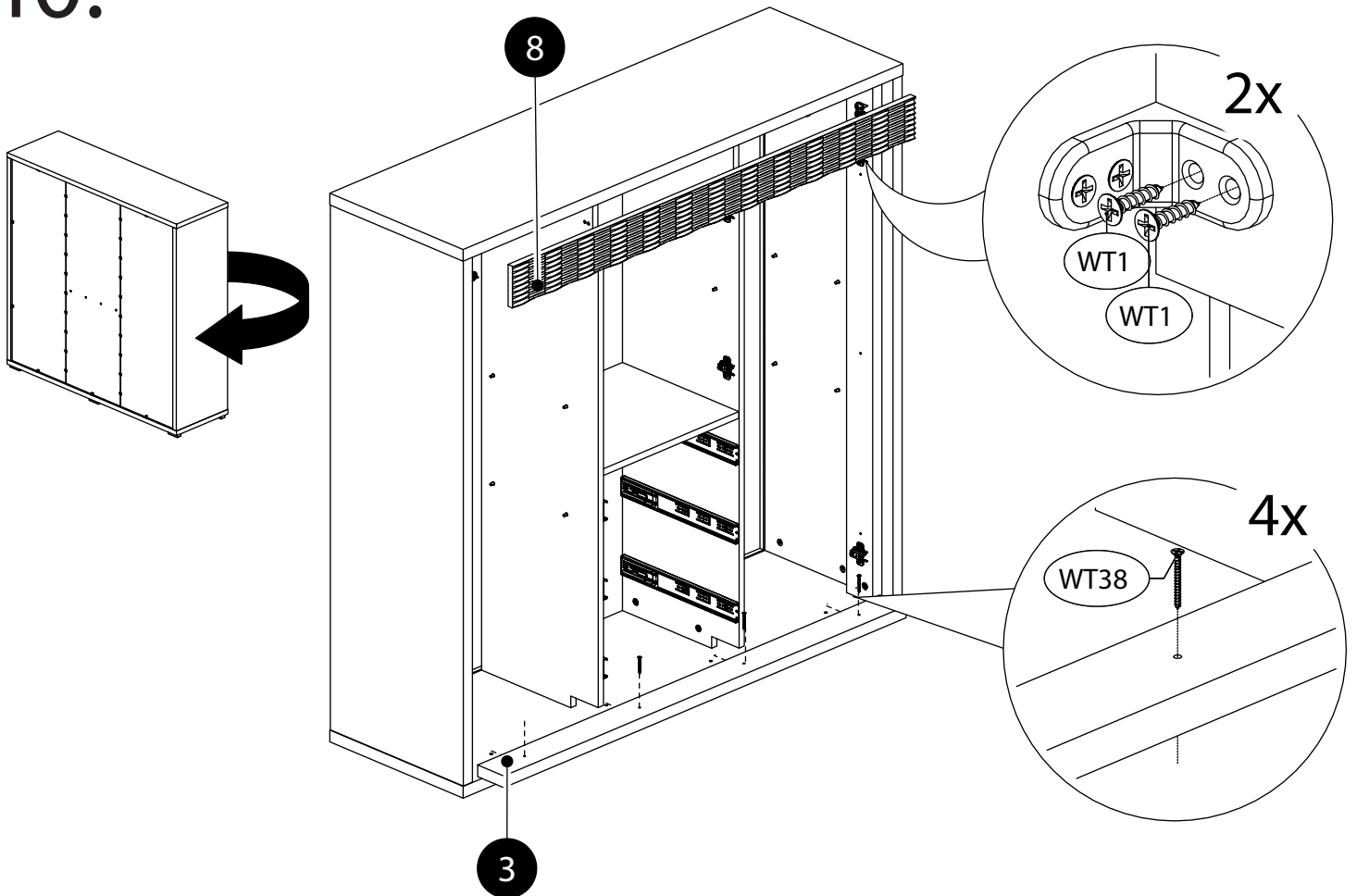
38.



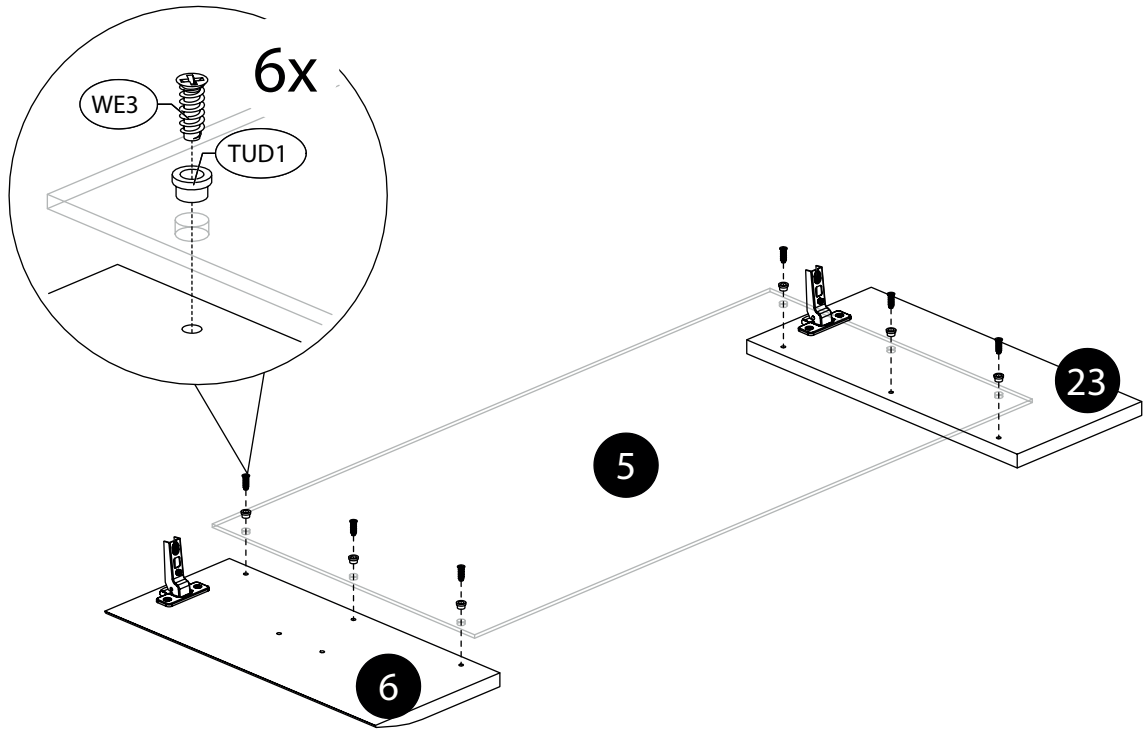
39.



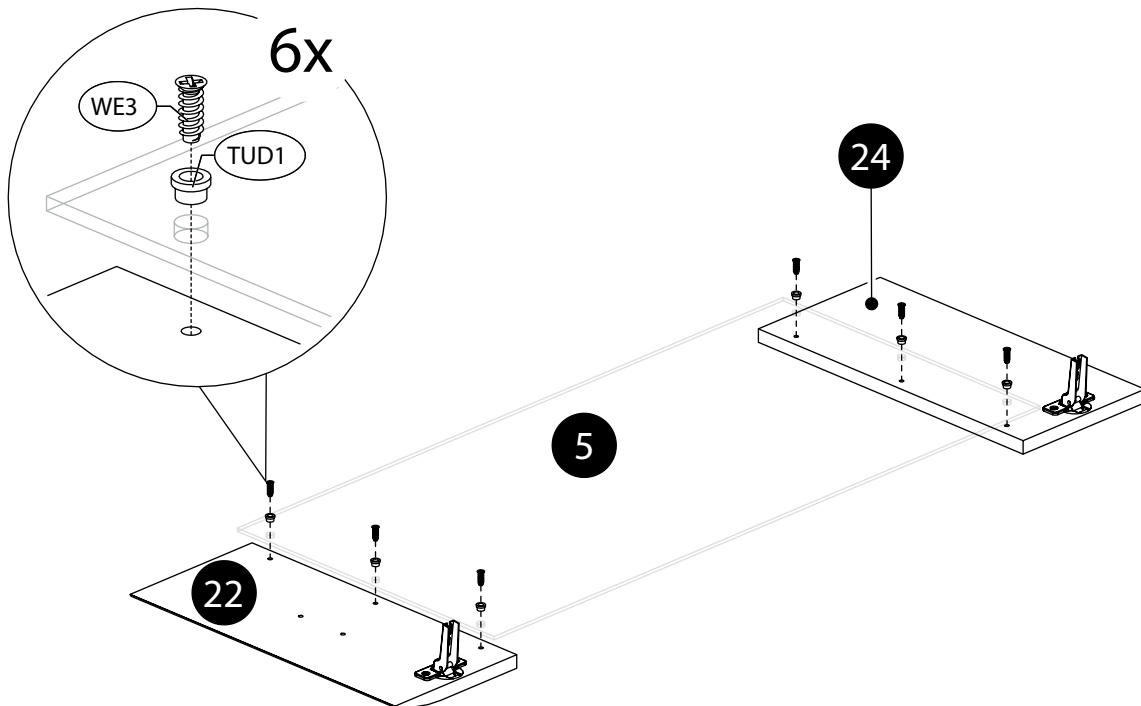
40.



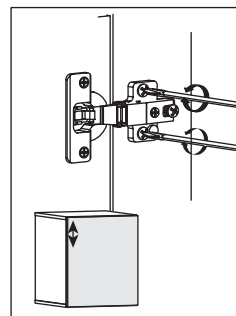
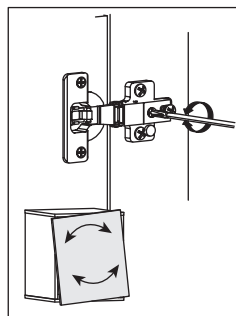
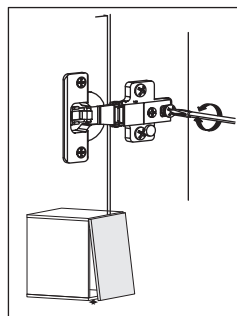
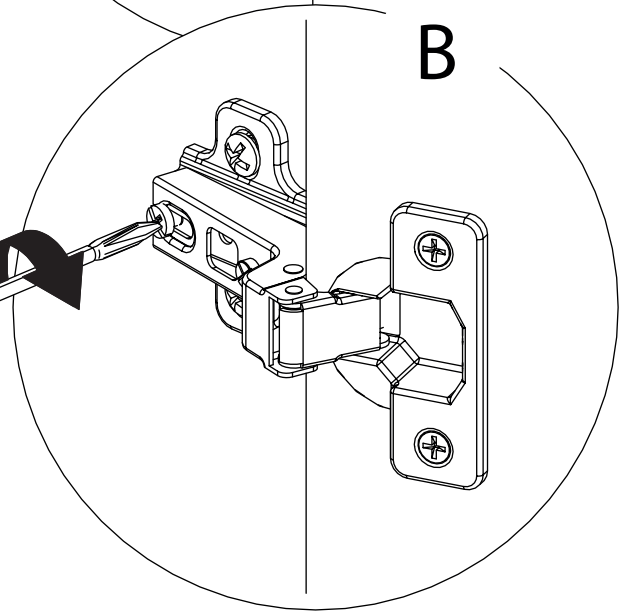
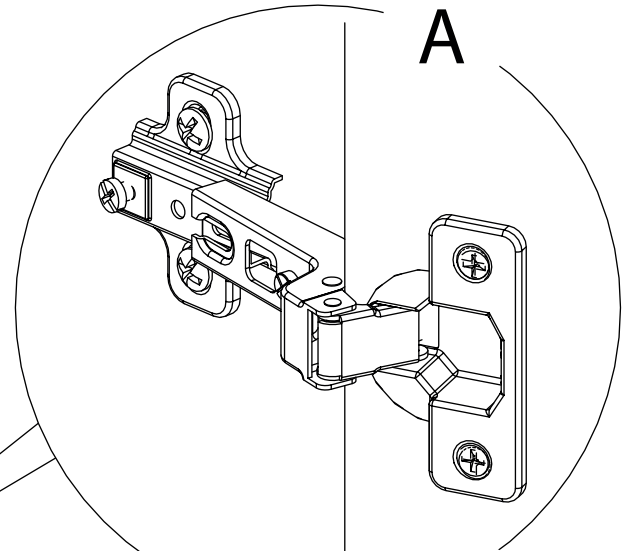
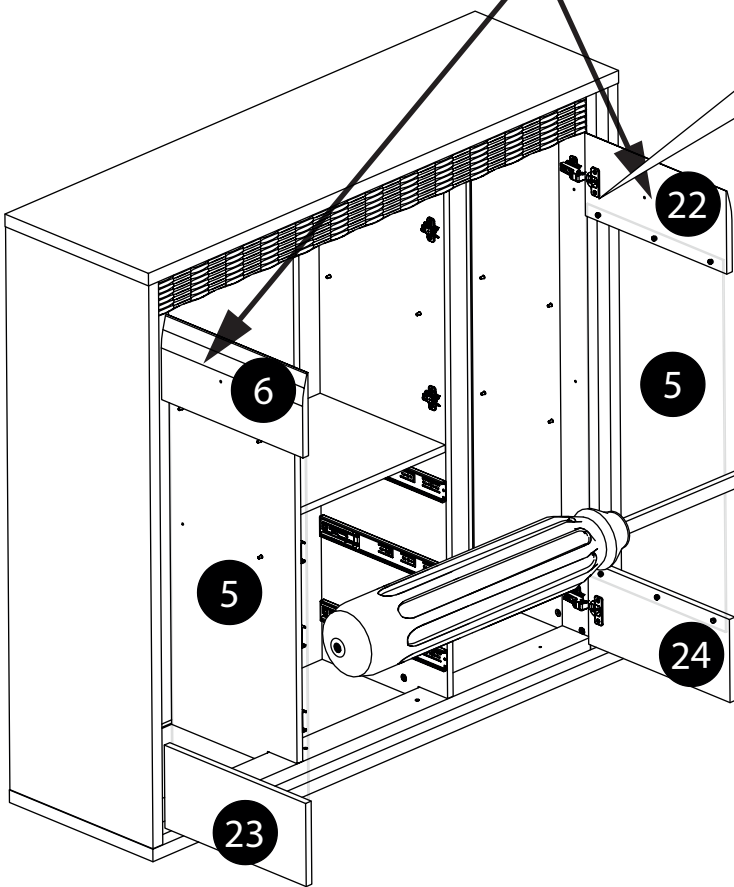
41.



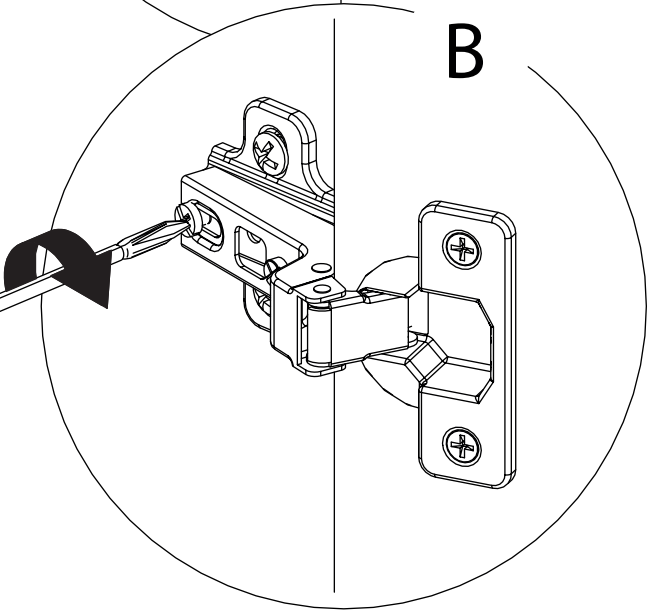
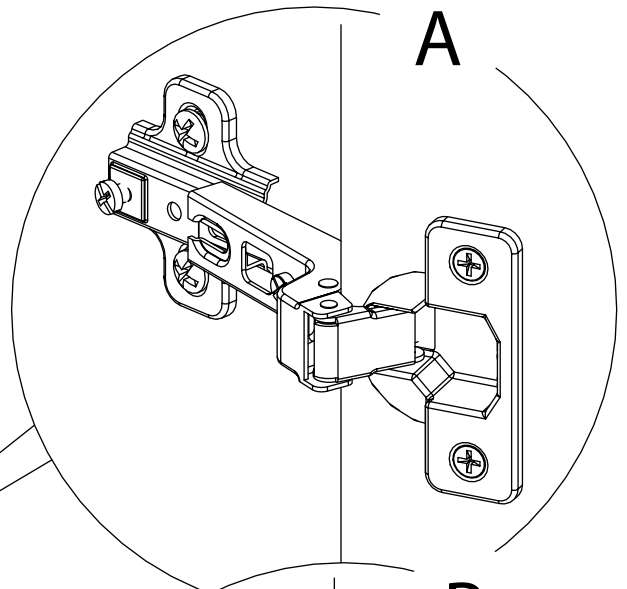
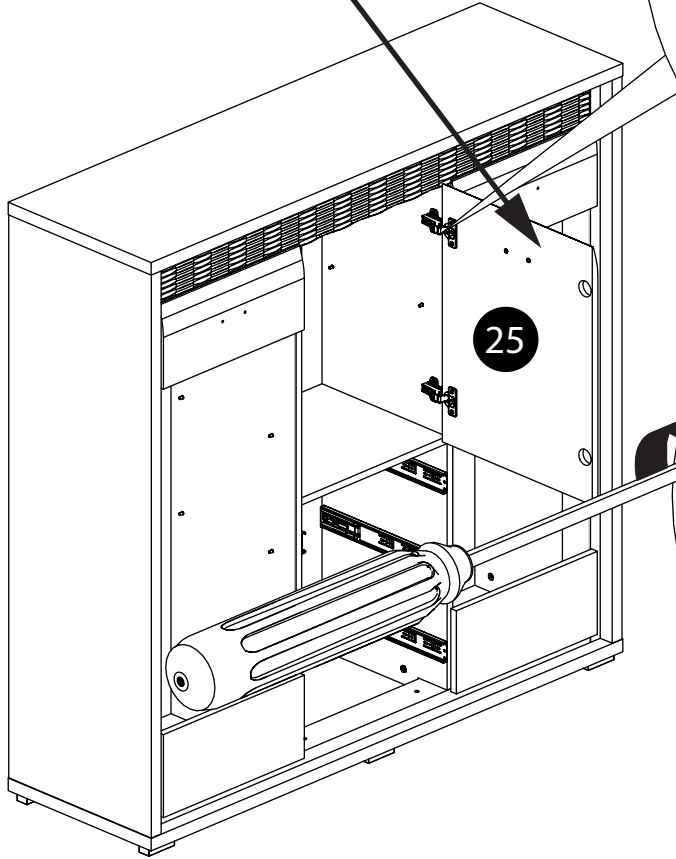
42.



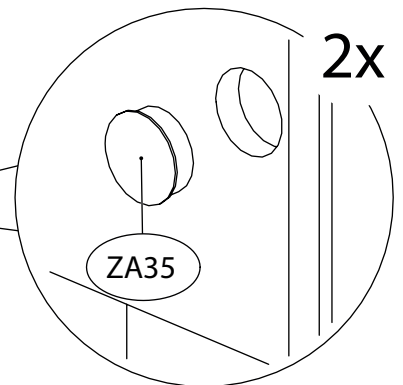
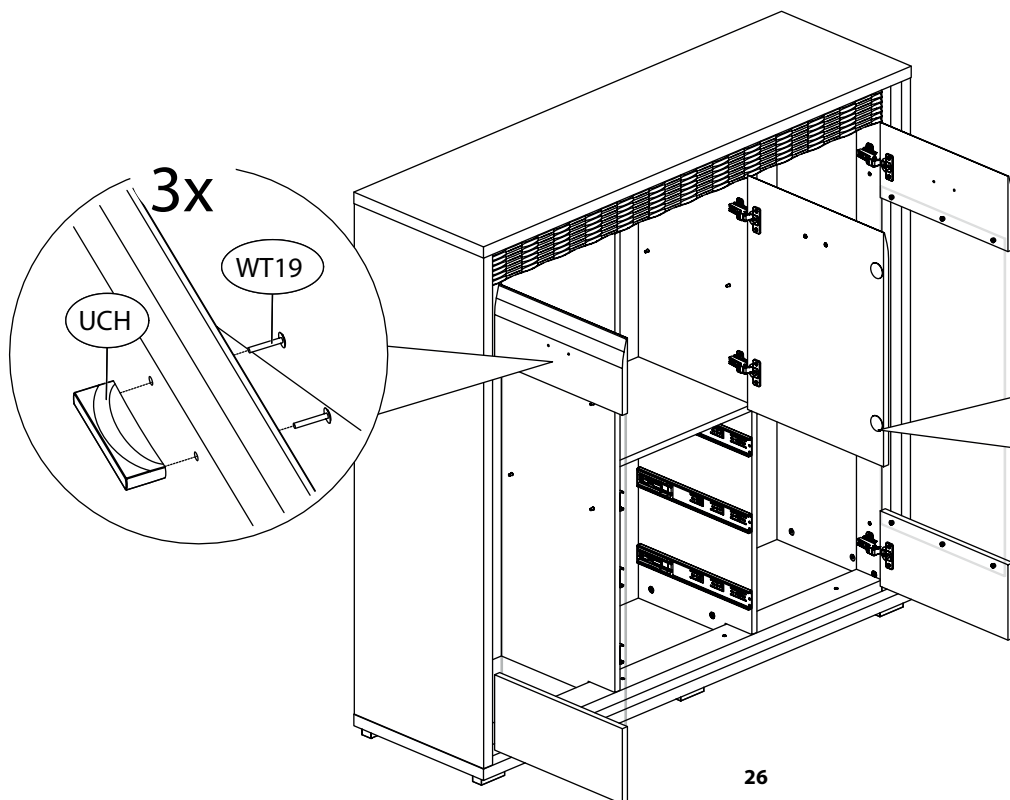
43.



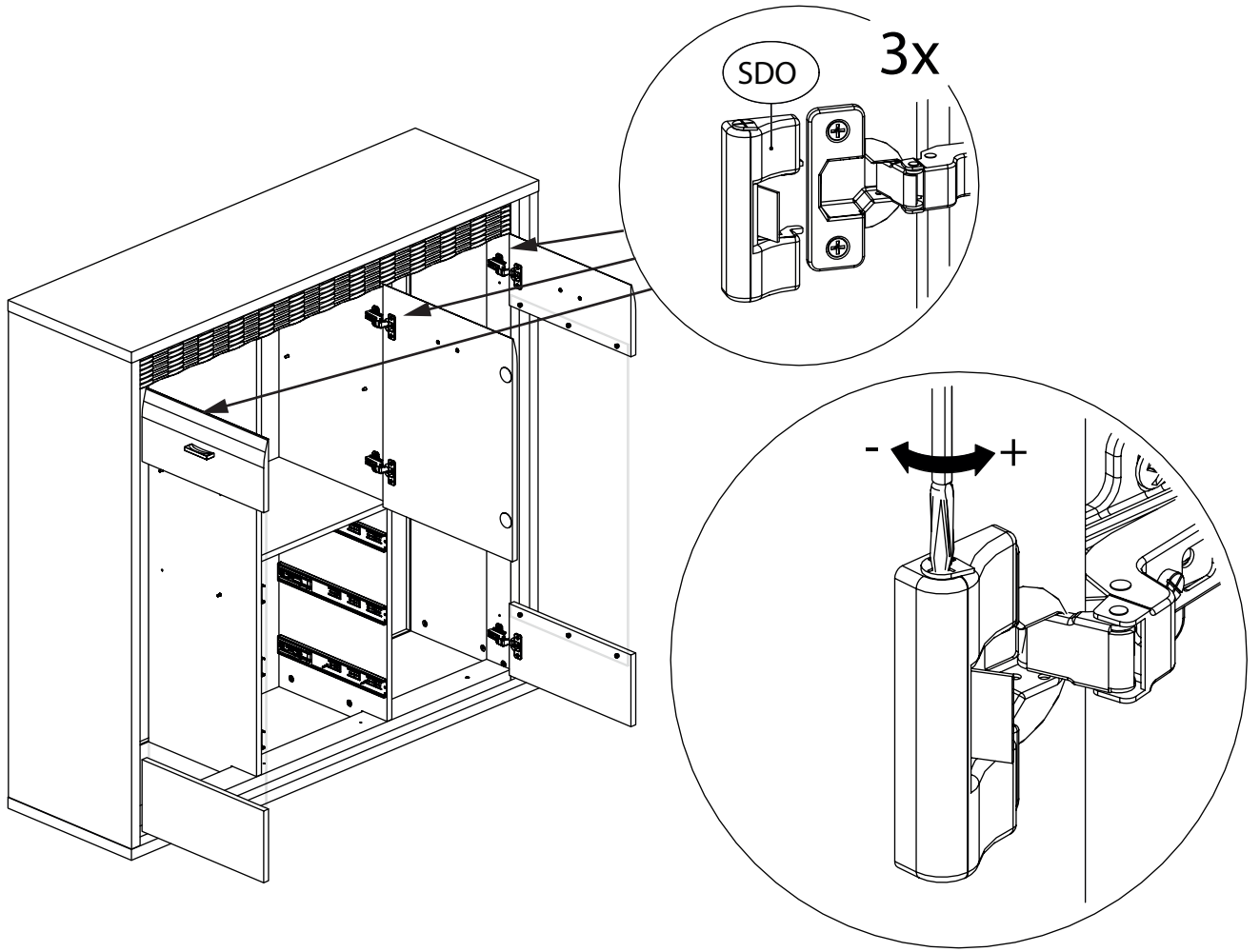
44.



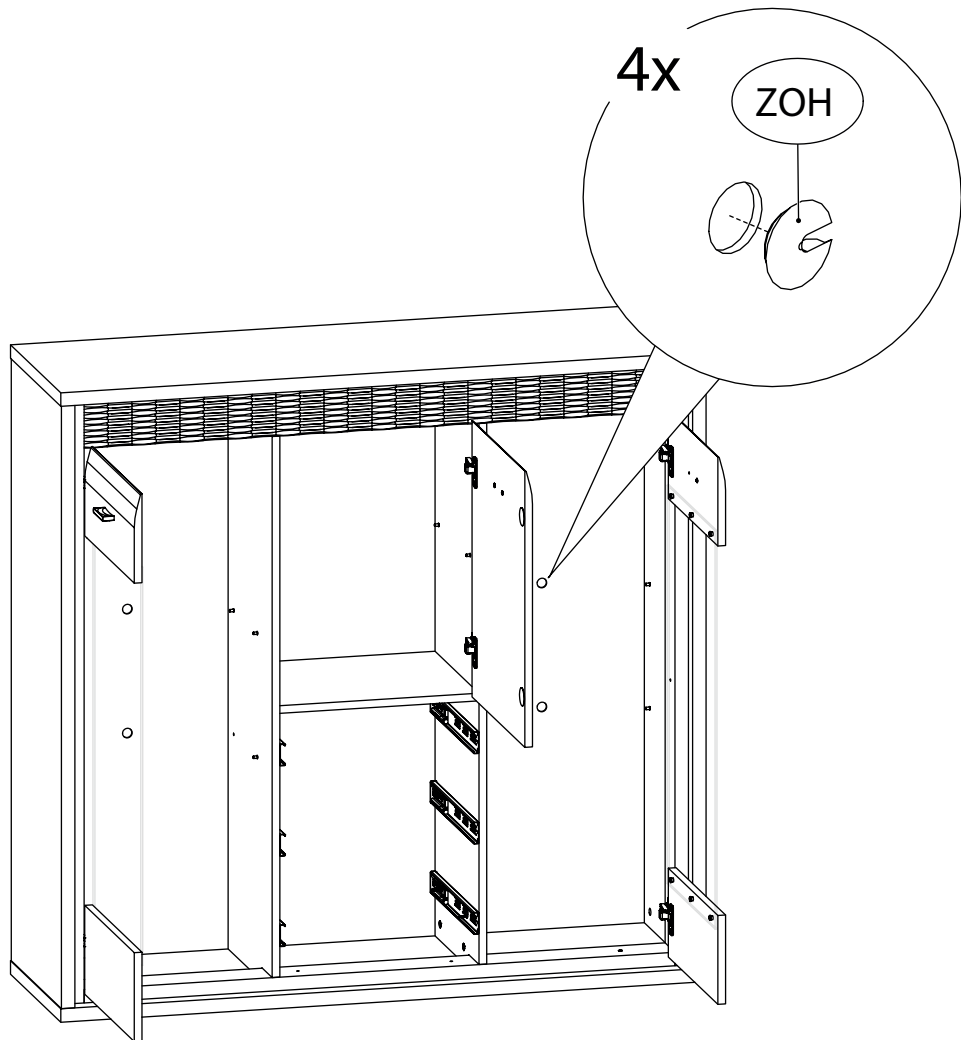
45.



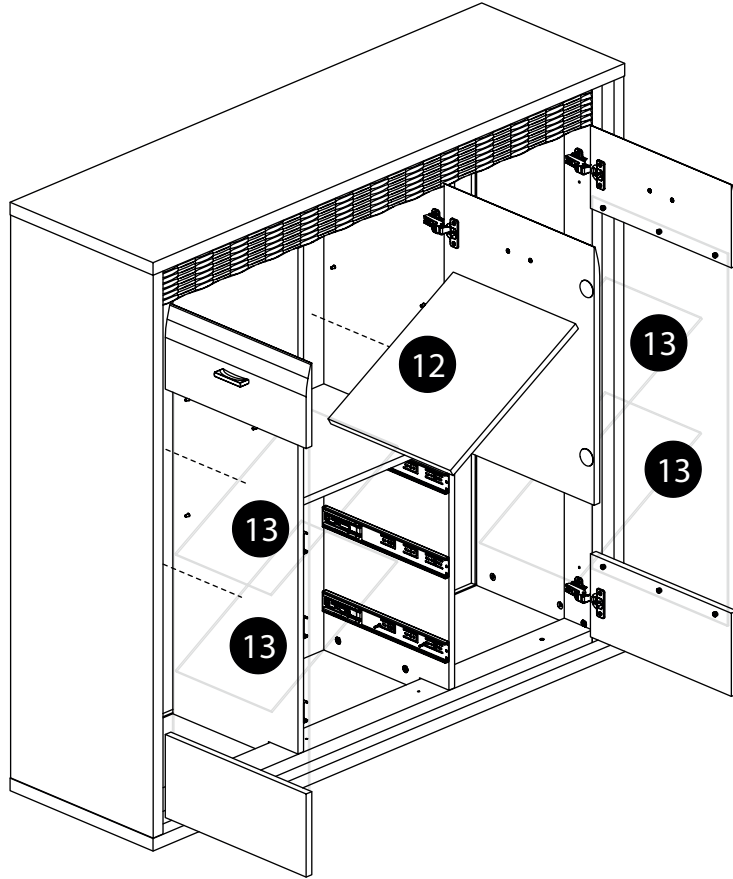
46.



47.

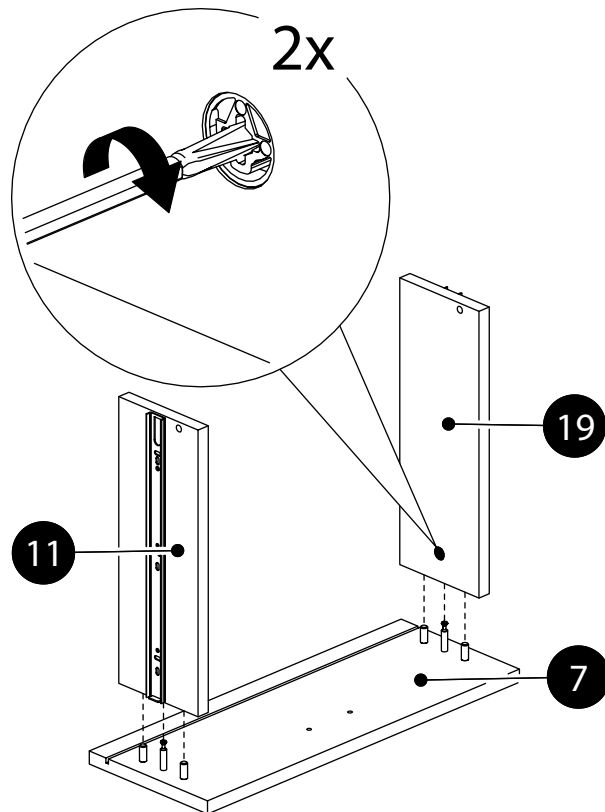


48.



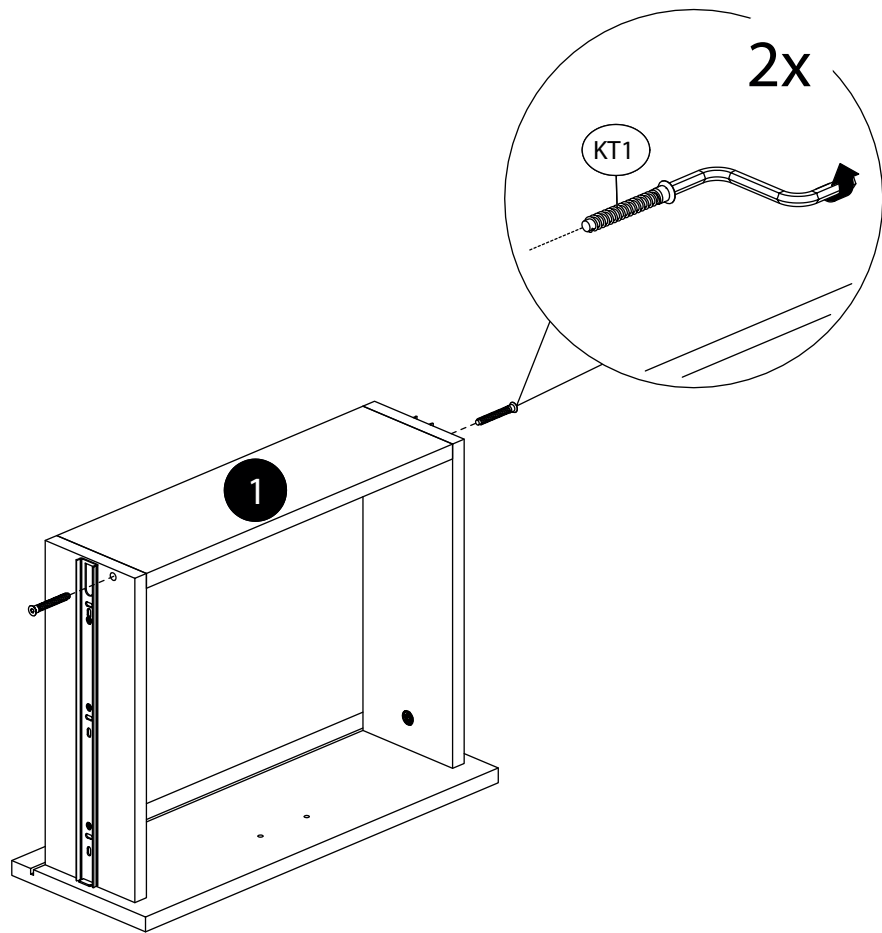
49.

x3



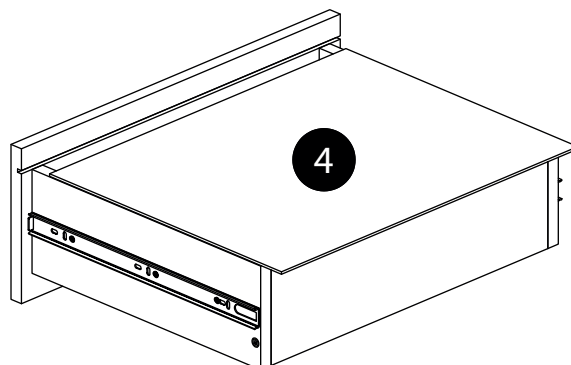
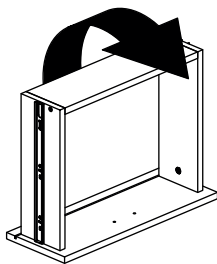
50.

x3



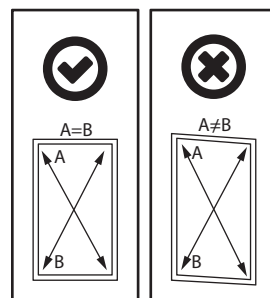
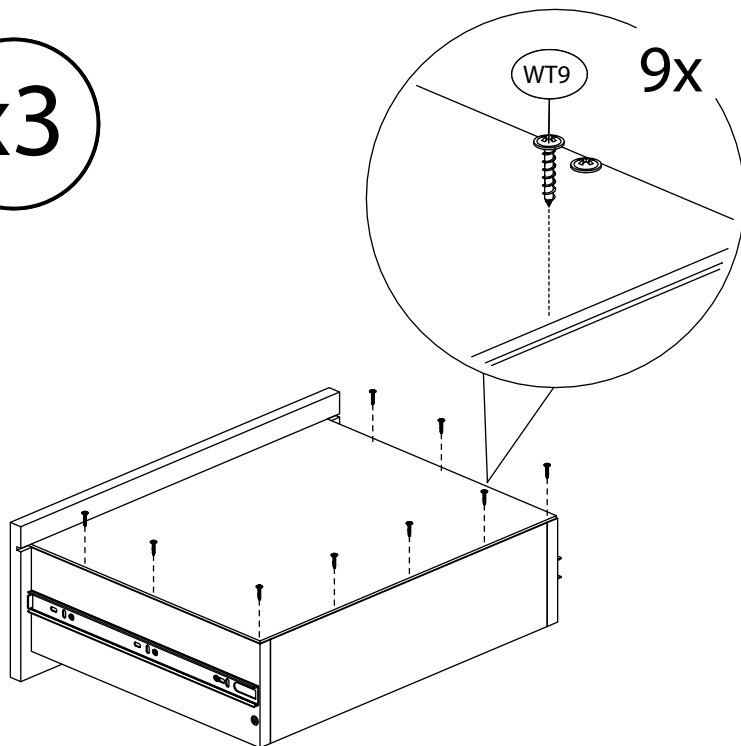
51.

x3



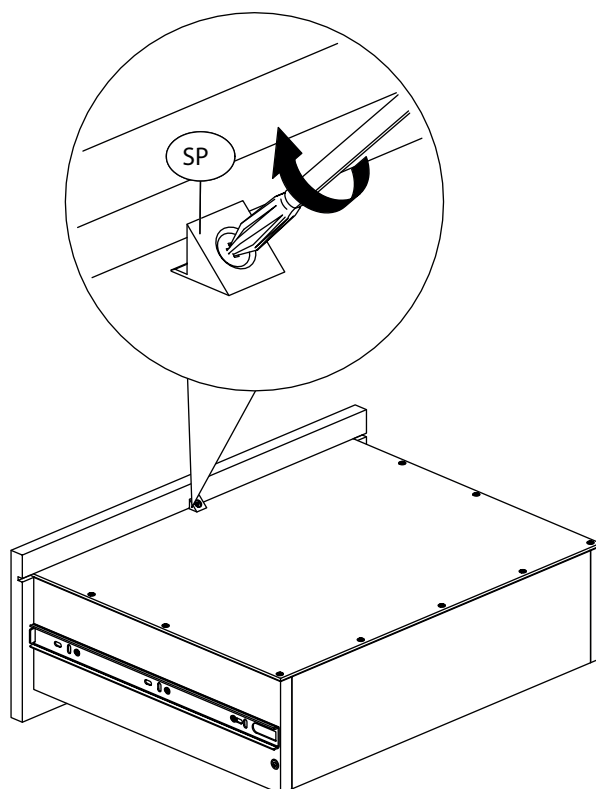
52.

x3



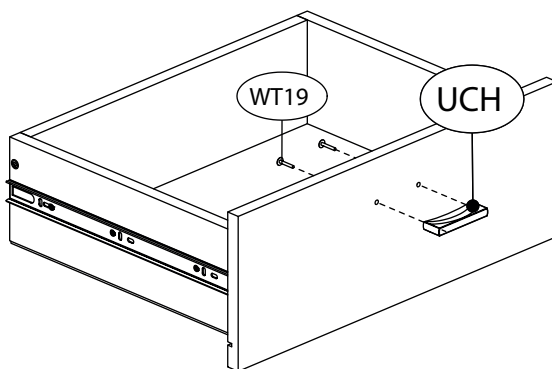
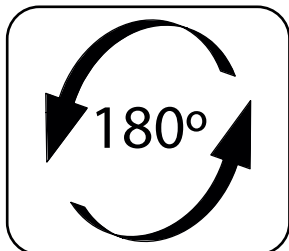
53.

x3

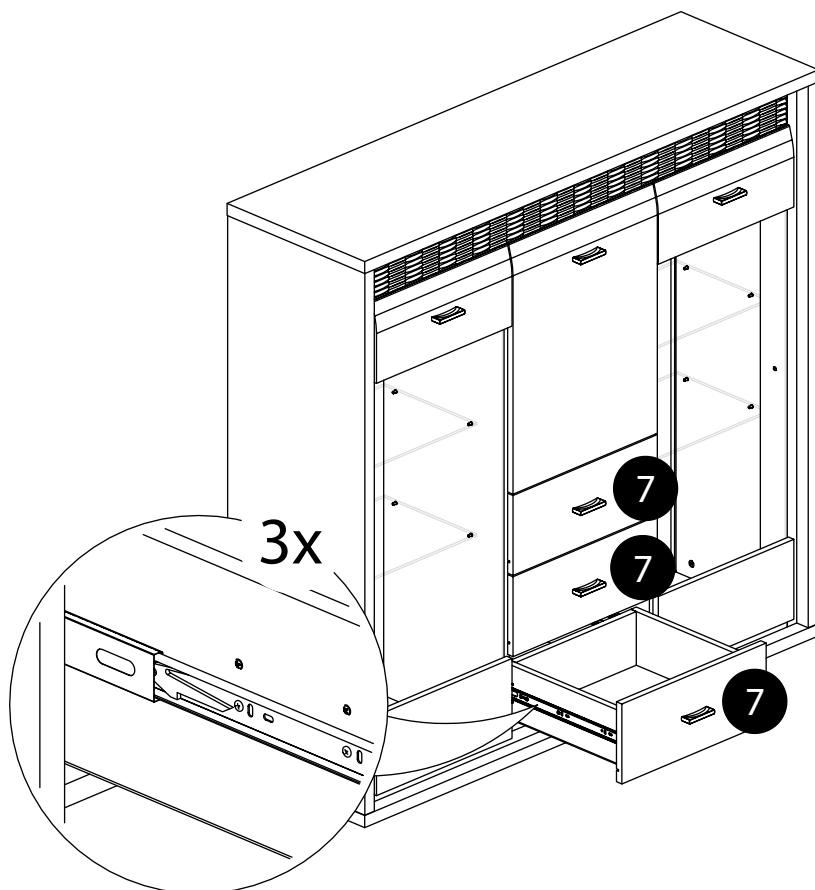


54.

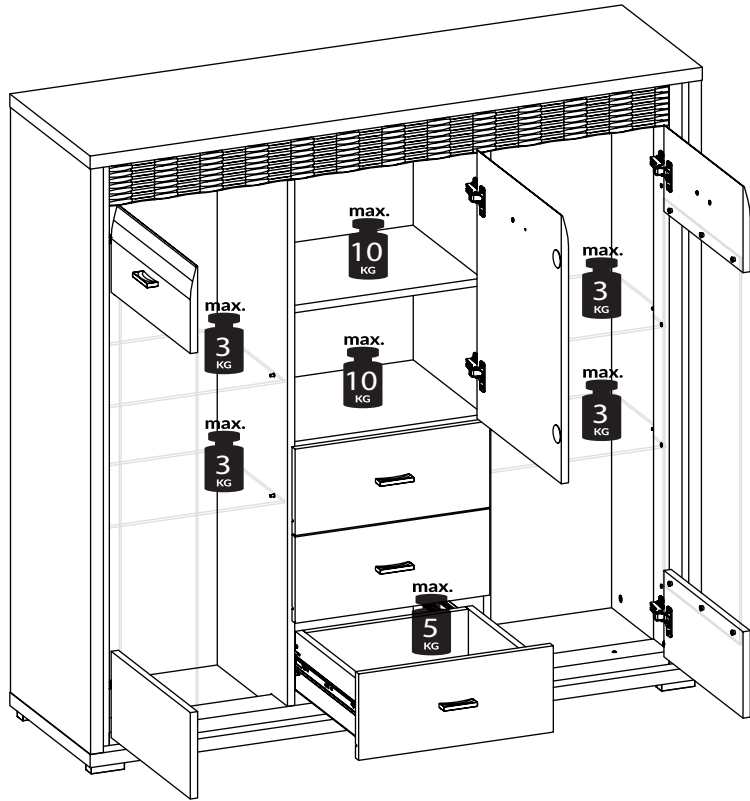
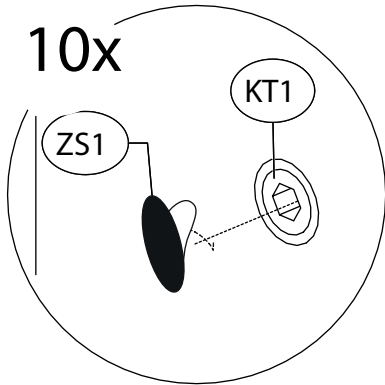
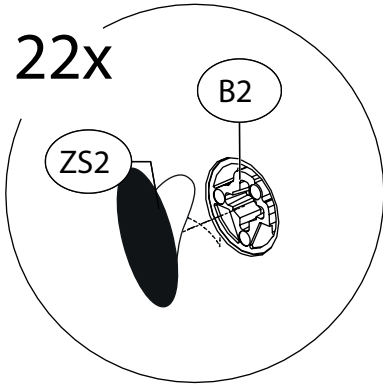
x3



55.



56.



57.

