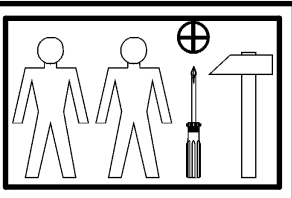
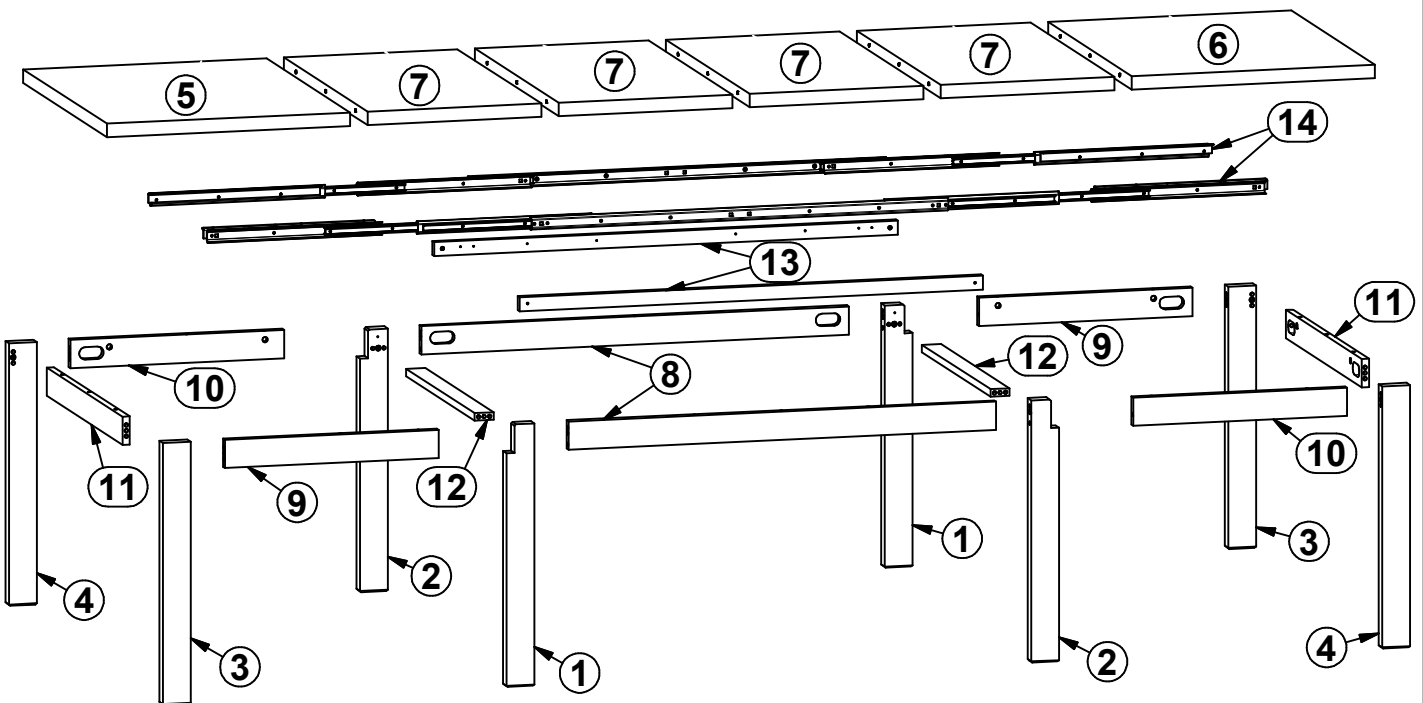
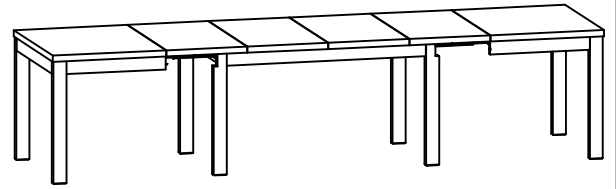


STOŁY

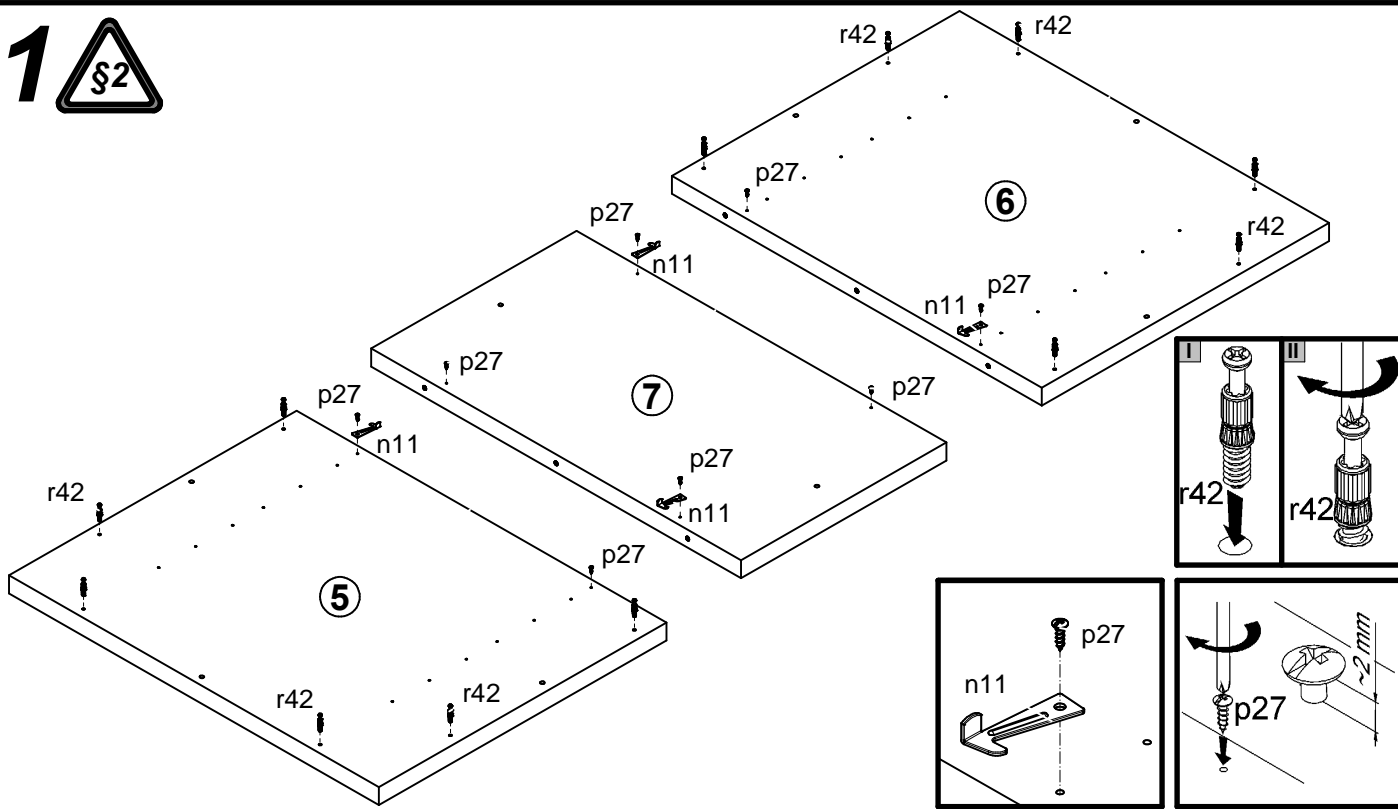
OCEAN 140/340

| A | B | C | D | |
|----|---------|------|-----|-----|
| 1 | TS1-174 | 742 | 80 | 2/4 |
| 2 | TS1-175 | 742 | 80 | 2/4 |
| 3 | TS1-176 | 742 | 80 | 2/4 |
| 4 | TS1-177 | 742 | 80 | 2/4 |
| 5 | TS1-291 | 700 | 900 | 1/4 |
| 6 | TS1-292 | 700 | 900 | 1/4 |
| 7 | TS1-293 | 500 | 900 | 1/4 |
| 8 | TS1-493 | 1230 | 80 | 4/4 |
| 9 | TS1-494 | 615 | 80 | 3/4 |
| 10 | TS1-495 | 615 | 80 | 3/4 |
| 11 | TS1-496 | 814 | 80 | 3/4 |
| 12 | TS1-497 | 736 | 55 | 2/4 |
| 13 | TS1-498 | 1334 | 40 | 4/4 |
| 14 | w54 | | | 4/4 |

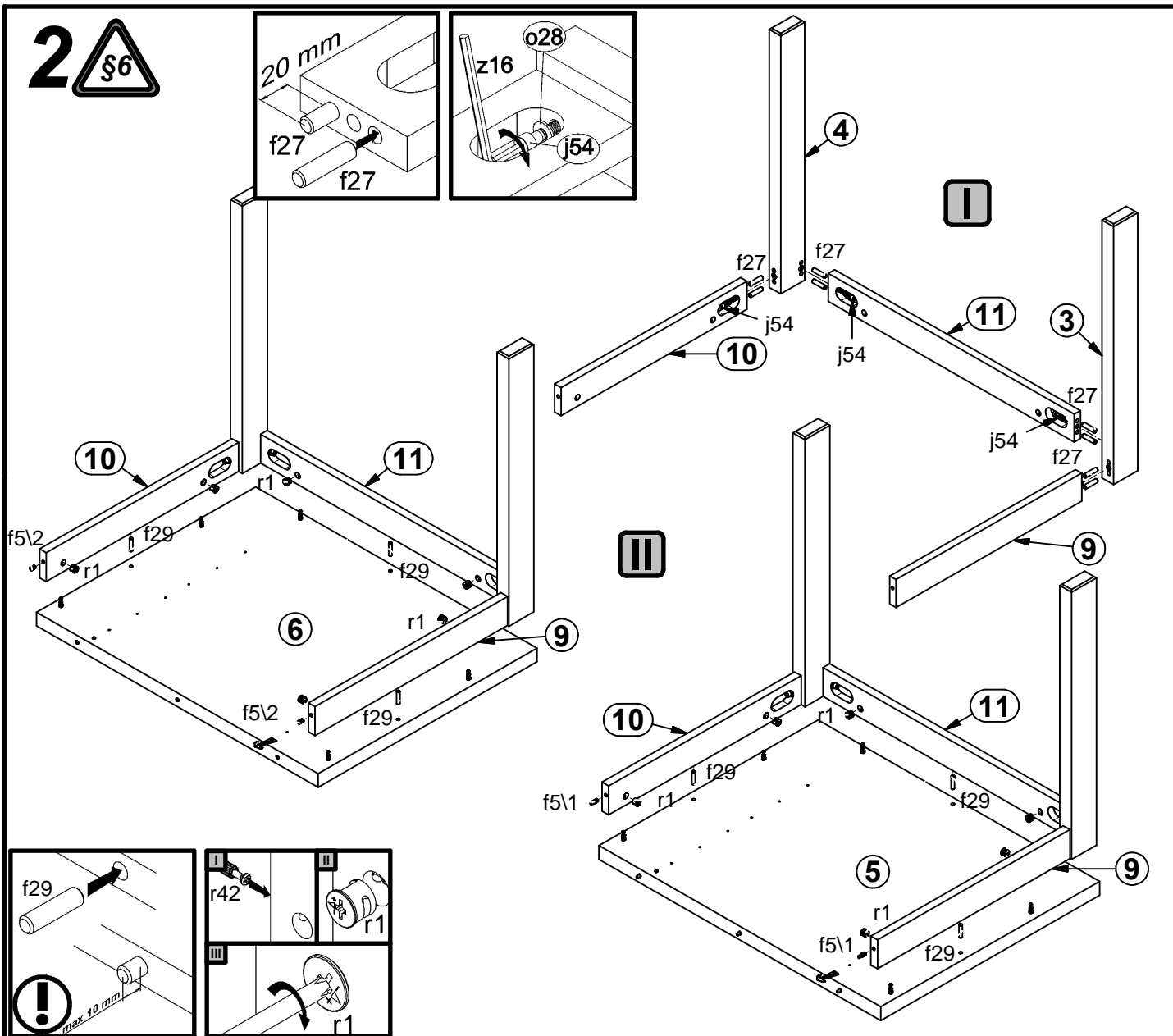


| | | | | | | | | |
|-------------------------|----------------------------|------------------------|------------------------|------------------------|------------|------------------------------|---------------------------|----------------------|
| 32x φ10x40 mm f27 | 6x φ8x35 mm f29 | 4x metalowy f5\1 | 2x metalowy f5\2 | 16x M8x40 mm j54 | 10x n11 | 16x φ8(φ17)x1.8 mm o28 | 20x φ3.5x1.3 mm p27 | 4x φ4x35 mm p6 |
| 40x φ4x20 mm p68 | 12x φ1.5x12mm #16 r1 | 12x r42 | 1x 6mm z16 | | | | | |

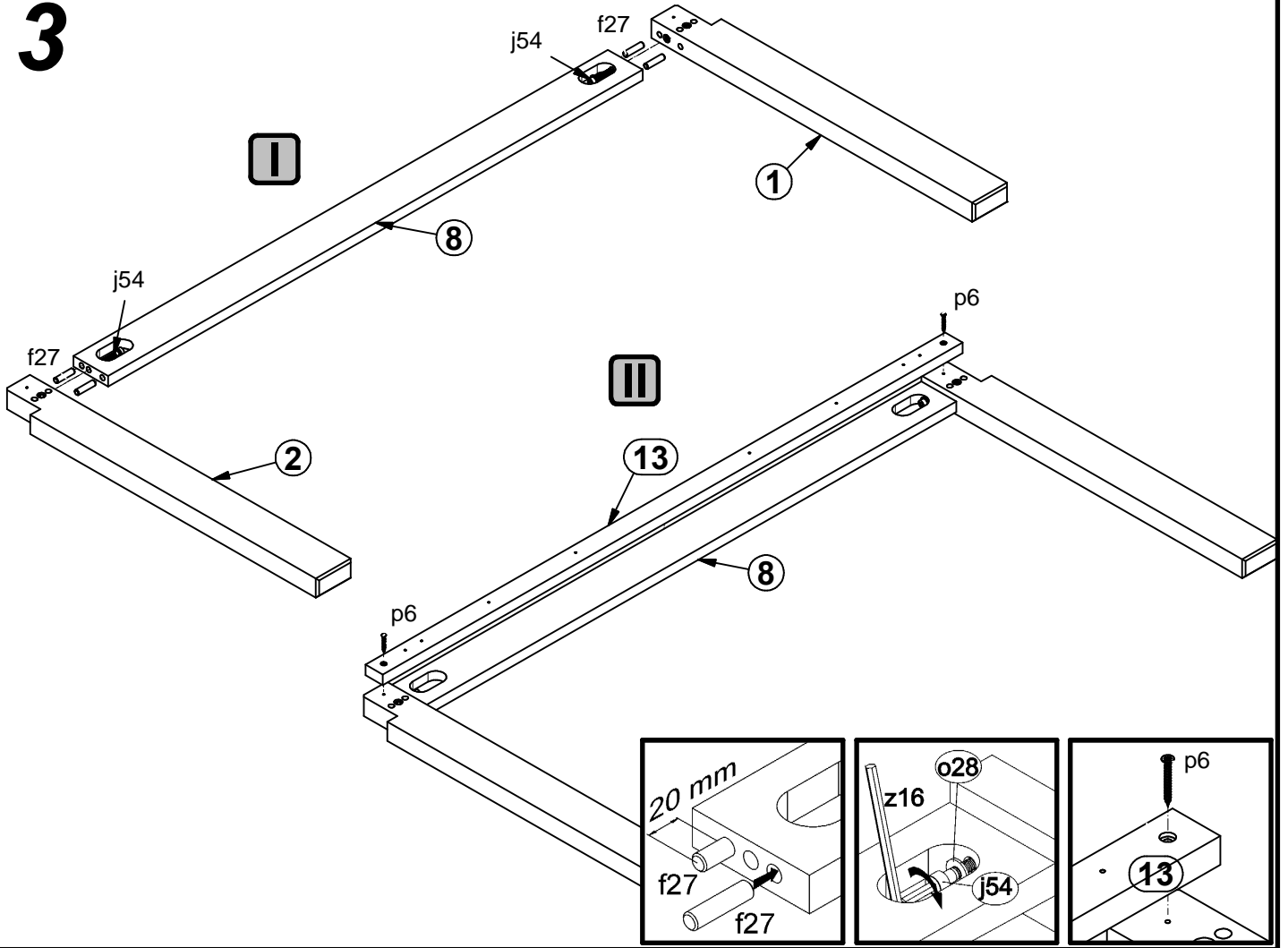
1 



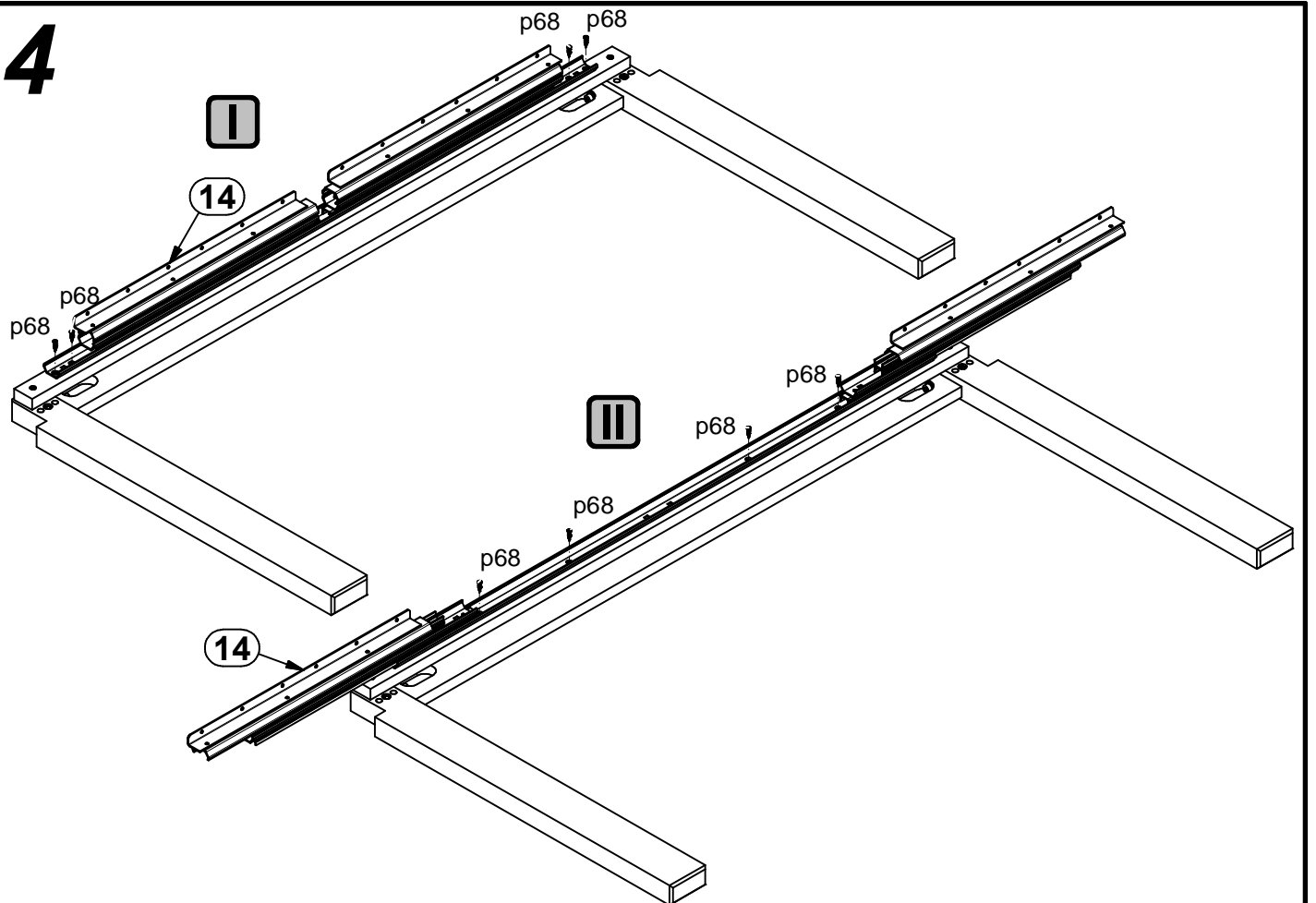
2 



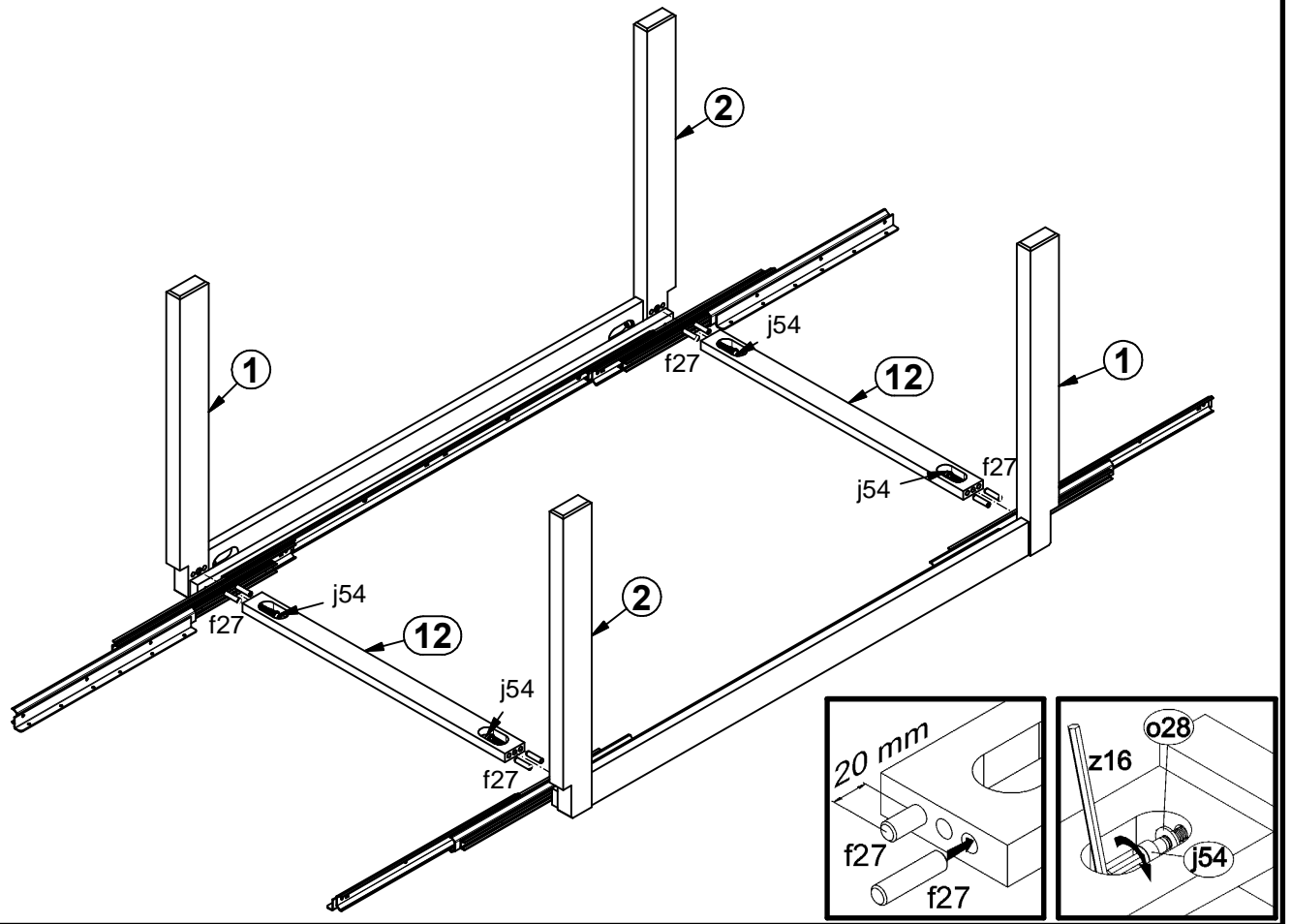
3



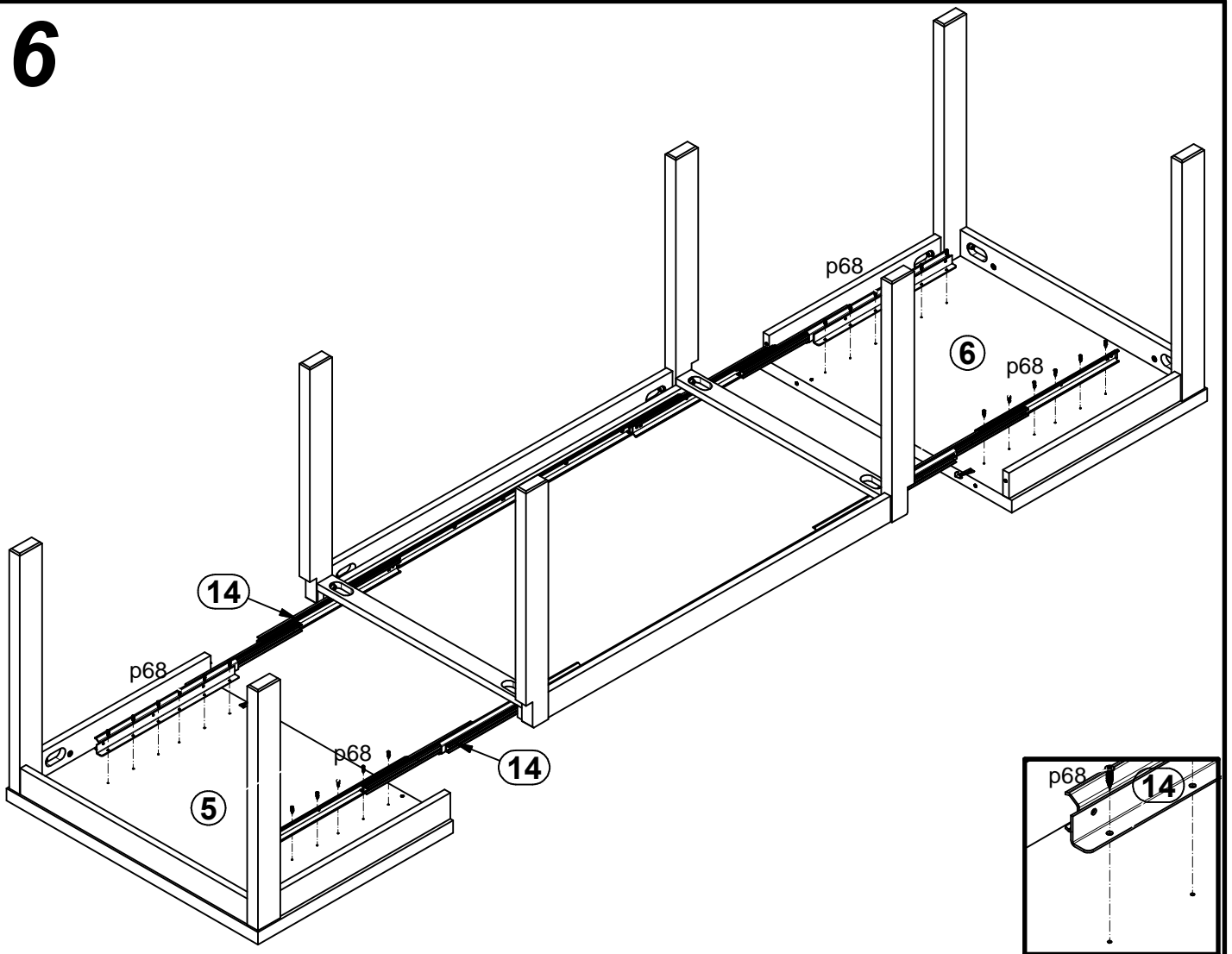
4



5



6



7

