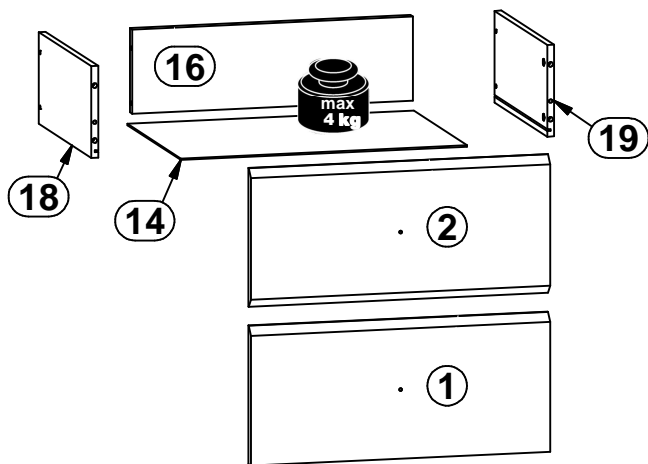
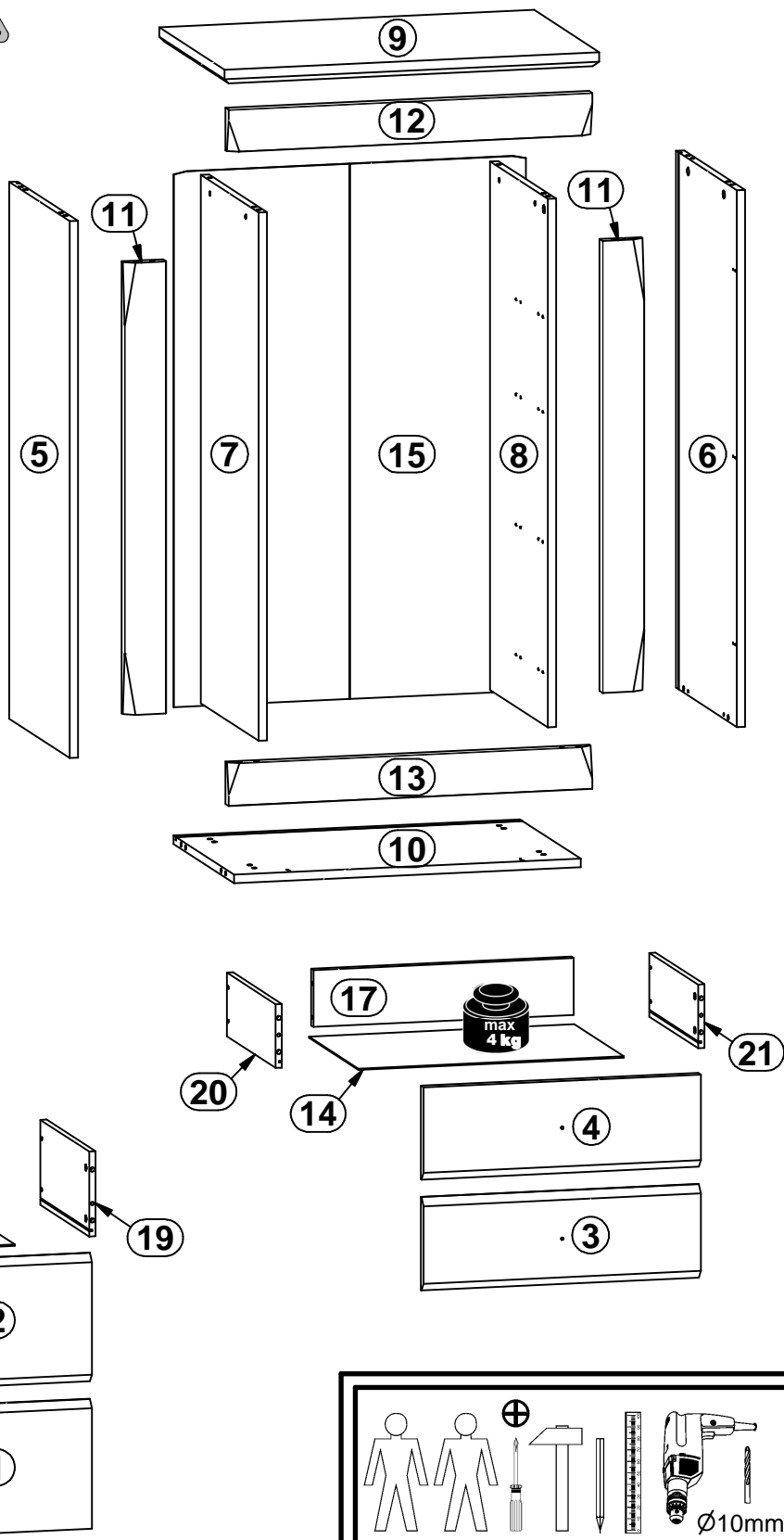
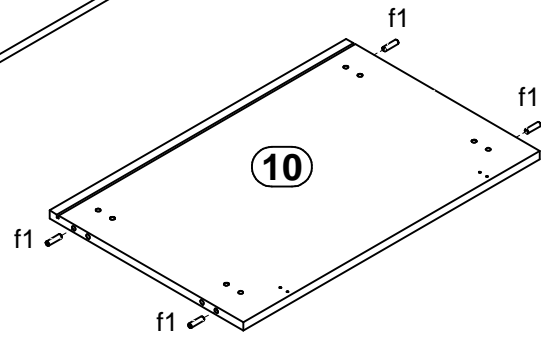
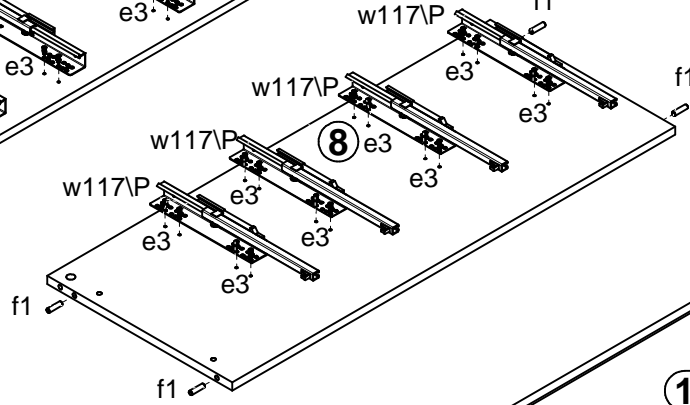
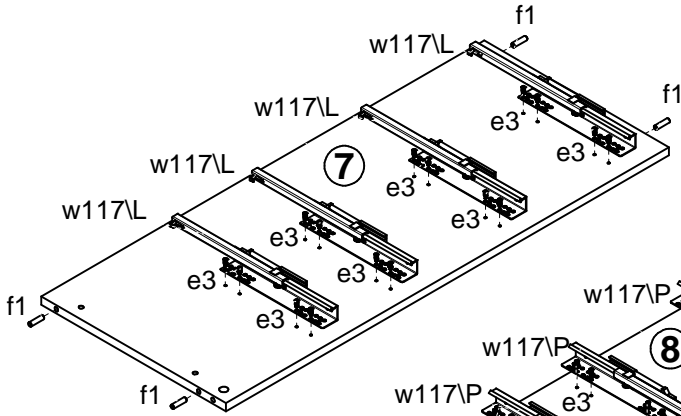
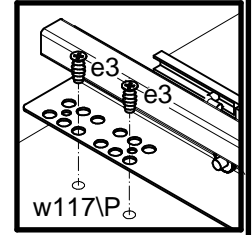
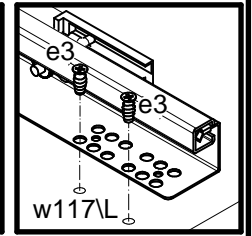
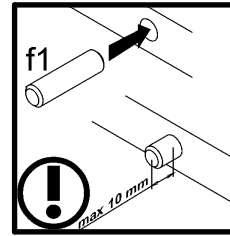


| A | B | C | D | |
|----|-----------|------|-----|-----|
| 1 | S359-0001 | 533 | 242 | 4/5 |
| 2 | S359-0002 | 533 | 242 | 4/5 |
| 3 | S359-0003 | 533 | 176 | 4/5 |
| 4 | S359-0004 | 533 | 176 | 4/5 |
| 5 | S359-1001 | 1011 | 435 | 1/5 |
| 6 | S359-1002 | 1011 | 435 | 1/5 |
| 7 | S359-1003 | 995 | 415 | 1/5 |
| 8 | S359-1004 | 995 | 415 | 1/5 |
| 9 | S359-2001 | 720 | 468 | 2/5 |
| 10 | S359-3001 | 666 | 435 | 2/5 |
| 11 | S359-5001 | 851 | 80 | 3/5 |
| 12 | S359-5002 | 699 | 80 | 3/5 |
| 13 | S359-5003 | 699 | 80 | 3/5 |
| 14 | S359-9001 | 510 | 355 | 1/5 |
| 15 | S359-9301 | 1008 | 677 | 1/5 |
| 16 | ZQ2-1511 | 500 | 147 | 1/5 |
| 17 | ZQ2-519 | 500 | 107 | 1/5 |
| 18 | ZQ3-503 | 350 | 160 | 1/5 |
| 19 | ZQ3-504 | 350 | 160 | 1/5 |
| 20 | ZQ3-507 | 350 | 120 | 1/5 |
| 21 | ZQ3-508 | 350 | 120 | 1/5 |

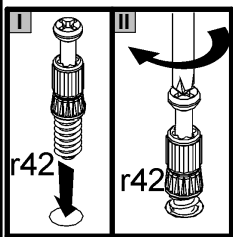
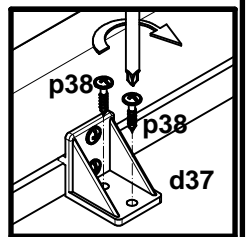
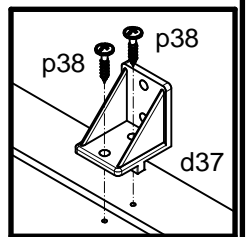
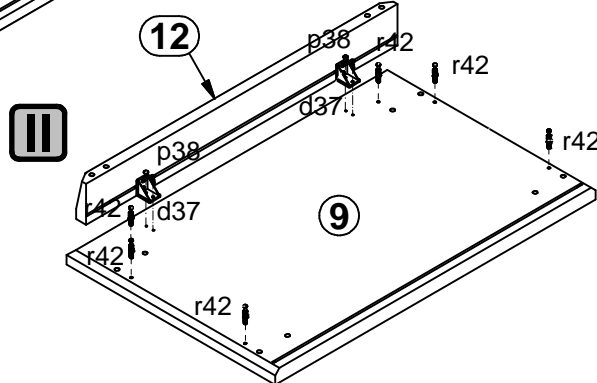
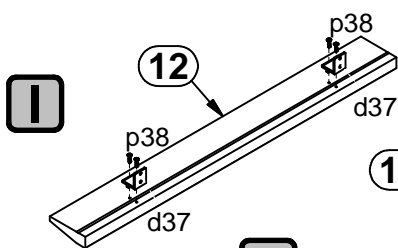
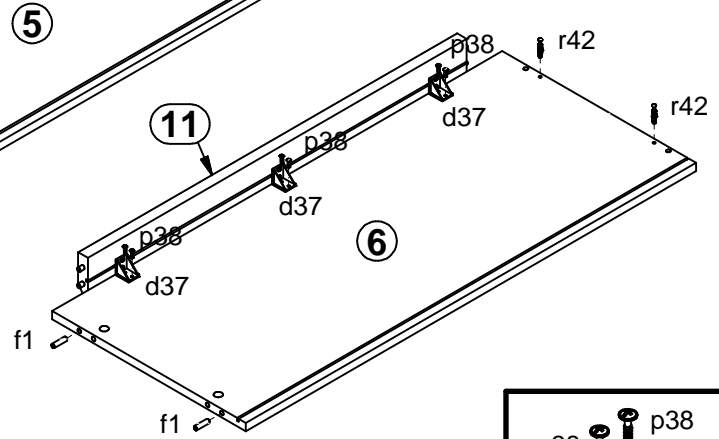
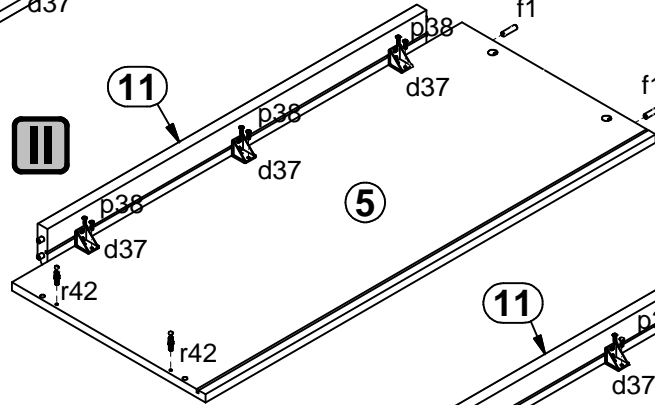
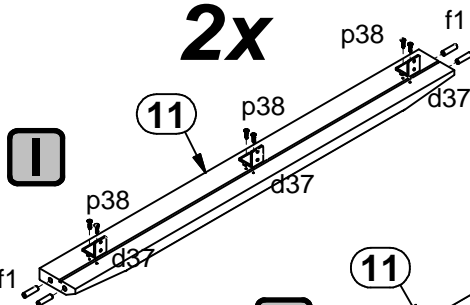


| | | | | | | | | |
|------------------|--------------------------|------------------------|---------------------------|-------------------------------|----------------------|--------------------------|-----------------------|-------------------------|
| 4x M4 c415 | 10x d37 | 4x Ø7x50 mm e1 | 32x Ø6x13 mm e3 | 24x Ø8x30 mm f1 | 8x Ø6x30 mm f9 | 16x Ø6.5x40 mm f25 | 4x M4x22 mm j30 | 4x k125 |
| 10x l2 | 56x Ø3.5x16 mm p38 | 12x Ø5x18 mm e58 | 8x Ø15x12 mm #16 r1 | 16x Ø12x10.5 mm #12 r15 | 24x 20/11 r42 | 4x 350 mm W117/L | 4x 350 mm W117/P | |
| | | | | | | 1x 4 mm z1 | 1x n26/l1 | 1x Ø3.5x16 mm p38 |

1  

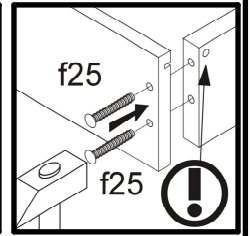
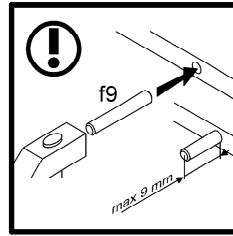
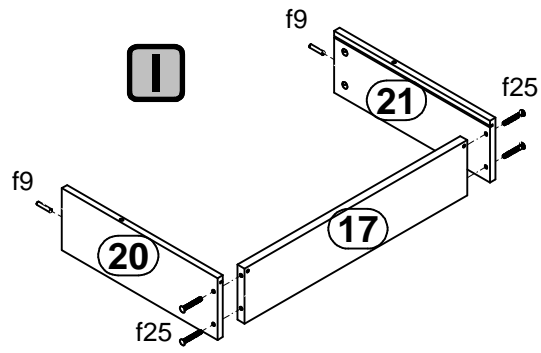


2x

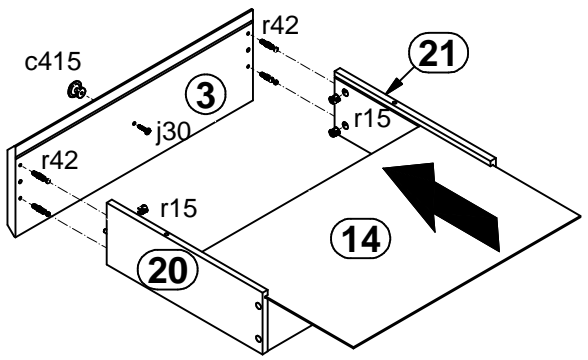
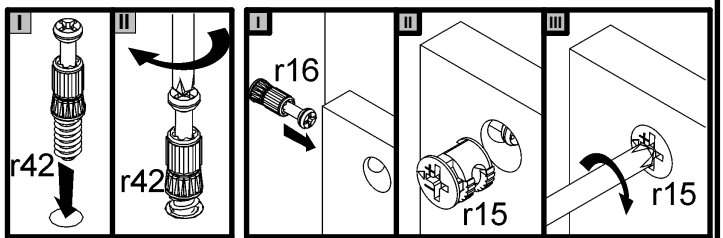
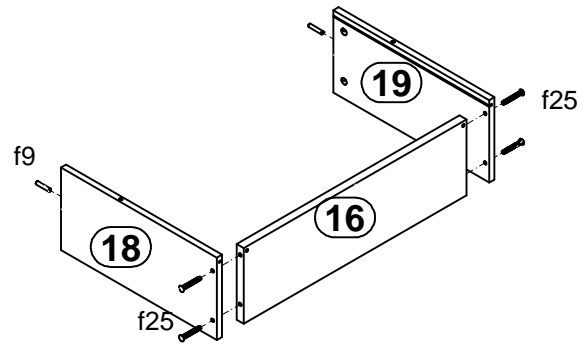
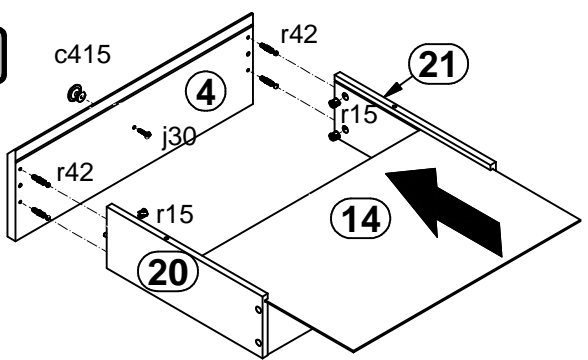


2

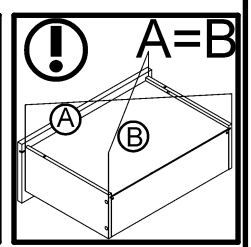
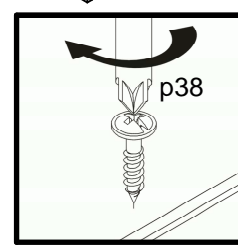
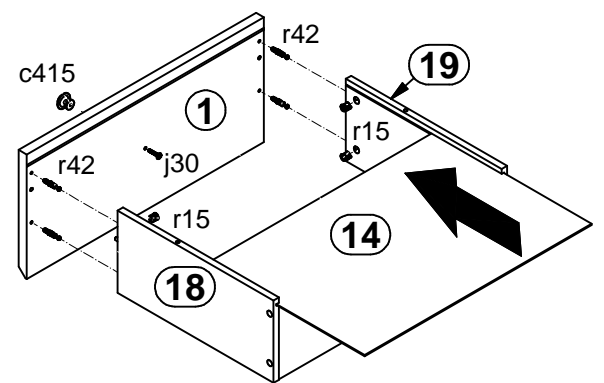
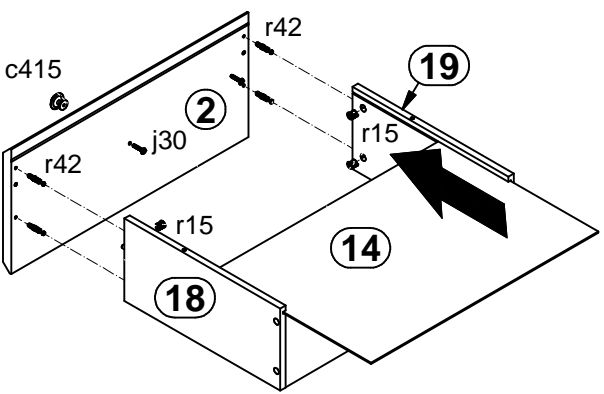
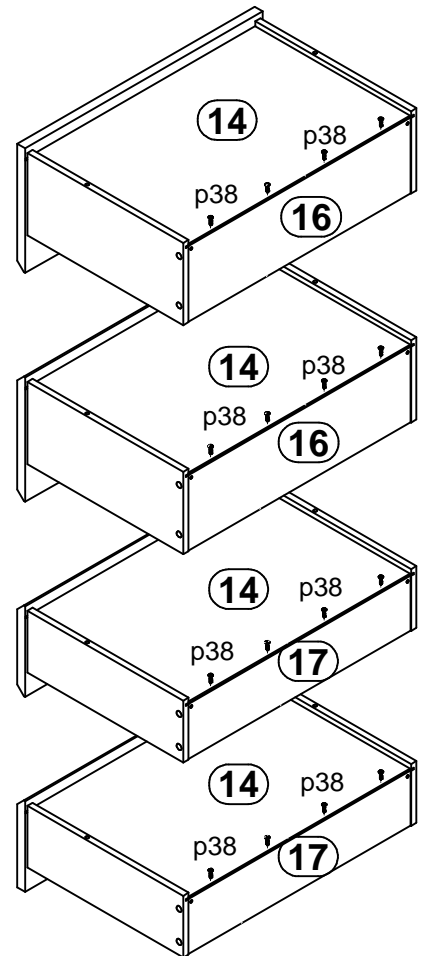
I



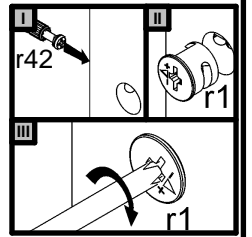
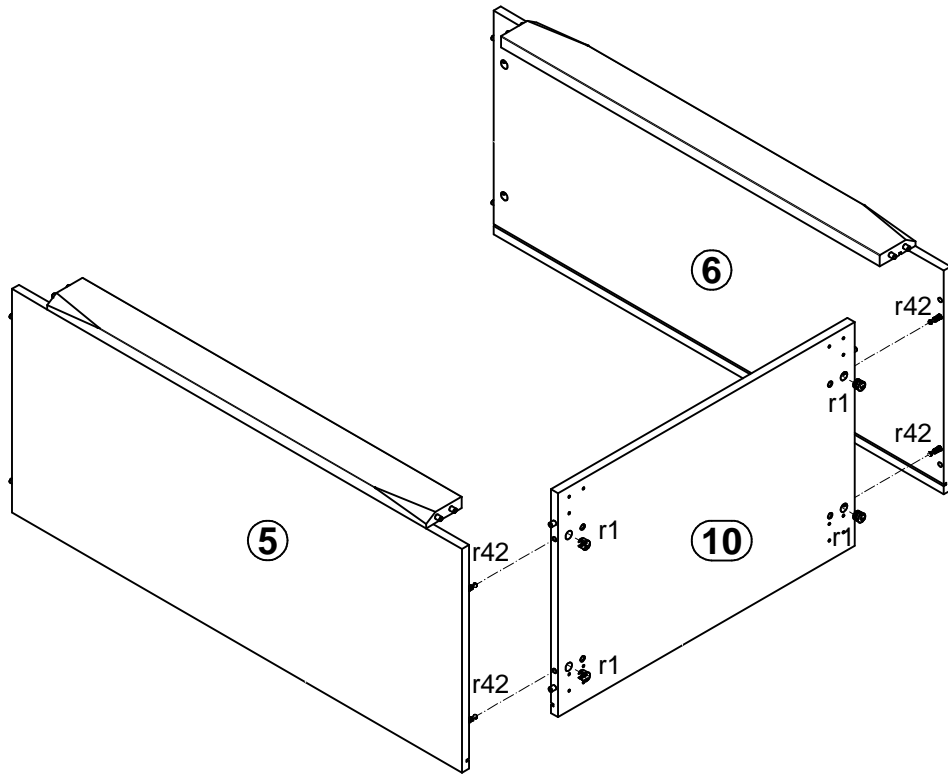
II



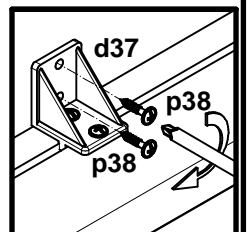
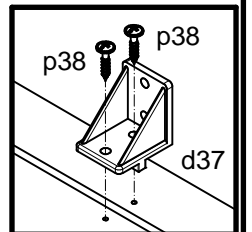
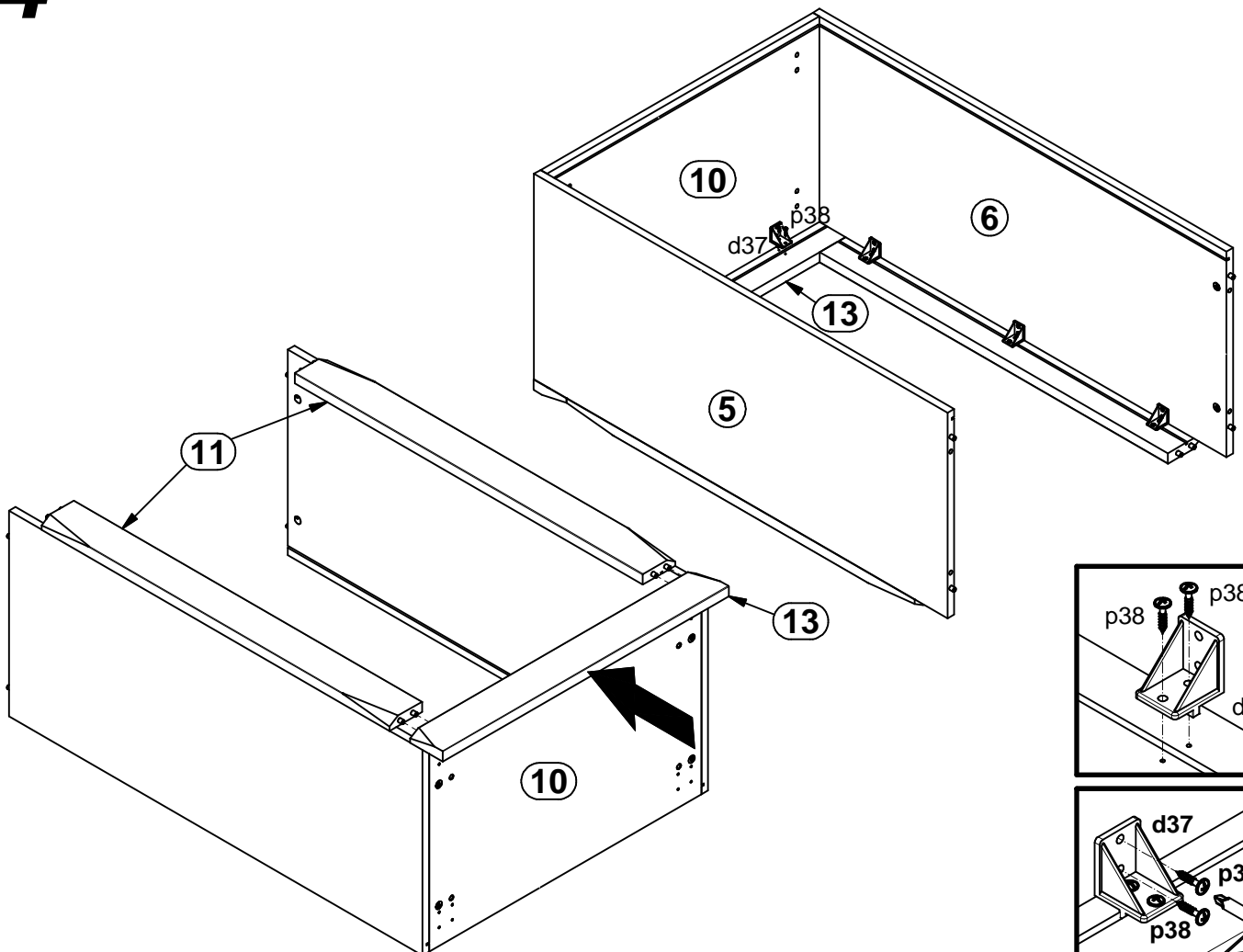
III



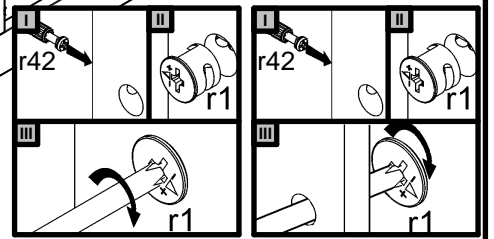
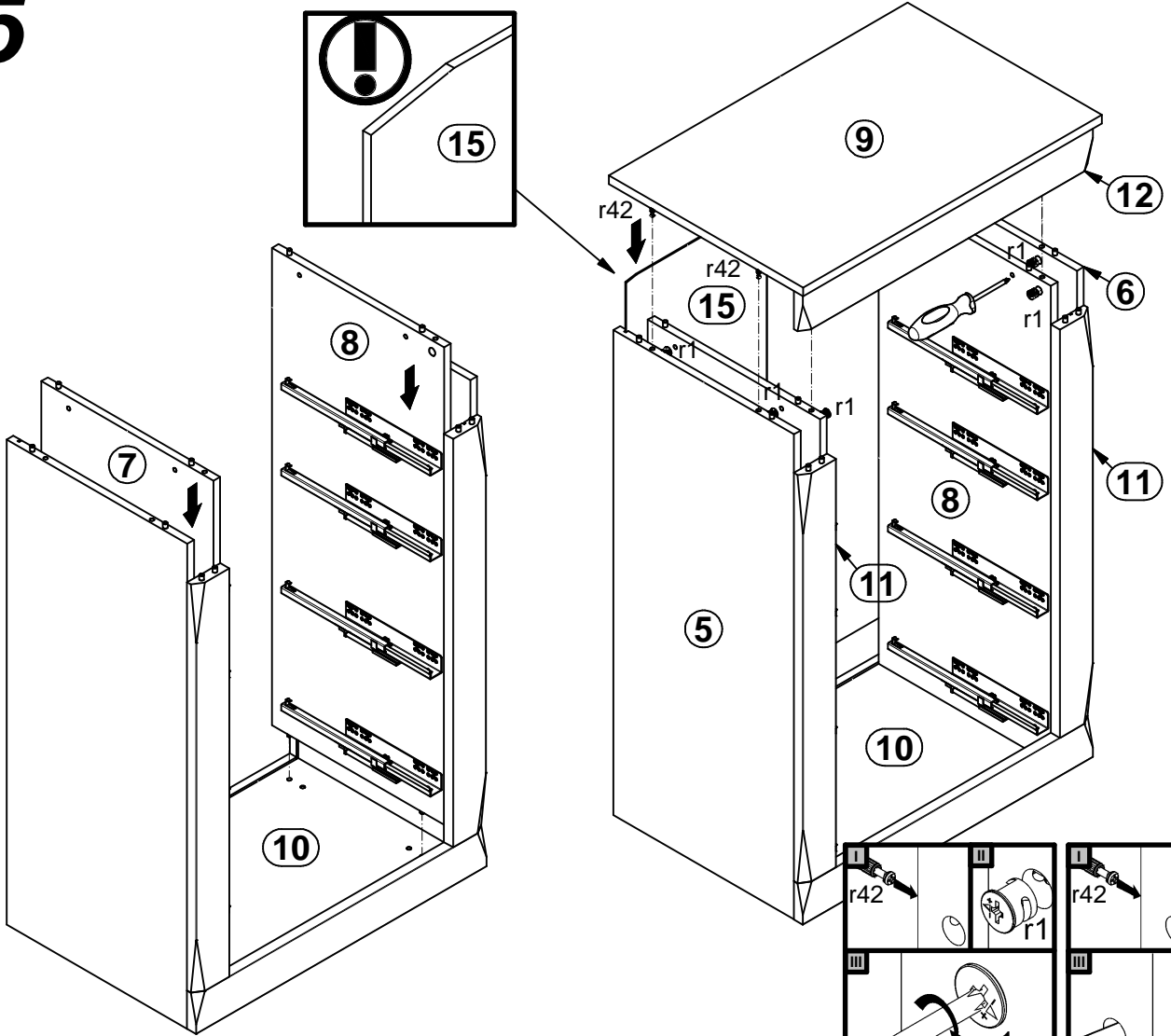
3



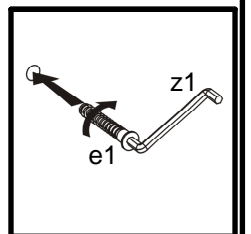
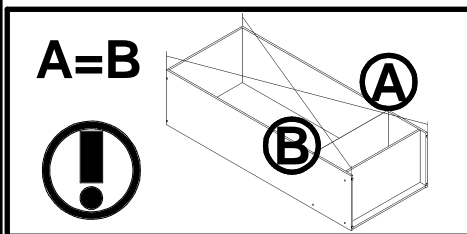
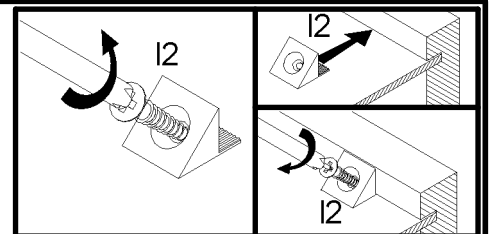
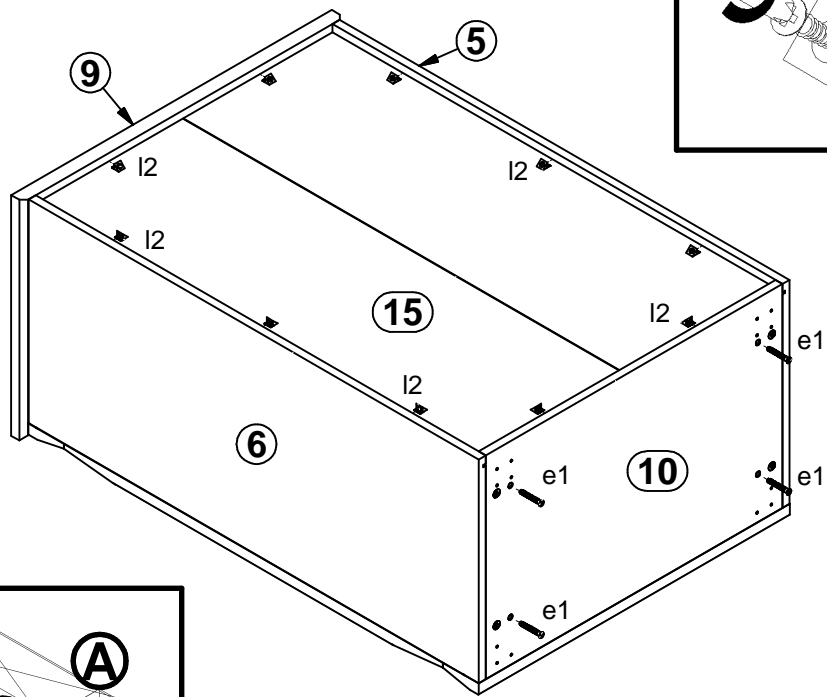
4



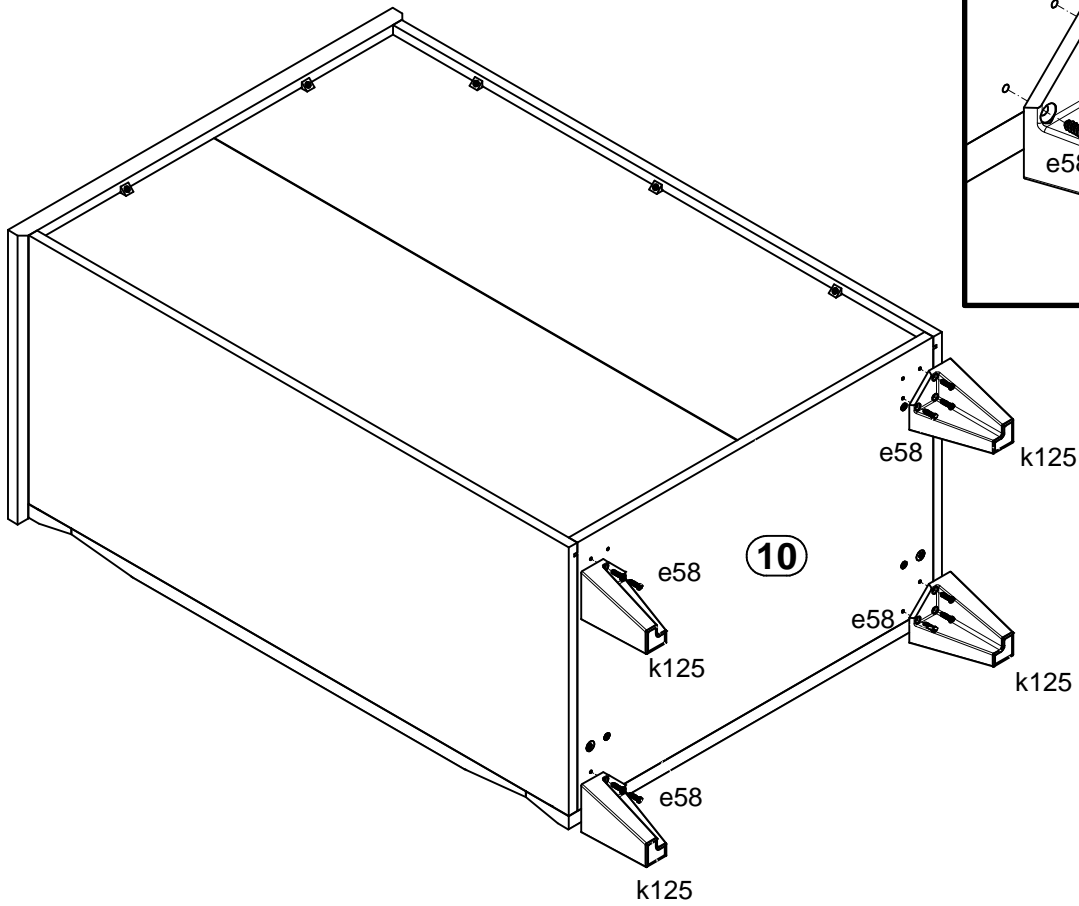
5



6



7



8

